

A masterpiece of function and design



**KNOW
HOW**
INSTALLED

New

Geberit AquaClean Mera

A masterpiece of function and design



The new Geberit AquaClean Mera raises the bar in every respect, offering the highest standards in terms of technology, design and comfort. And when it comes to installation and maintenance, professionals will immediately discern that genuine sanitary experts were involved in this product's development. Designed by Christoph Behling, the new shower toilet from Geberit blends emphatically yet harmoniously into any bathroom environment.

The Geberit AquaClean Mera is filled to the brim with revolutionary technology. This product is the first to feature the patented WhirlSpray shower technology: a pulsating shower spray, enhanced with dynamic aeration, which ensures a particularly thorough and gentle clean while saving water in the process.

The hybrid hot water system, which consists of a combination of a continuous flow heater and a storage water heater, provides an immediate and continuous supply of hot water.

The innovative TurboFlush flush technology combined with the asymmetrical inner geometry of the rimless ceramic pan developed by Geberit – another hallmark of the AquaClean Mera – makes it possible to flush out the toilet extremely thoroughly and quietly.

Additional functions such as a discreet light for orientation at night, a WC lid that opens and closes automatically, a WC seat made of high-quality duroplast with a fast-activating WC-seat heating system and odour extraction round off this product's convenient features.

The Geberit AquaClean Mera truly is a masterpiece of function and design.

← The Geberit AquaClean Mera is available with a white or chrome-plated design cover.

Well-being

How does it work? Simple!



WhirlSpray shower technology

The patented WhirlSpray shower technology, used here for the first time, features two nozzles and ensures an extremely targeted and thorough clean. This is made possible by a pulsating shower spray that is enhanced by dynamic aeration. The benefits are impressive: a more intense clean and a pleasant shower experience with reduced water consumption.

TurboFlush flush technology

The innovative TurboFlush flush technology, combined with the ceramic pan's asymmetrical inner geometry developed by Geberit, enables the toilet to be flushed out extremely thoroughly and quietly. All this requires is a lateral opening and optimal flush water flow guidance. The high-quality ceramic pan is finished with a special surface coating to prevent any build-up of dirt. Inaccessible areas are kept to a minimum, while edges and corners have been dispensed with completely.



Remote control

The remote control has a clear display and sits comfortably in your hand. All the input can be entered with just one hand, and all it takes is a click of a button to call up your personal water temperature, spray intensity and spray arm position settings. You can check adjustments to the detection range of the proximity sensor and other profile settings using the display on the back of the remote control and change them via a menu.

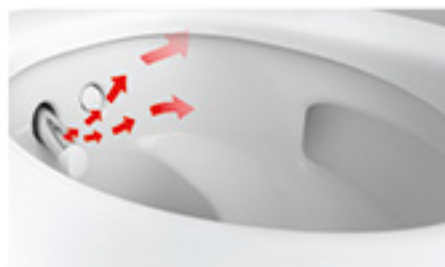


- 1 Remote control 
- 2 Touchless automatic mechanism for the WC lid 
- 3 WhirlSpray shower technology 
- 4 Lady wash 
- 5 Dryer 
- 6 WC-seat heating 
- 7 TurboFlush flush technology 
- 8 Odour extraction 
- 9 Orientation light 



Lady wash

The separate lady wash offers a particularly soft shower spray. Its nozzle is integrated into the spray arm, keeping it hygienically protected even when not in use.



Dryer

The dryer arm extends independently from the spray arm and automatically aligns itself with the position of the spray to ensure an optimal drying performance. The intelligent dryer functionality takes into account the change in the skin's sensitivity to heat as it dries.



Odour extraction

Automatically activated, low-noise odour extraction eliminates unpleasant odours right where they come from: in the ceramic pan. The air in the ceramic pan is purified by a long-lasting ceramic honeycomb filter.

Well-being

Installation made easy



Simplicity throughout

Given the virtually unlimited possibilities offered by Geberit's installation technology, there are hardly any building scenarios in which a Geberit AquaClean Mera could not be installed. Geberit's standard connection dimensions ensure that the shower toilet is compatible with all prewall systems as well as the Monolith sanitary modules.

The advantages of this consistent, systematic approach are evident right from the project planning stage: apart from ensuring that there is a power supply connection, no extra planning effort is required.

Since all Geberit AquaClean shower toilets come with an integrated mechanism that separates them from the drinking water system, there is no need to install any extra appliances to ensure absolute compliance with the EN 1717 and EN 13077 drinking water standards.

What's more, the Geberit AquaClean Mera's touchless actuator plates, such as the Geberit Sigma80 and Sigma10 models, can be powered by a direct power supply. The superb coordination with Geberit's prewall systems mean that the sanitary and electrical installations can be carried out independently of one another.

Simple to mount

Despite boasting an overall weight of over 30 kg, the Geberit AquaClean Mera can easily be assembled by a single skilled person. This is thanks to a cleverly

thought-out packaging concept with an integrated mounting aid, which is designed to help position the device without excessive force. The pre-mounted sound insulation tape on the metal frame also helps make installation easy.

All the technology, the fastening to the wall and the water and power supply connections are hidden away behind an elegant cover made of high-quality plastic. This can easily be removed to allow plumbers and service technicians ample access to all the components.

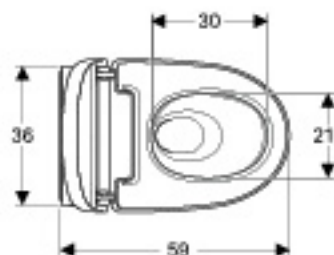
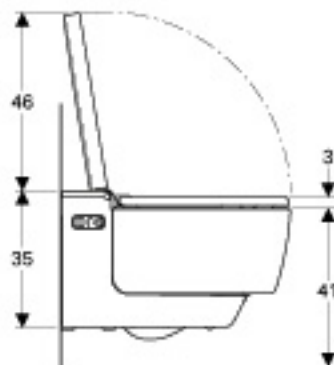
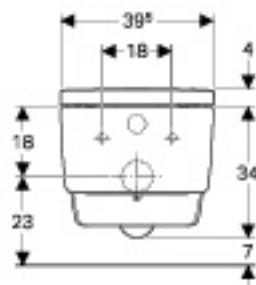
Simply clean and reliable

The new Geberit AquaClean Mera shower toilet is specifically designed so that its ongoing care and maintenance can be carried out directly and easily by the customer.

The easily removable spray nozzle makes cleaning simple and is easy to replace from time to time, while the fully automatic descaling programme keeps all water-bearing parts free from limescale deposits.

The display on the remote control indicates when the shower toilet needs to be descaled.

In the event of a malfunction, a diagnosis tool helps the service technician pinpoint the cause of the problem.



→ www.geberit.co.uk/movies

-
- A first-class complete solution
 - WhirlSpray shower technology for a soft, vitalising shower spray
 - Rimless ceramic pan with TurboFlush flush technology for thorough flushing out
 - Hybrid hot water system for an immediate and continuous supply of hot water
 - Discreet orientation light in colours that can be programmed individually
 - WC lid opens and closes automatically
 - Ergonomic and heatable duroplast WC seat
 - Separate lady wash
 - Odour extraction
 - Dryer
 - Remote control
 - Hidden connections and easy installation
 - Geberit AquaClean Mera Comfort, bright chrome-plated: 146.210.21.1
 - Geberit AquaClean Mera Comfort, white alpine: 146.210.11.1
 - Available from September 2015

Geberit Vertriebs AG
Schachenstrasse 77
CH-8645 Jona
T + 41 55 221 61 11
F + 41 55 212 42 69
sales.ch@geberit.com

→ www.geberit.co.uk