



Specification Manual

Every product you'll ever need

Contents

Introduction	3	Washbasins	50	Urinals	163
Key to logos	4	Standard	51	Division	170
Sector logos	5	Medical	65	Systems & cisterns	171
Water saving	6	Countertop	69	Wastes	173
Rimfree®	8	Semi-recessed	70		
Odourwise™	10	Total install®	72	Fireclay	174
Twyford website	12	Accessories	73	Sinks	175
SpecMaster online	13			Trough	177
Key contacts	14	Baths	74	Fittings	178
Regulations & standards	15	Acrylic	75		
Our guarantee	17	Steel	84	Stainless steel	179
		Panels	92	Sinks & troughs	180
		Wastes	96	Hoppers	192
WCs	19			WC & urinal	195
Close coupled	20	Taps & mixers	97	Janitorial units	196
Back-to-wall	27	Standard	98	Drinking fountains	197
Wall-hung	37	Accessories	123	Fittings	200
Low level	38	Specialised	124		
Squatting pan	40			Less able	201
Fittings	41	Shower Trays	155	Doc.M packs	202
Concealed cisterns	42	Trays	156	Support items	230
Seats	45	Tray accessories	162		

Twyford have led the way in bathroom design for over 160 years. With outstanding quality, great looks and innovative features, Twyford offer a comprehensive range of products to suit any application.

This specification manual is designed to guide you through our entire portfolio of products, making it simple to specify the right products for each job. It's divided into product section and on each page colour coded logos indicate which sector the product is suitable for (please refer to page 5 for details). Each page contains all the appropriate product information including approvals.

Clever thinking

Twyford are constantly introducing innovative, market leading ideas to make the bathroom experience even better - like the first ever Rimfree® toilet and the water saving Flushwise® system.

Clever technology and smart design features.

Great experience

Twyford have been leaders in bathroom design for over 160 years with a reputation for guaranteed quality and superb performance along the way.

Experienced team

The Twyford team are on top of their game - from design and production to marketing and merchandising. From customer service to after sales, we're all dedicated to delivering the very best in products, service and support.

Good looks

Twyford bathroom ranges don't just perform superbly, they look terrific too. Form and function combine to create style statements for the modern bathroom. Practical and durable, smart and stunning. The perfect solution, every time.



Key to logos



Twyford's water saving dual flush 4/2.6 litre cistern system. **Please refer to pages 6 - 7.**



A toilet that has no rim meaning there is nowhere for germs to hide and making it easier to clean. **Please refer to pages 8 - 9.**



A revolutionary development in waterless urinal technology to eliminate odours. **Please refer to page 10.**



The European Water Label (EWL) is designed to help easily identify water efficient products, which when installed and used correctly will use less water and save energy and money, compared to other products available in the market. Please visit the European Water Label website: **www.europeanwaterlabel.eu** for more information.



A range of Twyford products are registered for the DEFRA Enhanced Capital Allowance Schemes (ECA). Water technology list for efficient toilets. Please visit the DEFRA website: **www.eca-water.gov.uk** for more information.



TMV2 is an accreditation for thermostatic mixing valves that conform to BS-EN 1111 and 1287. Reliable thermal safety performance for domestic bath shower or bidet use.



TMV3 is a standard created for thermostatic mixing valves in healthcare and commercial areas that have enhanced thermal safety performance and comply with NHS Estates requirements specification DO8.

Our sectors



Healthcare



Education



Hotels



Commercial



Less Able



Residential



Co-operative Group HQ, Manchester

This landmark building was awarded the highest ever BREEM rating and was officially opened by the Queen on 14th November 2013. Twyford are delighted to have been involved in this momentous development, constituting the World's most environmentally-friendly building.

Good looks & great water saving ideas

Twyford lead the way in water saving innovation throughout the bathroom. With us, it's not an afterthought - everything is designed with water use reduction in mind.

Outperforming the regulations

The problem of water scarcity is increasing globally. Current usage is unsustainable, and water saving is a key element in planning for new developments. At Twyford, we design with this in mind. It's not an afterthought, it's an inspiration. Our innovative, market leading products conform to and outperform regulations, reducing water consumption dramatically, with no compromise on functionality and style.

The European Water Label

All Twyford toilets and many other Twyford products are registered and therefore listed by the European Water Label (EWL). The European Water Label is designed to help easily identify water efficient products, which when installed and used correctly will use less water and save energy and money, compared to other products available in the market.

Please visit the European Water Label website: www.europeanwaterlabel.eu for more information.



Waterwise

Twyford were the pioneers of Flushwise®, the dual flush 4/2.6 litre technology for toilets that has since become widely adopted across the UK bathroom industry, it is for this product that Twyford received the Waterwise Marque back in 2007. The Waterwise Marque - the first scheme in the UK to highlight water efficient products. It is awarded annually to products which reduce water wastage or raise awareness of water efficiency. Please visit the Waterwise website: www.waterwise.org.uk for more information.





Opal

130
litre



Toilets

More than half (63%) of our daily water consumption at home originates from the bathroom and toilet.

Twyford have been leading the way in reducing toilet flush volumes. We have revolutionised the field by pioneering the unique Flushwise® dual flush push button toilet. Flushwise® toilets use 4 or 2.6 litres each flush, that's 60% less water than a standard toilet and is also available on concealed cisterns.

Taps & mixers

X50, X52, X60, X62, X70, X120 taps, mixers and shower valves can be fitted with flow regulators to reduce the rate of water flow. Turn off the tap when cleaning your teeth, soaping hands and shaving. A running tap uses up to 9 litres of water per minute.

Baths

Twyford's Celtic steel bath has a capacity of just 140 litres, that's an estimated 35% water saving compared to a typical standard size bath. The Opal acrylic 1700 x 700mm bath is also available in a water saving option, with a low volume capacity of only 130 litres to overflow.

Urinals

Our waterless urinals are able to flush at 1 litre for an energy saving water efficient solution. They have an electronic times flush and are low maintenance and easy to care for.



Clean, green & stylish

The revolutionary Rimfree® toilets are available across our Twyford collections. There's no rim so there's nowhere for germs and dirt to hide. Light on cleaning. Light on water usage. Good looking too. Simple. But brilliant.

Visit www.twyfordbathrooms.com for more details on Rimfree®

Clean

With no concealed rim, there's nowhere for germs to hide, so the toilet is not only hygienic, it's smarter and easier to clean, too.

Green

The alcona rimfree toilet is now available with Twyford's unique Flushwise® 4 and 2.6 litre dual flush technology, using up to 60% less water than a standard toilet.

Stylish

Rimfree® toilets are available across five best-selling Twyford collections - all with cool, contemporary design and a wide range of options including washbasins, bidets and furniture, co-ordinating to create a complete look for every bathroom environment.



Twyford waterless systems



Twyford waterless systems

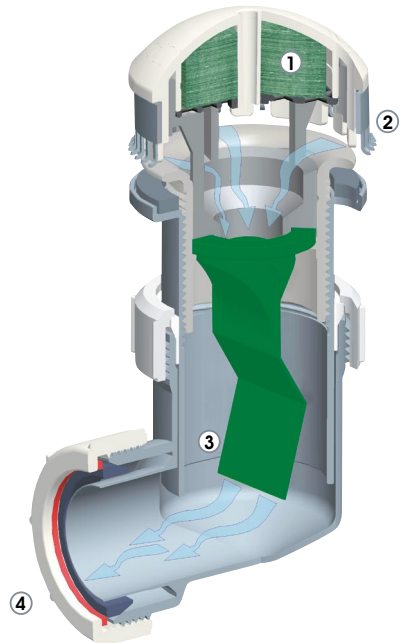
Urine passes through the replaceable Twyford waterless system Odourwise™ cartridge, where the malodour counteractant tackles smells immediately. Friendly bacteria in the cartridge break down the uric salts, preventing the build-ups that cause blockages and as there's no water, there's no lime scale build-up either. The valve also acts as a physical barrier to prevent odours coming back through the bowl.

With no odours, no blockages and no flooding, it creates a healthier, more hygienic and pleasant environment for the user, while saving water and money throughout the system.

1. Cartridge
2. Debris catcher
3. Hygiene seal
4. Plumbing system

Features and benefits:

- Combination of microbes penetrate uric salts (making them soluble)
- Lime scale inhibitors
- Malodour counteractants overcome unpleasant smells above the urinal bowl
- Valve is non porous
- Replaces trap with a closed system
- Speeds up continuity of the flow
- Valve also acts as a physical barrier to prevent odours coming back through the bowl
- Has anti-siphonic and natural air admittance properties
- Cartridge recyclable
- Made of virgin polypropylene
- Can be disposed of in standard waste bin



Waterless systems installation package includes:

- Waste, valve & trap
- Tap hole cover
- White cartridge
- Waste key
- Flexi hose
- Valve assembly key



Twyford website

www.twyfordbathrooms.com

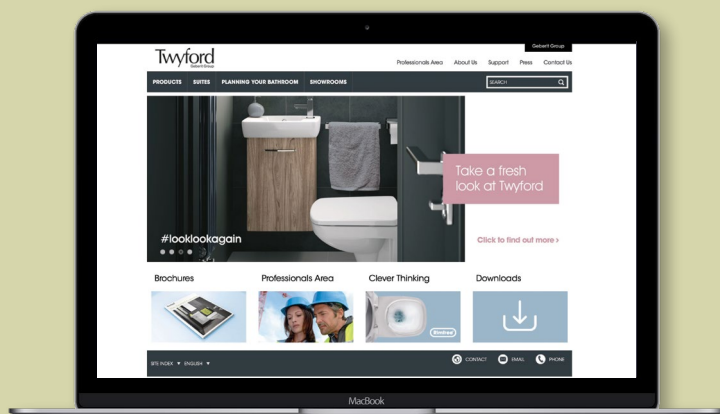
The Twyford Website has a dedicated area for industry professionals, including the innovative SpecMaster online product specification tool www.specmasteronline.com for use by architects, designers, specifiers and contractors.

A central download area www.twyfordbathrooms.com/professionals-area/downloads allows users to access and download Twyford technical files including:

- Product sheets (these are the pages in this document)
- Technical drawings
- 2D Files
- 3D Files
- Certificates (approvals)
- BIM Files

Multiple filters are also available to further refine downloads.

Twyford Professionals area also includes links to information on DOP and CE Marking and lists key strategic partners.



SpecMaster online

Register today for FREE at www.specmasteronline.com

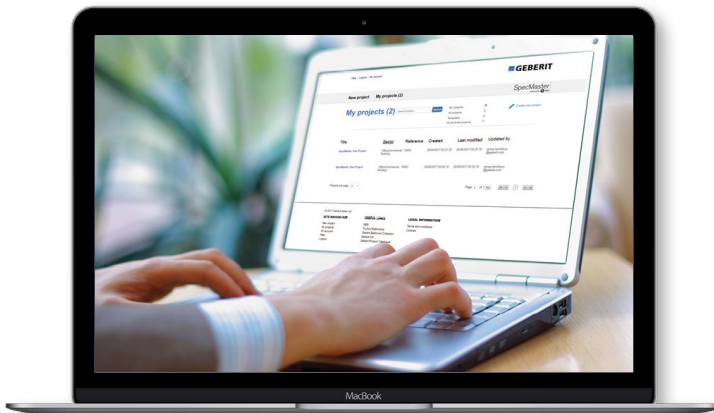
The ultimate online sanitaryware specification tool

Design and innovation are key to Twyford Bathrooms in enabling the company to meet the evolving demands of its customers and the wider market.

As a leading global bathroom manufacturer, Twyford, Part of the Geberit Group, continues to invest a significant level of resources in research and development, and this venture is a collaborative partnership with the National Building Specification (NBS), part of RIBA Enterprises. Together we have created SpecMaster, an online specification tool for architects, designers, specifiers and contractors.

Summary of key features and benefits:

- An intuitive and user-friendly tool that allows users to create and manage projects online with no software installation required
- Free registration www.specmasteronline.com
- Opportunity to share projects with colleagues securely from any internet access point
- Improved browsing and search functionality that enables accurate product choices as well as complete and compatible specifications
- Easy access to Twyford and Geberit Ceramics product portfolio, backed and powered by NBS
- Opportunity to produce and download essential specification documents and material
- Compatible with NBS standards



Key Contacts

Registered office

Edgehill Drive, Warwick, Warwickshire CV34 6NH

Website

www.twyfordbathrooms.com

General enquiries

Tel: 01926 516800 Fax: 01926 400101 Email: enquiries@geberit.co.uk

Technical helpline

Tel: 01926 516800 Fax: 01926 400101 Email: technical@geberit.co.uk

To order a brochure

Tel: 0800 007 5133 Email: twyford@web-response.co.uk



Regulations & Standards

The following information gives references and sources for UK Regulations and Standards for sanitary provision in commercial and domestic buildings.

These may not be applicable in countries and regions other than the UK and may differ between England, Wales, Scotland & Northern Ireland.

The requirements for the provision of sanitary fittings are, in general, governed by the UK Building Regulations. These, in turn, relate to British and European standards. For some applications specific guidance documents may be relevant e.g. Healthcare.

Twyford has invested heavily in product development and can guarantee that the sanitary ware it supplies fully complies with regulations. All Twyford WCs pass the UK flush test (EN997 Class 2), one of the most stringent flush tests in Europe.

Building Regulations, England and Wales

The Building Regulations for England and Wales exist principally to ensure the health and safety of people in and around buildings. They also provide for access to and around buildings.

The regulations apply to most new buildings and many alterations of existing buildings, whether domestic, commercial or industrial.

The following building regulations refer to sanitary ware, further information is available at:

www.planningportal.gov.uk

- Building Regulations Part G - Sanitation, Hot water safety & Water efficiency
- Building Regulations Part H - Drainage and waste disposal
- Building Regulations Part M - Access and use of buildings

Building Regulations, Scotland

The following website is a useful source for the details of the regulations:

www.gov.scot/Topics/Built-Environment/Building/Building-standards

Building Control Northern Ireland

The following website is a useful source for the details of the regulations:

www.buildingcontrol-ni.com/regulations

Water Regulations

The Water Supply (Water Fittings) Regulations 1999 are applicable to England and Wales. In Scotland they are known as The Water Byelaws and are there to protect the public water supply from waste, misuse, undue consumption and contamination.

LABC (Local Authority Building Control)

LABC represents all local authority building control teams in England and Wales. Members work cooperatively with building owners, home owners, architects, plan drawers, developers, building contractors and other professionals to ensure buildings are safe, healthy and efficient to meet the standards set by the building regulations.

Twyford utilises the LABC registration scheme for approval and compliance of our less abled washroom facilities according to Part M of the building regulations. This ensures acceptance by all local authorities and makes the building approval process easier.

Healthcare (Health Building Notes)

Issued by the Department of Health, Health Building Notes give best practice guidance on the design and planning of new healthcare buildings and on the adaptation/extension of existing facilities.

They provide information to support the briefing and design processes for individual projects in the NHS building programme.

HBN 00-10 Part C / HTM64

This Health Building Note (HBN) outlines the policy and performance requirements for sanitary assemblies used in healthcare facilities. These requirements are a set of essential standards of quality and safety that sanitary assemblies must comply with. It supersedes Health Technical Memorandum 64 (England only).

For further information visit: www.gov.uk/dh and search for 'health building notes' and 'health technical memoranda' to open the full series.

Code for sustainable homes

Following the technical housing standards review, in March 2015 the government issued a written ministerial statement withdrawing the code for sustainable homes, aside from the management of legacy cases.

Legacy cases are:

- those where residential developments are legally contracted to apply a code policy (e.g. affordable housing funded through the National Affordable Housing Programme 2015 to 2018, or earlier programme)
- where planning permission has been granted subject to a condition stipulating discharge of a code level, and developers are not appealing the condition nor seeking to have it removed or varied

In these instances only it is possible to continue to register code cases and conduct code assessments.

The code for sustainable homes was the national standard for the sustainable design and construction of new homes. It aimed to reduce carbon emissions and promote higher standards of sustainable design above the current minimum standards set out by the building regulations

The code used a 1 to 6 star system to rate the overall sustainability performance of a new home against 9 different categories of sustainability.

BREEAM (Building Research Establishment Environmental Assessment Methodology)

First published by the Building Research Establishment (BRE) in 1990, BREEAM is the world's longest established method of assessing, rating, and certifying the sustainability of buildings.

BREEAM works to raise awareness amongst owners, occupiers, designers and operators of the benefits of taking a sustainability approach. It helps them to successfully cost and effectively adopt sustainable solutions, and provides market recognition of their achievements.

BREEAM assessment covers a range of criteria including Energy and Water.

Regarding water the aim of the assessment is to reduce the consumption of potable water for sanitary use in new buildings from all sources through the use of water efficient components and water recycling systems including WCs, Urinals, Taps & Showers.

For more information visit: www.breeam.com

Our guarantee

- 1.1** This product guarantee is given by Geberit Sales Ltd (a company registered in England and Wales with company number 06142557 with its registered address at Geberit House, Edgehill Drive, Warwick, England, CV34 6NH) and applies to Geberit products purchased within the United Kingdom (guarantee area).
- 1.2** Consumers have statutory rights under the laws of England and Wales in relation to the sale and purchase of goods, and these statutory rights shall not be adversely affected by this guarantee.
- 1.3** Geberit guarantees that on purchase by the customer of a Geberit product, and for a period of 12 months from the date of purchase (or such other period as set out in paragraph 2 – 4 below) (guarantee period), the products shall:
 - 1.3.1** conform in all material respects with their description;
 - 1.3.2** be free from material defects in design, material and workmanship;
 - 1.3.3** be of satisfactory quality (within the meaning of the Consumer Rights Act 2015); and
 - 1.3.4** be fit for any purpose held out by Geberit.
- 1.4** Subject to paragraph 1.5, if:
 - 1.4.1** the customer gives notice in writing to Geberit (either by email to technical@geberit.co.uk or by letter to its registered address) during the guarantee period and within a reasonable time of discovery that some or all of the products do not comply with the guarantee set out in paragraph 1.3.
 - 1.4.2** Geberit is given a reasonable opportunity of examining such products; and
 - 1.4.3** the customer (if asked to do so by Geberit) returns such products to Geberit's place of business at the customer's cost, Geberit shall, at its option, repair or replace the defective products, or refund the price of the defective products in full.
- 1.5** Geberit shall not be liable for any products' failure to comply with the guarantee set out in paragraph 1.3 in any of the following events:
 - 1.5.1** the customer makes any further use of such products after giving notice in accordance with paragraph 1.4;
 - 1.5.2** the defect arises because the customer failed to follow Geberit's oral or written instructions as to the storage, commissioning, installation, use and maintenance of the products or (if there are none) good trade practice regarding the same;
 - 1.5.3** the defect arises as a result of Geberit following any drawing, design or specification supplied by the customer;
 - 1.5.4** the customer alters or repairs such products without the written consent of Geberit;
 - 1.5.5** the defect arises as a result of fair wear and tear, wilful damage, negligence, or abnormal storage or working conditions;
 - 1.5.6** with applicable statutory or regulatory requirements.
- 1.6** The events in paragraph 1.5 above shall apply to any repaired or replacement products supplied by Geberit.
- 1.7** Except as provided in this paragraph 1, Geberit shall have no liability to the customer in respect of the products' failure to comply with the guarantee set out in paragraph 1.3.

Our guarantee

Bathroom Systems

The guarantee period under paragraph 1.3 shall be amended as set out below for the following products:	
Product	Guarantee period
Ceramics	10 years
Shower enclosures	10 years (2 years on glass coating)
Steel bathtubs	10 years
Acrylic bathtubs	10 years
Shower trays	10 years
Brassware	5 years
Furniture	2 years
Seats and covers	2 years
Fittings	2 years
Stainless steel	2 years
Varicor	2 years
Electrical components	2 years
Accessories	2 years

WCs



alcona

environmentally friendly 4/2.6 litre dual flush
co-ordinatingalcona range



Alcona flushwise WC suite, horizontal outlet

to specify/order:

Please use the product reference shown below.

wc pan

Horizontal outlet
Bottom outlet

AR1148WH
AR1145WH

Flushwise® fitted cistern assembly with fittings:
Dual 4/2.6L flush, push button **AR2342WH**
(note: Cistern can be adjusted to 6/4L,
standard flush.)

seat and cover

Bottom fix stainless steel hinge
With soft closing mechanism

AR7815WH
AR7853WH

material

Vitreous china.

colour

White WH.

fixings

Install pan to floor fixing

SR1020XX

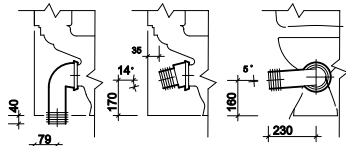
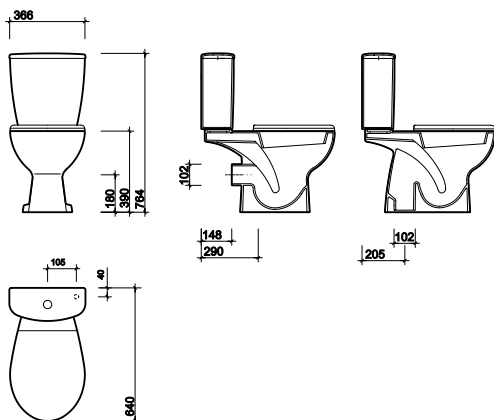
note

Variation in drainage systems may necessitate increasing the flush volume to ensure efficient drainline carry, this can be done post installation up to 6/4 litre max.

AWARDED

THE WATERWISE MARQUE

Best design WC for water reduction.



All measurements shown are in millimetres.
Drawing sizes are not to scale.



Hotels



Commercial



Residential

Twyford

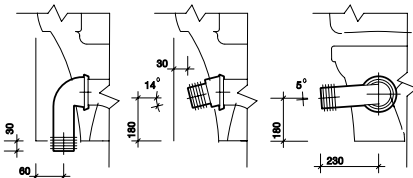
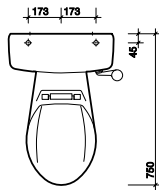
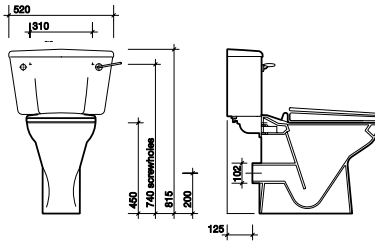
Geberit Group

avalon ho

ergonomically designed cistern lever
raised seating position for ease of use



Avalon close coupled washdown WC suite, horizontal outlet



All measurements shown are in millimetres.
Drawing sizes are not to scale.

to specify/order:

Please use the product reference shown below.

wc pan

Horizontal outlet **AV1168WH**
close coupled cistern and fittings, 6L: **AV2611WH**
BSIO, chrome plated lever **AV2711WH**
BSIO, with cover clip

seat and cover

25mm, chrome plated hinges **AV7840WH**

seat ring

Seat 25mm ring only **AV7881WH**
Seat 25mm ring only **AV7881BE**

material

Vitreous china.

colour

White WH.

fixings

Install pan to floor fixing **SR1020XX**
Cistern screwed to wall.



Hotels



Healthcare



Commercial



Residential



Less Able

Twyford

Geberit Group

avalon rimless ho

raised seating position for ease of use
4 litre flush to meet BREEAM specifications
fully shrouded to aid easy cleaning outside



Avalon rimless close coupled washdown WC suite, horizontal outlet

to specify/order:

Please use the product reference shown below.

wc pan

Horizontal outlet **AV1968WH**

Close coupled cistern and fittings 4 or 6L:

BSIO, chrome plated spatula lever **AV2661WH**

BSIO, chrome plated spatula lever and cover clip **AV2668WH**

seat and cover

With stainless steel top fix hinges

and stability buffers:

Grey **AV7865GY**

Blue **AV7865BE**

With stainless steel, bar hinge, top fix and stability buffers:

White **AV7875WH**

seat ring

With stainless steel bar hinge, top fix and stability buffers:

White

Grey

Blue

Red

AV7886WH

AV7886GY

AV7886BE

AV7886RD

material

Vitreous china.

colour

White WH.

fixings

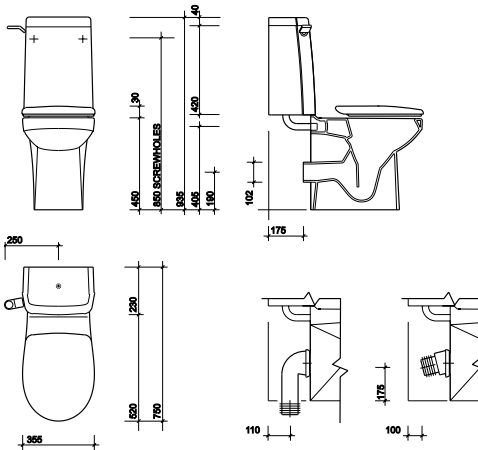
WC screwed to floor, cistern screwed to wall and fixed on wall brackets.

All fixings supplied.

note

Seat options supplied with stability buffers and standard front buffers.

Cistern is pre-set at 6 litres, to flush at 4 litres remove the blue plug from syphon.



All measurements shown are in millimetres.
Drawing sizes are not to scale.



Hotels



Healthcare



Education



Commercial



Residential



Less Able

Twyford

Geberit Group

option ho

choice of dual flush button or lever cisterns



Option close coupled washdown WC suite, horizontal outlet, with push button cistern



Option close coupled washdown WC suite, horizontal outlet, with lever cistern

to specify/order:

Please use the product reference shown below.

wc pan

Horizontal outlet

OT1148WH

Close coupled cistern and fittings:

dual flush 6/4L BSIO, push button

OT2396WH

Close coupled cistern and fittings:

dual flush 6/4L BSIO,
chrome plated lever

OT2421WH

Close coupled cistern and fittings:

6L BSIO, chrome plated lever

OT2361WH

seat and cover

Stainless steel hinges

OT7815WH

Plastic hinges

ST2810WH

material

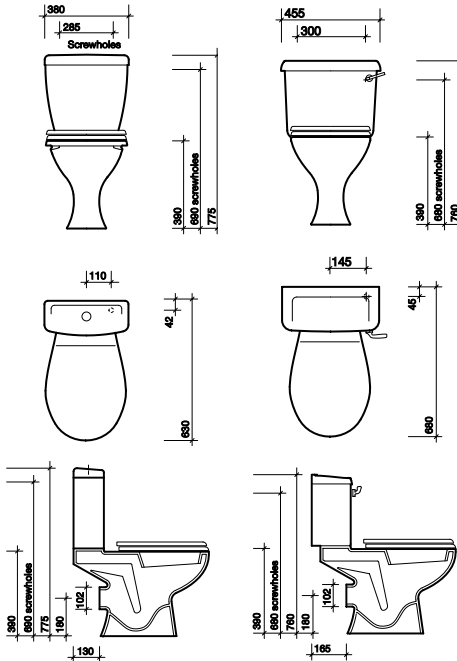
Vitreous china.

colour

White WH.

fixings

WC screwed to floor. cistern screwed to wall.



All measurements shown are in millimetres.
Drawing sizes are not to scale.



Hotels



Commercial



Residential

Twyford

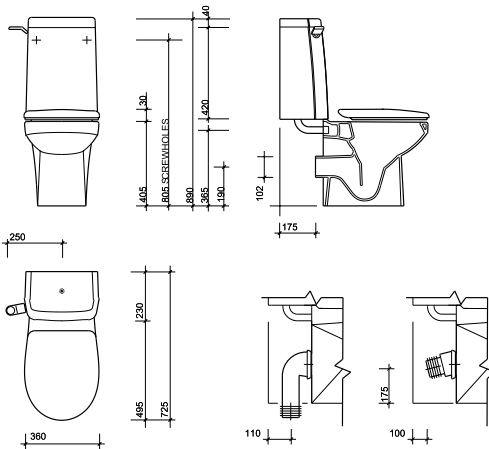
Geberit Group

sola rimless ho

4 litre flush to meet BREEAM specifications
 fully shrouded to aid easy cleaning outside
 rimless design to aid easy cleaning inside



Sola rimless close coupled washdown WC suite, horizontal outlet



to specify/order:

Please use the product reference shown below.

wc pan

Horizontal outlet

SA1968WH

*Close coupled cistern and fittings 4 or 6L:

BSIO, chrome plated spatula lever* **AV2661WH**

BSIO, chrome plated spatula lever
 and cover clip

AV2668WH

seat and cover

With stainless steel top fix hinges
 and stability buffers:

Grey

AV7865GY

Blue

AV7865BE

With stainless steel, bar hinge, top fix
 and stability buffers:

White

AV7875WH

seat ring

With stainless steel bar hinge, top fix
 and stability buffers:

White

AV7886WH

Grey

AV7886GY

Blue

AV7886BE

Red

AV7886RD

material

Vitreous china.

colour

White WH.

fixings

WC screwed to floor, cistern screwed to wall
 and fixed on wall brackets.

All fixings supplied.

note

Seat options supplied with stability buffers
 and standard front buffers.

Cistern is pre-set at 6 litres, to flush at 4 litres
 remove the blue plug from syphon.

All measurements shown are in millimetres.
 Drawing sizes are not to scale.



Hotels



Healthcare



Education



Commercial

Twyford

Geberit Group

sola school rimless 300 ho

4 litre flush to meet BREEAM specifications
fully shrouded outside & rimless to aid easy cleaning
left or right hand lever positioning



Sola school rimless 300 close coupled washdown WC suite

to specify/order:

Please use the product reference shown below.

wc pan

WC pan, horizontal outlet

SA1512WH

*Close coupled cistern and fittings 4 or 6L:

BSIO, chrome plated spatula lever* **AV2661WH**

BSIO, chrome plated spatula lever*
and cover clip

AV2668WH

seat

Open front seat ring with top fix
stainless steel hinged:

White

SA1304WH

Blue

SA1304BE

material

Vitreous china.

colour

White WH.

fixings

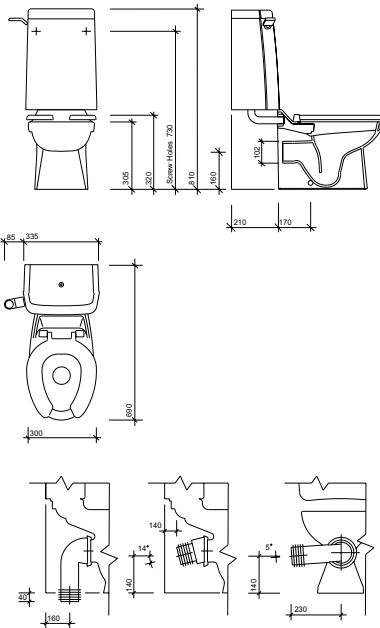
WC screwed to floor with fixings provided.

Cistern screwed to wall.

note

*Cistern is pre-set at 6 litres, to flush at 4 litres

remove the blue plug from syphon.



All measurements shown are in millimetres.
Drawing sizes are not to scale.



Education

Twyford

Geberit Group

sola school rimless 350 ho

4 litre flush to meet BREEAM specifications
fully shrouded outside & rimless to aid easy cleaning
left or right hand lever positioning



Sola school rimless 350 close coupled washdown WC suite

to specify/order:

Please use the product reference shown below.

wc pan

WC pan, horizontal outlet

SA1514WH

*Close coupled cistern and fittings 4 or 6L:

BSIO, chrome plated spatula lever* **AV2661WH**

BSIO, chrome plated spatula lever*
and cover clip

AV2668WH

seat

Full seat ring with top fix
stainless steel hinges:

White

SA1306WH

Blue

SA1306BE

material

Vitreous china.

colour

White WH.

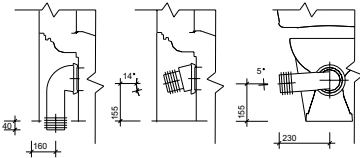
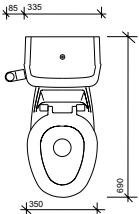
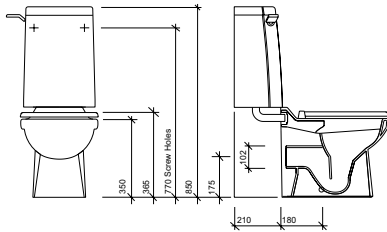
fixings

WC screwed to floor with fixings provided.

Cistern screwed to wall.

note

*Cistern is pre-set at 6 litres, to flush at 4 litres
remove the blue plug from syphon.



All measurements shown are in millimetres.
Drawing sizes are not to scale.



Education

Twyford

Geberit Group

alcona btw

environmentally friendly 4/2.6 litre dual flush
soft closing mechanism seat option available



Alcona back-to-wall WC suite

to specify/order:

Please use the product reference shown below.

wc pan

Horizontal outlet

AR1438WH

concealed cisterns

Refer to concealed cisterns matrix for list of lever cisterns. For push button cisterns please visit www.geberit.co.uk.

seat and cover

Bottom fix stainless steel hinge
With soft closing mechanism

AR7815WH

AR7853WH

material

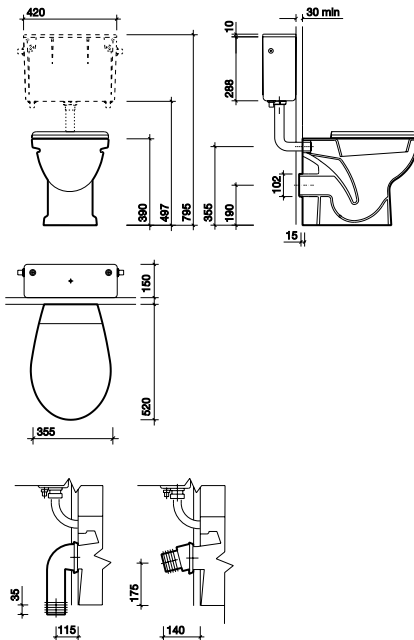
Vitreous china.

colours

White WH.

fixings

WC screwed to floor, and sealed to wall and floor using silicone building sealant (not provided).
cistern screwed to wall. Fixings supplied.



All measurements shown are in millimetres.
Drawing sizes are not to scale.



Hotels



Education



Commercial



Residential

Twyford

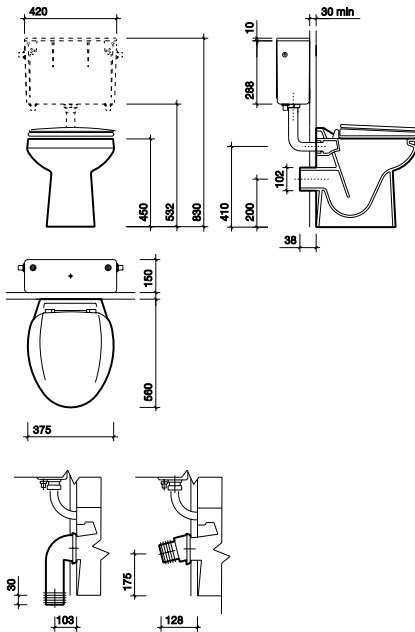
Geberit Group

avalon btw

raised seating position for ease of use
fully concealed plumbing



Avalon back-to-wall WC suite



All measurements shown are in millimetres.
Drawing sizes are not to scale.

to specify/order:

Please use the product reference shown below.

wc pan

Horizontal outlet

AV1168WH

concealed cisterns

Refer to concealed cisterns matrix for list of lever cisterns. For push button cisterns please visit www.geberit.co.uk.

seat and cover

Seat and cover
with chrome plated hinges

AV7840WH

seat ring

25mm Seat ring

AV7881WH

25mm Seat ring

AV7881BE

material

Vitreous china.

colour

White WH.

fixings

Install pan to floor fixing

SR1020XX

(note: 2 required)

Seal to wall using silicone building sealant
(not provided). Cistern screwed to wall.



Hotels



Healthcare



Commercial



Less Able

Twyford

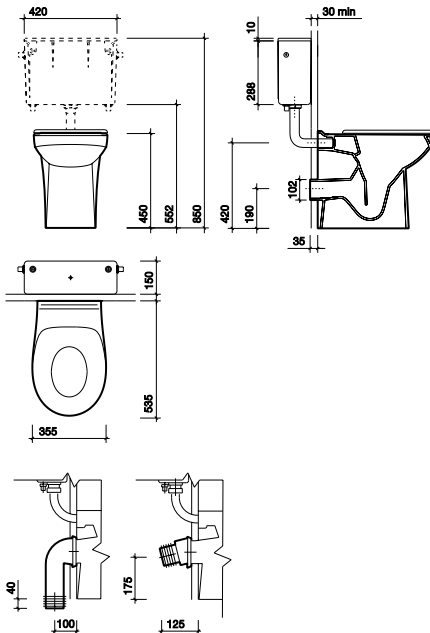
Geberit Group

avalon rimless btw

raised seating position for ease of use
4 litre flush to meet BREEAM specifications
fully shrouded pan with enclosed seat holes



Avalon rimless back-to-wall washdown WC suite, horizontal outlet



All measurements shown are in millimetres.
Drawing sizes are not to scale.

to specify/order:

Please use the product reference shown below.

wc pan

Avalon rimless, horizontal outlet **AV1968WH**

concealed cisterns

Refer to concealed cisterns matrix for list of lever cisterns. For push button cisterns please visit www.geberit.co.uk.

seat ring

With stainless steel bar hinge, top fix and stability buffers:

White **AV7886WH**
Grey **AV7886GY**
Blue **AV7886BE**
Red **AV7886RD**

seat and cover

With stainless steel top fix hinges and stability buffers:

Grey **AV7865GY**
Blue **AV7865BE**

With stainless steel, bar hinge, top fix and stability buffers:

White **AV7875WH**

approvals

HBN 00-10 C, code WC H

material

Vitreous china.

colour

White WH.

fixings

Screwed to floor with fixings provided.
Seal to wall and floor using silicone building sealant (not provided).



Hotels



Healthcare



Education



Commercial



Residential



Less Able

Twyford

Geberit Group

avalon rimless 700 btw

raised seating position for ease of use
fully shrouded outside & rimless to aid easy cleaning
extended projection to meet HTM64 requirements



Avalon rimless 700mm projection back-to-wall WC pan

to specify/order:

Please use the product reference shown below.

wc pan

Avalon rimless 700mm projection,
horizontal outlet

AV1498WH

concealed cisterns

Refer to concealed cisterns matrix for list of
lever cisterns. For push button cisterns please
visit www.geberit.co.uk.

extended flushpipe

Extended flushpipe
Required when installing with a Push Button
(valve) cistern

CF6426WH

seat ring

With stainless steel bar hinge, top fix
and stability buffers:

White
Grey
Blue
Red

AV7886WH

AV7886GY

AV7886BE

AV7886RD

seat and cover

With stainless steel top fix hinges
and stability buffers:

Grey
Blue

AV7865GY

AV7865BE

With stainless steel, bar hinge, top fix
and stability buffers:

White

AV7875WH

fixings

Screwed to floor with fixings provided.
Seal to wall and floor using silicone building
sealant (not provided).

approvals

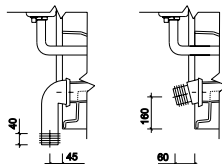
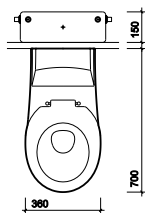
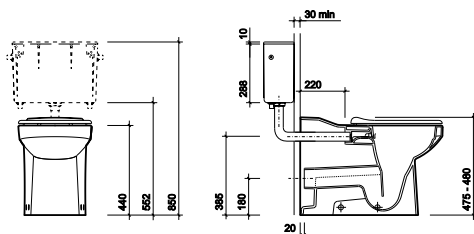
HBN 00-10 C, Code WC HD

material

Vitreous china.

colour

White WH.



All measurements shown are in millimetres.
Drawing sizes are not to scale.



Hotels



Healthcare



Education



Commercial



Residential



Less Able

Twyford

Geberit Group

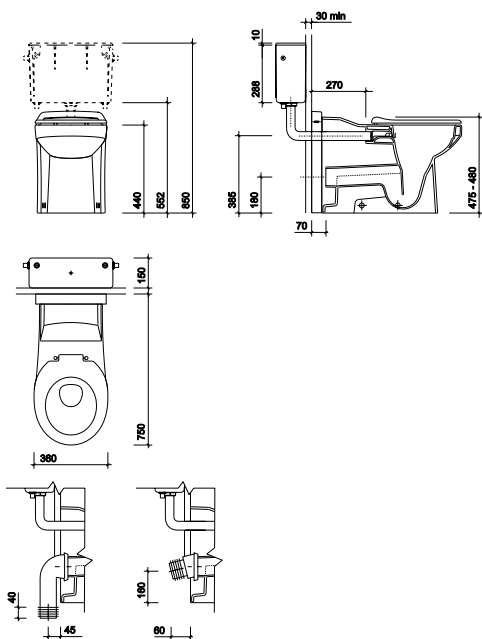
30

avalon rimless 750 btw

raised seating position for ease of use
fully shrouded outside & rimless to aid easy cleaning
extended projection to meet Doc.M requirements



Avalon rimless 750mm projection back-to-wall WC pan and extension



to specify/order:

Please use the product reference shown below.

wc pan and extension

Avalon rimless 700mm projection,
horizontal outlet **AV1498WH**
Avalon 50mm extension **AV6900WH**

concealed cisterns

Refer to concealed cisterns matrix for list of lever cisterns. For push button cisterns please visit www.geberit.co.uk.

extended flushpipe

Extended flushpipe **CF6426WH**
Required when installing with a Push Button (valve) cistern

seat ring

With stainless steel bar hinge, top fix and stability buffers:

White **AV7886WH**
Grey **AV7886GY**
Blue **AV7886BE**
Red **AV7886RD**

seat and cover

With stainless steel top fix hinges and stability buffers:

Grey **AV7865GY**
Blue **AV7865BE**

With stainless steel, bar hinge, top fix and stability buffers:

White **AV7875WH**

fixings

Screwed to floor with fixings provided.
Seal to wall and floor using silicone building sealant (not provided).

approvals

Doc.M of the Building Regulations (Extension)

material

Vitreous china and resin stone

colour

White WH.



All measurements shown are in millimetres.
Drawing sizes are not to scale.



Hotels



Healthcare



Education



Commercial



Residential



Less Able

Twyford

Geberit Group

delphic btw

suitable for high or low level concealed cistern
fully concealed plumbing



Delphic back-to-wall washdown WC suite, P trap outlet

to specify/order:

Please use the product reference shown below.

wc pan

P trap, bottom inlet

WC1742WH

concealed cisterns

Refer to concealed cisterns matrix for list of lever cisterns. For push button cisterns please visit www.geberit.co.uk.

bs seat and cover

Stainless steel, bottom fix hinges

ST6882WH

Stainless steel, bottom fix hinges

ST6882BK

bs seat ring only

Stainless steel bottom fix hinges

ST6881WH

Stainless steel bottom fix hinges

ST6881BE

flushpipe

Flushpipe 560 x 405mm
(For high level installation)

CF6220WH

approvals

(ii) P. S.A. Method of Building.
(iii) Home Office Prison Department

material

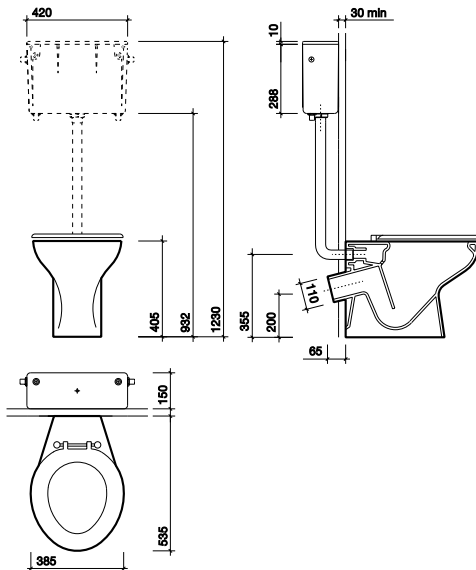
Vitreous china.

colour

White WH.

fixings

WC screwed to floor, and sealed to wall and floor using silicone building sealant (not provided).
Cistern screwed to wall.



All measurements shown are in millimetres.
Drawing sizes are not to scale.



Commercial

Twyford

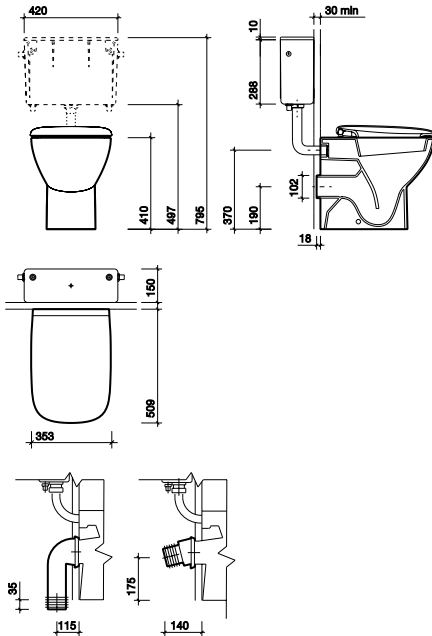
Geberit Group

moda btw

fully shrouded to wall, concealed fixings
capable of flushing on environmentally
friendly 4/2.6 litre dual flush



Moda back-to-wall washdown WC suite, horizontal outlet



All measurements shown are in millimetres.
Drawing sizes are not to scale.

to specify/order:

Please use the product reference shown below.

wc pan

Horizontal outlet

MD1438WH

concealed cisterns

Refer to concealed cisterns matrix for list of
lever cisterns. For push button cisterns please
visit www.geberit.co.uk.

seat and cover

Bottom fix stainless

steel hinge

MD7815WH

With soft closing mechanism

MD7851WH

material

Vitreous china.

colour

White WH.

fixings

WC screwed to floor with fixings provided.
Seal to wall and floor using silicone
building sealant (not provided).



Hotels



Education



Commercial



Residential

Twyford

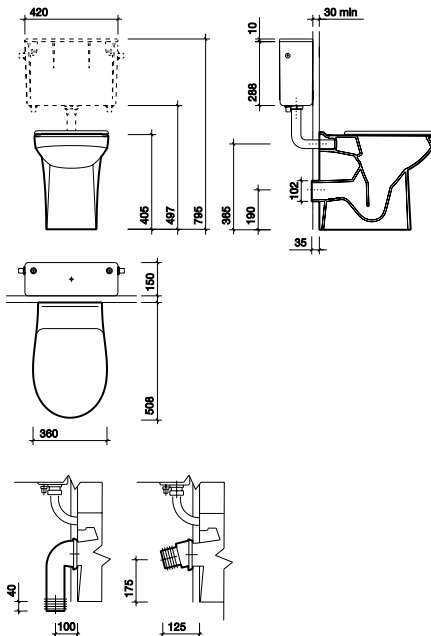
Geberit Group

sola rimless btw

4 litre flush to meet BREEAM specifications
fully shrouded outside to aid easy cleaning
rimless design to aid easy cleaning inside



Sola rimless back-to-wall washdown WC suite, horizontal outlet



All measurements shown are in millimetres.
Drawing sizes are not to scale.

to specify/order:

Please use the product reference shown below.

wc pan

Sola rimless, horizontal outlet

SA1968WH

concealed cisterns

Refer to concealed cisterns matrix for list of lever cisterns. For push button cisterns please visit www.geberit.co.uk.

seat ring

With stainless steel bar hinge, top fix and stability buffers:

White

AV7886WH

Grey

AV7886GY

Blue

AV7886BE

Red

AV7886RD

seat and cover

With stainless steel top fix hinges and stability buffers:

Grey

AV7865GY

Blue

AV7865BE

With stainless steel, bar hinge, top fix and stability buffers:

White

AV7875WH

material

Vitreous china.

colour

White WH.

fixings

Screwed to floor with fixings provided.
Seal to wall and floor using silicone building sealant (not provided).



AUTHORISED USER NO. 00974



Hotels



Healthcare



Education



Commercial



Residential

Twyford

Geberit Group

sola school rimless 300 btw

4 litre flush to meet BREEAM specifications
 fully shrouded outside to aid easy cleaning
 rimless design to aid easy cleaning inside



Sola school rimless 300 back-to-wall washdown WC suite

to specify/order:

Please use the product reference shown below.

wc pan

WC pan, horizontal outlet

SA1512WH

concealed cisterns

Refer to concealed cisterns matrix for list of lever cisterns. For push button cisterns please visit www.geberit.co.uk.

seat

Open front seat ring with top fix stainless steel hinges:

White
 Blue

**SA1304WH
 SA1304BE**

material

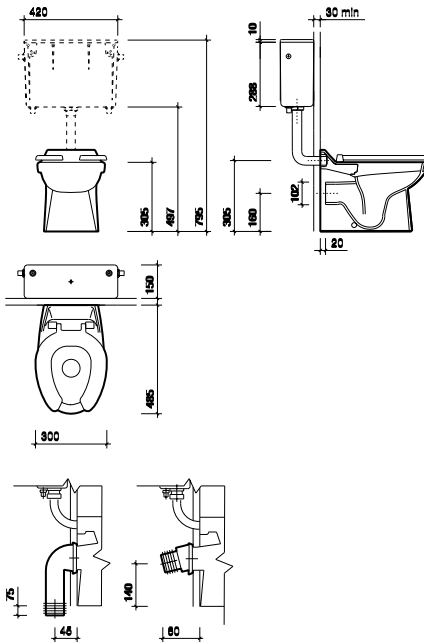
Vitreous china.

colour

White WH.

fixings

WC screwed to floor with fixings provided.



All measurements shown are in millimetres.
 Drawing sizes are not to scale.



Education

Twyford
 Geberit Group

sola school rimless 350 btw

4 litre flush to meet BREEAM specifications
 fully shrouded outside to aid easy cleaning
 rimless design to aid easy cleaning inside



Sola school rimless 350 back-to-wall washdown WC suite

to specify/order:

Please use the product reference shown below.

wc pan

WC pan, horizontal outlet

SA1514WH

concealed cisterns

Refer to concealed cisterns matrix for list of lever cisterns. For push button cisterns please visit www.geberit.co.uk.

seat

Full seat ring with top fix stainless steel hinges:

White
 Blue

SA1306WH

SA1306BE

material

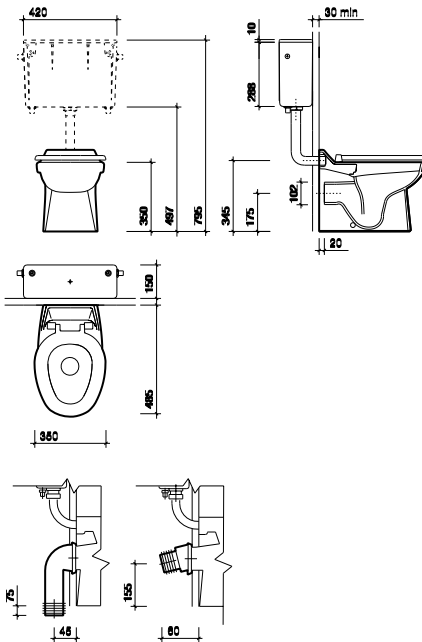
Vitreous china.

colour

White WH.

fixings

WC screwed to floor with fixings provided.



All measurements shown are in millimetres.
 Drawing sizes are not to scale.



Education

Twyford
 Geberit Group

alcona wall-hung

co-ordinatingalcona range
capable of flushing on environmentally friendly 4/2.6 litre dual flush
optional soft closing mechanism seat



Alcona wall-hung washdown WC suite, horizontal outlet

to specify/order:

Please use the product reference shown below.

wc pan

Horizontal outlet

AR1738WH

concealed cisterns

Refer to concealed cisterns matrix for list of lever cisterns. For push button cisterns please visit www.geberit.co.uk.

seat and cover

Bottom fix stainless steel hinge
With soft closing mechanism

AR7815WH

AR7853WH

supporting bracket

Supporting bracket and fixing kit

SR8138XX

material

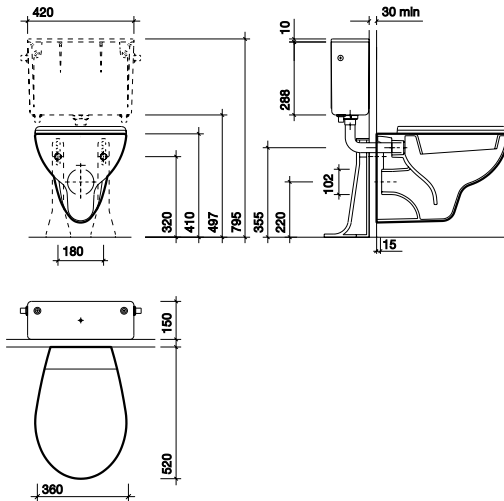
Vitreous china.

colours

White WH.

fixings

Supporting brackets screwed to floor for non load bearing walls, up to 100mm thick.



All measurements shown are in millimetres.
Drawing sizes are not to scale.



AUTHORISED
USER NO. 00974



Hotels



Education



Commercial



Residential

Twyford

Geberit Group

classic low level

cistern reversible right hand or left hand
for use where existing service points cannot be altered



Classic low level washdown WC suite, horizontal outlet

to specify/order:

Please use the product reference shown below.

wc pan

Horizontal outlet	CC1138WH
S trap	CC1131WH
P trap	CC1132WH

Low level cistern and fittings, 6L,
including chrome lever:

BSIO	CC2641WH
SSIO	CC2841WH

bs seat and cover

Stainless steel, bottom fix hinges:

White	ST6882WH
Black	ST6882BK

bs seat ring

Stainless steel, bottom fix hinges:

White	ST6881WH
Blue	ST6881BE

approvals

Horizontal wc bowl to BS5503, ISSO.
S&P wc bowl to BS1213: 1945 (withdrawn)

material

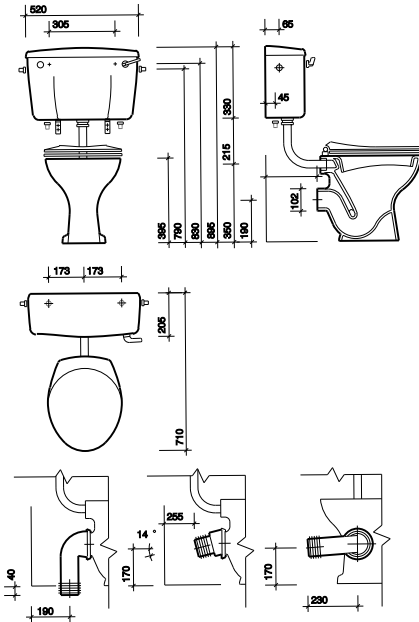
Vitreous china.

colours

White WH.

fixings

WC screwed to floor. Cistern screwed to wall
and supported on brackets.



All measurements shown are in millimetres.
Drawing sizes are not to scale.



Commercial



Residential

Twyford

Geberit Group

classic wc bowls

for use with classic high & low level cisterns
for use where existing service points cannot be altered



Classic WC bowls

to specify/order:

Please use the product reference shown below.

wc pan

Horizontal outlet

CC1138WH

With fixed P trap

CC1132WH

With fixed S trap

CC1131WH

approvals

H.O. bowl manufactured in accordance with BS5503: 1990

S&P bowls manufactured in accordance with BS1213: 1945 (withdrawn).

material

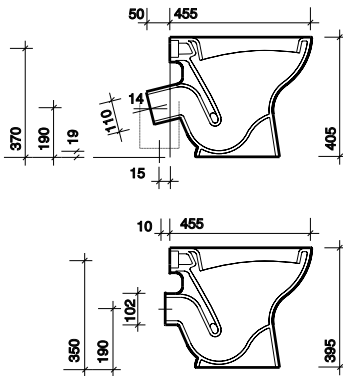
Vitreous china.

colours

White WH.

fixings

WC screwed to floor.



All measurements shown are in millimetres.
Drawing sizes are not to scale.



Commercial



Residential

Twyford

Geberit Group

nile squatting pan



Nile squatting pan

to specify/order:

Please use the product reference shown below.

wc pan

Squatting pan

WC3390WH

inlet connector

Inlet connector, rubber

CF4220XX

flushpipe

Flushpipe and clip, plastic

CF6415WH

material

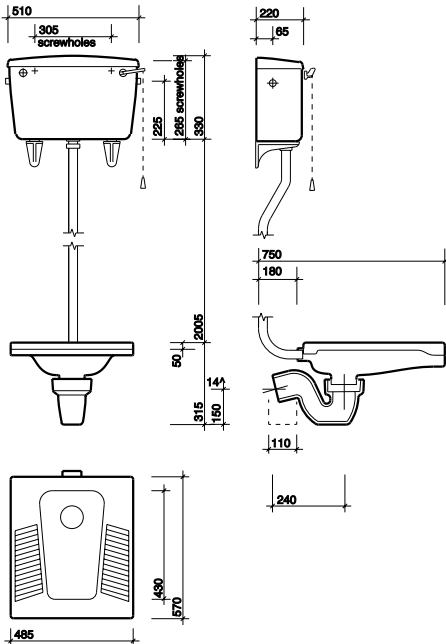
Vitreous china

colours

White WH.

fixings

Pan must be fully supported. Cistern screwed to wall and supported on brackets.



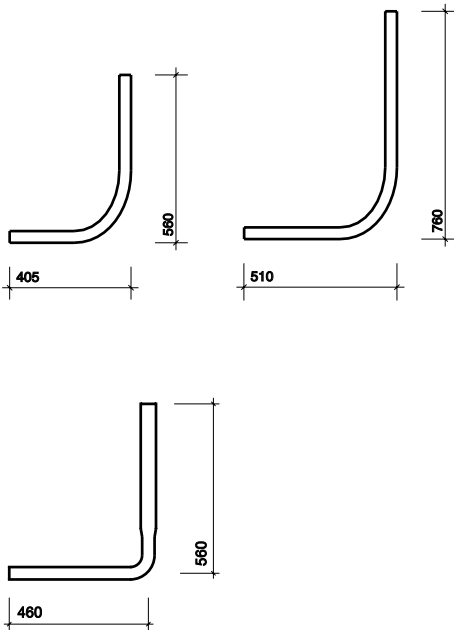
All measurements shown are in millimetres.
Drawing sizes are not to scale.



Commercial

Twyford

Geberit Group



to specify/order:

Please use the product reference shown below.

- special sized flushpipes for use where standard pipes are not suitable.

materials

Plastics

colour

White WH.

low level flushpipe

760 x 510mm flushpipe for Stainless Steel

Back inlet hospital units **CF6217WH**

560 x 405mm flushpipe for Delphic Back inlet

WC and Nile Back inlet Hopper **CF6220WH**

560 x 460mm flushpipe for

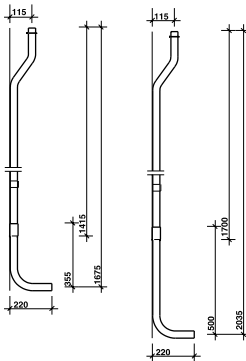
Alcona Wall-hung WC **CF6426WH**

note

Twyford low level cisterns include as standard:

- a flushbend 240 x 190mm with exposed cisterns
- 355 x 230mm with the Spectrum concealed cistern
- 370 x 270mm Concealed cisterns with valve

Where a cistern is fixed in a position further behind the WC or hopper inlet than shown on the relevant fixture page, the vertical length of the flushbend must be increased by at least half of the increase of horizontal dimensions.



high level flushpipe

Flushpipe plastic 2 piece telescopic short, 1675mm

CF6414WH

Flushpipe plastic 2 piece telescopic long, 2035mm

CF6415WH

note

Special flushpipes to suit cisterns fixed in positions other than on the backwall can be supplied to special order. Twyford will be pleased to provide drawings and indicative costs on receipt of a dimensional sketch showing fixture and cistern layout.

All measurements shown are in millimetres.
Drawing sizes are not to scale.



Hotels



Healthcare



Education



Commercial



Residential



Less Able

Twyford

Geberit Group

concealed cisterns matrix

KEY to table:

DF 6/4 = Dual Flush 6/4 litres

SF 4 = Single Flush 4 litres

SF 6 = Single Flush 6 litres

Cistern part no.	CX9560XX CX9561XX	CX9564XX	CX9540XX
	SF 6	DF 6/4	SF 4
BACK TO WALL			
Alcona	✓	✓	✓
Moda	✓	✓	✓
Avalon	✓		
Avalon Rimless	✓	✓	✓
Avalon Rimless 700 Projection	✓	✓	✓
Delphic BI	✓		
Sola Rimless	✓	✓	✓
Sola School Rimless 300	✓	✓	✓
Sola School Rimless 350	✓	✓	✓

WALL-HUNG			
Alcona	✓	✓	✓

For push button cisterns please visit www.geberit.co.uk.



Hotels



Healthcare



Education



Commercial



Residential



Less Able

Twyford

Geberit Group

concealed cisterns - lever

concealed plastic cistern for front or back wall fixing
 reversible for right or left hand operation
 option of delayed action inlet valve



to specify/order

Please use the product reference shown below.

concealed cisterns

Concealed cistern, complete with fittings,
 including chrome plated lever and flushbend:
 SSIO 6 litre **CX9560XX**
 BSIO 6 litre **CX9561XX**

SSIO 4 litre with DAIV
 (delayed action inlet valve) **CX9540XX**

SSIO 6/4 litre, dual flush with DAIV
 (delayed action inlet valve) **CX9564XX**

alternative spatula lever
 Spatula lever **CF3109CP**

alternative extended levers

For duct wall thickness
 up to 225mm **CF3018CP**

For duct wall thickness
 up to 340mm **CF3017CP**

applications

For use with WC's (except close coupled)
 and slop hoppers.

material

Plastics

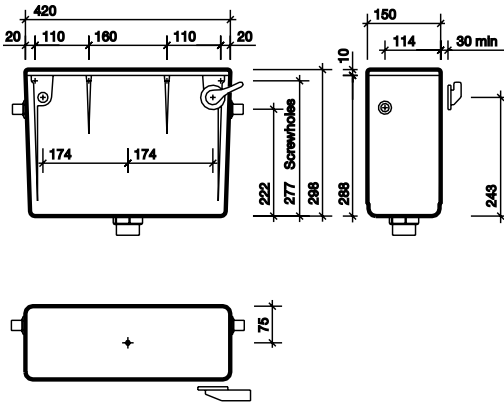
fixings

Screw to wall (screws not supplied).

note

Supplied with lever for duct wall thickness
 up to 114mm.

The 4 litre product is convertible to 6 litres
 (post installation), if variations in drainage systems
 necessitate increasing the flush volume to
 ensure efficient drain line carry.



All measurements shown are in millimetres.
 Drawing sizes are not to scale.



Hotels



Healthcare



Education



Commercial



Residential

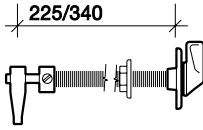


Less Able

Twyford

Geberit Group

concealed cistern fittings



Extended duct lever

to specify/order

Please use the product reference shown below.

extended duct lever

For up to 225mm wall
For up to 340mm wall

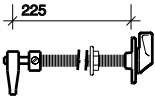
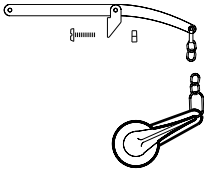
CF3018CP
CF3017CP

applications

For low level cisterns concealed in duct.

fixings

Screwed through wall with backnut.



High level duct lever

high level duct lever

For duct wall thickness
up to 225mm

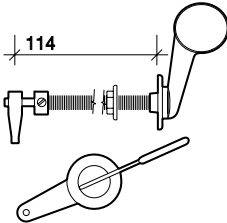
CF3067CP

applications

For high level cisterns concealed in duct.

fixings

Screwed through wall with backnut.



Spatula lever

spatula lever

For duct wall thickness
up to 114mm

CF3109CP

applications

For low level cisterns concealed in duct.

fixings

Screwed through wall with backnut.

All measurements shown are in millimetres.
Drawing sizes are not to scale.



Hotels



Healthcare



Education



Commercial



Residential



Less Able

Twyford

Geberit Group

This seat is suitable
for the following WC bowls:
Alcona and Classic



Alcona

alcona seat and cover

With steel hinges

With soft closing mechanism

AR7815WH

AR7853WH

material

Plastics.

colour

White WH.

All measurements shown are in millimetres.
Drawing sizes are not to scale.

For sector applications please refer to WC pan

This seat is suitable for the following WC bowls:
Avalon AV1168WH only



Avalon

avalon

Seat 25mm ring and cover
Seat 25mm ring only
Seat 25mm ring only

AV7840WH
AV7881WH
AV7881BE

material

Plastics.

colour

White WH, blue BE.
(White RAL 9003, Luminance Value 78)
(Blue RAL 5011, Luminance Value 7)

This seat is suitable for the following WC bowls:
Avalon Rimless
Sola Rimless



Avalon/Sola Rimless seat and cover

avalon/sola rimless seat and cover

Stainless steel, top fix hinges
Blue
Grey

AV7865BE
AV7865GY

material

Plastics.

colour

Blue BE, grey GY.
(Blue RAL 5011, Luminance Value 7)
(Grey RAL 7005, Luminance Value 20)

Supplied with stability and standard front buffers.

Stainless steel, bar hinge, top fix **AV7875WH**

material

Plastics.

colour

White WH.
(White RAL 9003, Luminance Value 78)

Supplied with stability buffers as standard.

This seat is suitable for the following WC bowls:
Avalon Rimless
Sola Rimless



Avalon/Sola Rimless seat ring

avalon/sola rimless seat ring

Stainless steel, bar hinge, top fix
White
Blue
Grey
Red

AV7886WH
AV7886BE
AV7886GY
AV7886RD

material

Plastics.

colour

White WH, blue BE, grey GY, red RD.
(White RAL 9003, Luminance Value 78)
(Blue RAL 5011, Luminance Value 7)
(Grey RAL 7005, Luminance Value 20)
(Red RAL 3020, Luminance Value 12)

Supplied with stability buffers as standard.

All measurements shown are in millimetres.
Drawing sizes are not to scale.

For sector applications please refer to WC pan

This seat is suitable for the following WC bowls: Avalon, Classic & Delphic



BS Seat and Cover

bs seat and cover

Stainless steel, bottom fix hinges

White

Black

ST6882WH

ST6882BK

approvals

B.S. 1254 part 1.

material

Plastics.

colour

White WH, black BK.

This seat is suitable for the following WC bowls: Avalon, Classic & Delphic



BS Seat ring

bs seat ring

Stainless steel, bottom fix hinges

White

Blue

ST6811WH

ST6811BE

approvals

B.S. 1254 part 1.

material

Plastics.

colour

White WH, blue BE.

(Blue RAL 5011, Luminance Value 7)

All measurements shown are in millimetres.
Drawing sizes are not to scale.

For sector applications please refer to WC pan

This seat is suitable
for the following WC bowls:
Moda only



Moda

moda seat and cover
Stainless steel, top fix hinges
Soft closing mechanism

MD7815WH
MD7851WH

material
Plastics.

colour
White WH.

This seat is suitable
for the following WC bowls:
Option only



Option

option seat and cover
Seat and cover,
stainless steel hinges
Seat and cover, plastic hinges

OT7815WH
ST2810WH

material
Plastics.

colour
White WH.

All measurements shown are in millimetres.
Drawing sizes are not to scale.

For sector applications please refer to WC pan

This seat is suitable for the following WC bowls:
Sola Schools Rimless
300 WC pan **SA1512WH**



Sola school rimless 300

open front plastic seat ring

Stainless steel, top fix hinges
White
Blue

SA1304WH
SA1304BE

material

Plastics.

colour

White WH, blue BE.
(Blue RAL 7005, Luminance Value 7)

This seat is suitable for the following WC bowls:
Sola Schools Rimless
350 WC pan **SA1514WH**



Sola school rimless 350

full seat ring

Stainless steel, top fix hinges
White
Blue

SA1306WH
SA1306BE

material

Plastics

colour

White WH, blue BE.
(Blue RAL 7005, Luminance Value 7)

All measurements shown are in millimetres.
Drawing sizes are not to scale.

For sector applications please refer to WC pan

Washbasins



alcona 600,550,500

co-ordinatingalcona range



Alcona 600 x 455mm washbasin and pedestal

to specify/order:

Please use the product reference shown below.

washbasin

600 x 455mm:

1 tap hole

AR4311WH

2 tap holes

AR4312WH

550 x 420mm:

1 tap hole

AR4211WH

2 tap holes

AR4212WH

500 x 410mm:

1 tap hole

AR4111WH

2 tap holes

AR4112WH

pedestal

Pedestal

AR4920WH

Semi-pedestal

AR4960WH

taps & mixers

Refer to taps & mixers.

waste & traps

Refer to wastes & traps.

alternative fixings

Wall bolts (pair)

SR1018XX

tap holes

25mm for reduced seepage

material

Vitreous china.

colour

White WH.

fixings

a) Pedestal with basin screwed to wall,

(Pedestal screwed to floor)

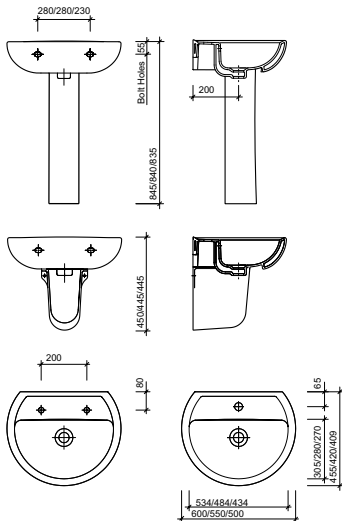
b) Wall bolts

optional upgrade

Total Install[®] pack

T11967XX

Basin bracket fits basin sizes 600 & 550mm.



All measurements shown are in millimetres.
Drawing sizes are not to scale.



Hotels



Education



Commercial



Residential

Twyford

Geberit Group

alcona 400 handrinse

co-ordinatingalcona range



Alcona 400 x 330mm handrinse basin

to specify/order:

Please use the product reference shown below.

handrinse

400 x 330mm:

1 tap hole

AR4811WH

2 tap holes

AR4812WH

pedestal

Pedestal

AR4920WH

taps & mixers

Refer to taps & mixers.

waste & traps

Refer to wastes & traps.

fixings

Wall bolts (pair)

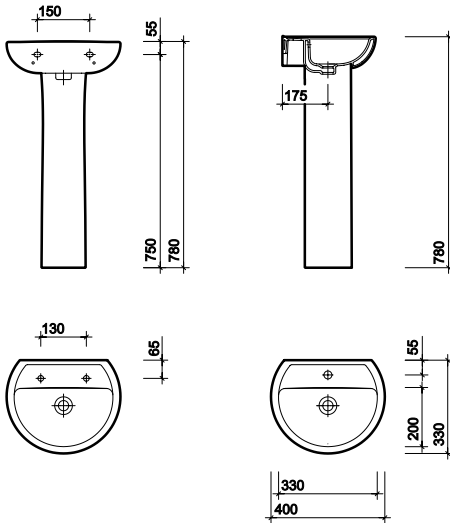
SR1015XX

material

Vitreous china.

colour

White WH.



All measurements shown are in millimetres.
Drawing sizes are not to scale.



Hotels



Education



Commercial



Residential

Twyford

Geberit Group

alcona 360 handrinse

co-ordinatingalcona range
smaller, compact design



Alcona 360 x 250mm handrinse basin

to specify/order:

Please use the product reference shown below.

handrinse

360 x 250mm
2 tap holes

AR4152WH

taps & mixers

Refer to taps & mixers.

waste & traps

Refer to wastes & traps.

fixings

Wall bolts (pair)

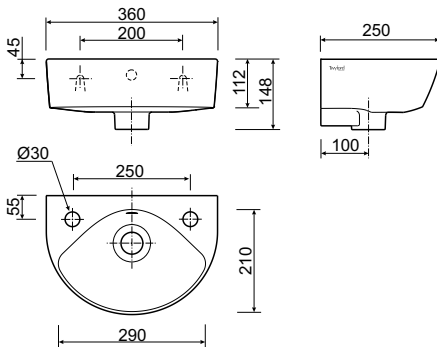
SR1015XX

material

Vitreous china.

colour

White WH.



All measurements shown are in millimetres.
Drawing sizes are not to scale.



Hotels



Education



Commercial



Residential

Twyford
Geberit Group

alcona 360 handrinse

co-ordinatingalcona range
smaller, compact design



Alcona 360 x 250mm handrinse basin

to specify/order:

Please use the product reference shown below.

handrinse

360 x 250mm:

1 right hand tap hole

AR4155WH

1 left hand tap hole

AR4156WH

taps & mixers

Refer to taps & mixers.

waste & traps

Refer to wastes & traps.

fixings

Wall bolts (pair)

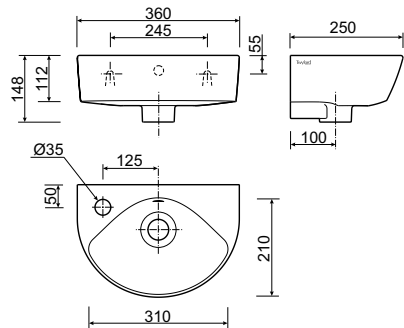
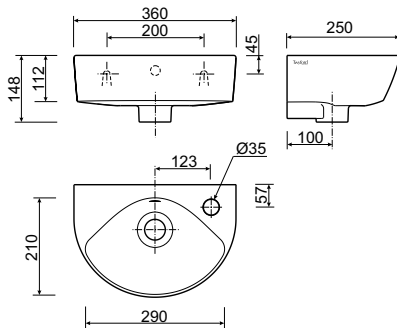
SR1015XX

material

Vitreous china.

colour

White WH.



All measurements shown are in millimetres.
Drawing sizes are not to scale.



Hotels



Education



Commercial



Residential

Twyford

Geberit Group

alcona square 600

modern, square basin design



Alcona 600 x 450mm washbasin

to specify/order:

Please use the product reference shown below.

washbasin

600 x 450mm 1 tap hole

AR4861WH

pedestal

Pedestal

AR4930WH

fixings

Wall bolts (pair)

SR1018XX

taps & mixers

Refer to taps & mixers.

waste & traps

Refer to wastes & traps.

material

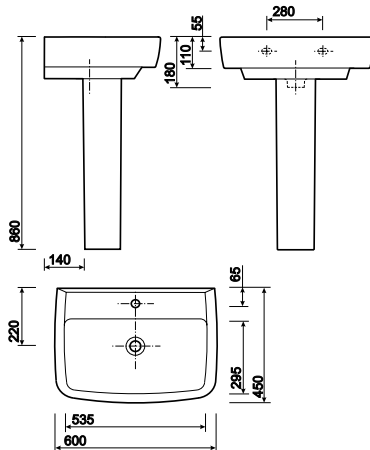
Vitreous china.

colour

White WH.

alternative fixings

Total Install® pack - fixing for non load bearing walls. Refer to Total Install®.



All measurements shown are in millimetres.
Drawing sizes are not to scale.



Hotels



Commercial



Residential

Twyford

Geberit Group

alcona square 500

co-ordinatingalcona range
modern, square basin design



Alcona 500 x 380mm washbasin

to specify/order:

Please use the product reference shown below.

washbasin

500 x 380mm 1 tap hole

AR4841WH

pedestal

Pedestal

AR4930WH

fixings

Wall bolts (pair)

SR1018XX

taps & mixers

Refer to taps & mixers.

waste & traps

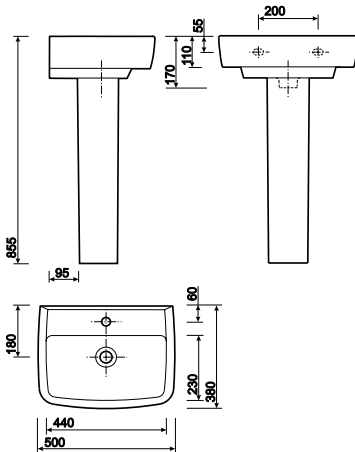
Refer to wastes & traps.

material

Vitreous china.

colour

White WH.



All measurements shown are in millimetres.
Drawing sizes are not to scale.



Hotels



Commercial



Residential

Twyford
Geberit Group

alcona square 400 handrinse

co-ordinatingalcona range
modern, square basin design



Alcona 400 x 310mm washbasin

to specify/order:

Please use the product reference shown below.

washbasin

400 x 310mm 1 tap hole

AR4801WH

pedestal

Pedestal

AR4930WH

fixings

Wall bolts (pair)

SR1015XX

taps & mixers

Refer to taps & mixers.

waste & traps

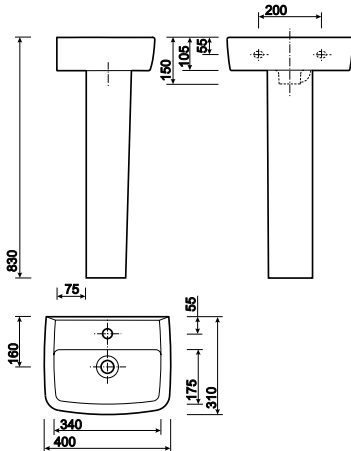
Refer to wastes & traps.

material

Vitreous china.

colour

White WH.



All measurements shown are in millimetres.
Drawing sizes are not to scale.



Hotels



Commercial

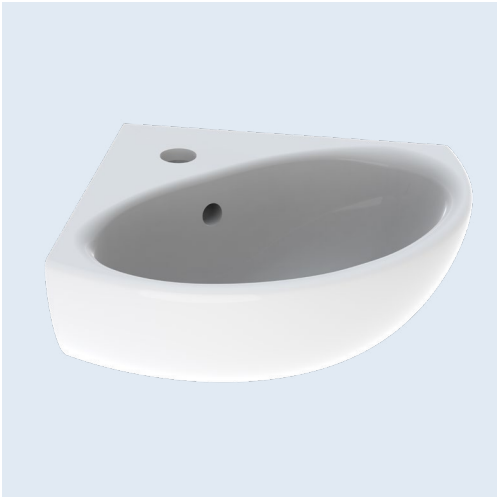


Residential

Twyford
Geberit Group

alcona 350 corner

co-ordinatingalcona range
compact design for smaller bathrooms



Alcona 350mm corner washbasin

to specify/order:

Please use the product reference shown below.

washbasin

350mm 1 centre tap hole

AR1911WH

pedestal

Pedestal

AR4920WH

fixings

Wall bolts (pair)

SR1015XX

taps & mixers

Refer to taps & mixers.

waste & traps

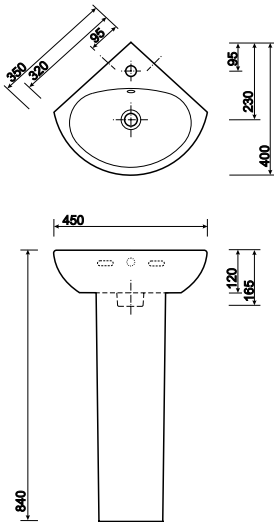
Refer to wastes & traps.

material

Vitreous china.

colour

White WH.



All measurements shown are in millimetres.
Drawing sizes are not to scale.



Hotels



Commercial



Residential

Twyford
Geberit Group

classic 560

clear centre shelf area
robust design



Classic 560 x 415mm basin

to specify/order:

Please use the product reference shown below.

washbasin

560 x 415mm:
2 tap holes

CC4212WH

wall brackets

Wall brackets

SR1005XX

pedestal

Pedestal

VC5910WH

alternative fixing

Legs and bearers

SR3041XX

taps & mixers

Refer to taps & mixers.

waste & traps

Refer to wastes & traps.

approvals

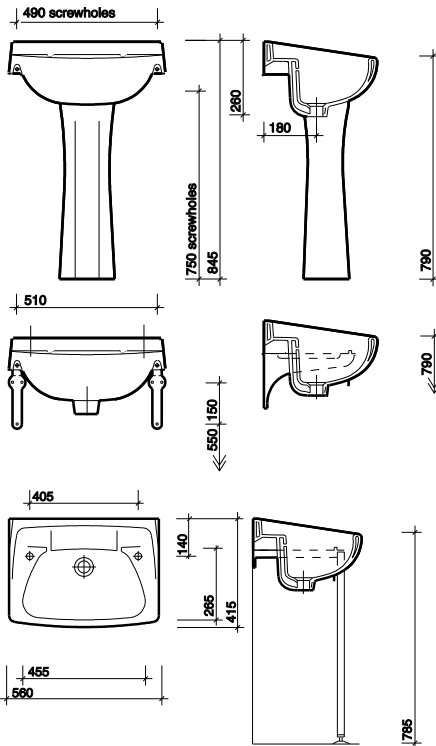
(i) BS1188: 1974.

material

Vitreous china.

colours

White WH.



All measurements shown are in millimetres.
Drawing sizes are not to scale.



Education



Commercial



Residential

Twyford
Geberit Group

option 550

co-ordinating option range



Option 550 x 450mm basin and pedestal

to specify/order:

Please use the product reference shown below.

washbasin

Pedestal fixing 550 x 450mm:

1 centre tap hole

2 tap holes

OT4211WH

OT4212WH

pedestal

Pedestal

OT4910WH

fixings

Wall bolts (pair)

SR1018XX

taps & mixers

Refer to taps & mixers.

waste & traps

Refer to wastes & traps.

material

Vitreous china.

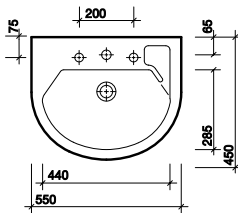
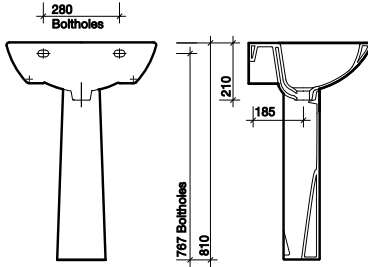
colour

White WH.

optional upgrade

Total Install[®] pack

T11967XX



All measurements shown are in millimetres.
Drawing sizes are not to scale.



Hotels



Commercial



Residential

Twyford

Geberit Group

sola 600

robust design
deeper side walls for superior strength
enclosed fixings for hygiene



Sola 600mm basin with sola lever action taps

to specify/order:

Please use the product reference shown below.

washbasin

600 x 460mm:

2 tap holes
1 centre tap hole

SA4312WH

SA4311WH

pedestal

Pedestal

AR4920WH

semi-pedestal

Semi-pedestal

AR4960WH

fixings

Wall bolts 140mm (pair)

SR1018XX

Total Install™ bracket pack
for 600 basin

T11960XX

taps & mixers

Sola

waste & traps

Refer to wastes & traps.

material

Vitreous china.

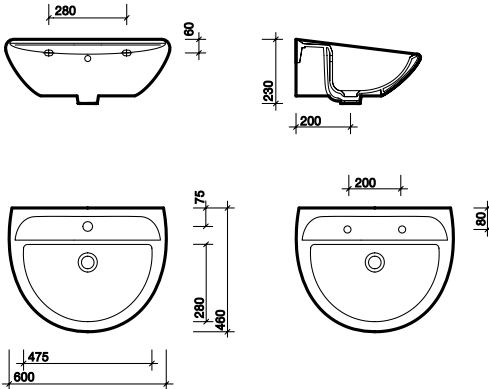
colour

White WH

note

2 tap basin - 25mm holes.

1 tap basin - 32mm holes.



All measurements shown are in millimetres.
Drawing sizes are not to scale.



Hotels



Healthcare



Education



Commercial

Twyford

Geberit Group

sola 500

robust design
deeper side walls for superior strength
enclosed fixings for hygiene



Sola 500mm basin with sola 1/2" non-convulsive taps

to specify/order:

Please use the product reference shown below.

washbasin

500 x 400mm:

2 tap holes
1 centre tap hole

SA4212WH
SA4211WH

pedestal

Pedestal

AR4920WH

semi-pedestal

Semi-pedestal

AR4960WH

fixings

Wall bolts 140mm (pair)
Total Install™ bracket pack
for 500 basin

SR1018XX

T11960XX

taps & mixers

Sola

waste & traps

Refer to wastes & traps.

material

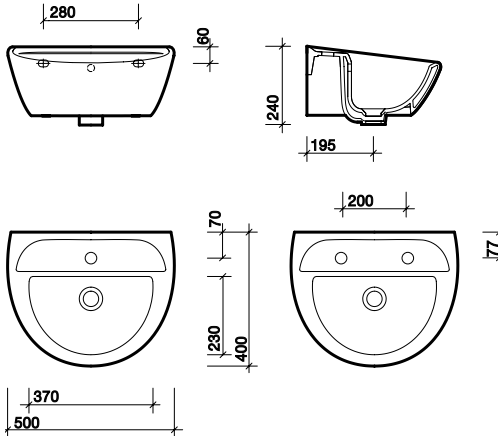
Vitreous china.

colour

White WH

note

2 tap basin - 25mm holes.
1 tap basin - 32mm holes.



All measurements shown are in millimetres.
Drawing sizes are not to scale.



Hotels



Healthcare



Education



Commercial

Twyford

Geberit Group

sola 400

robust design
deeper side walls for superior strength
enclosed fixings for hygiene



Sola 400mm handrinse with sola 1/2" non-concussive taps

to specify/order:

Please use the product reference shown below.

washbasin

400 x 345mm:

2 tap holes

1 centre tap hole

SA4112WH

SA4111WH

fixings

Wall bolts 120mm (pair)

Wall hangers (pair)

Total Install™ bracket pack
for 400 basin

SR1015XX

SR5307XX

T11961XX

taps & mixers

Sola

waste & traps

Refer to wastes & traps.

material

Vitreous china.

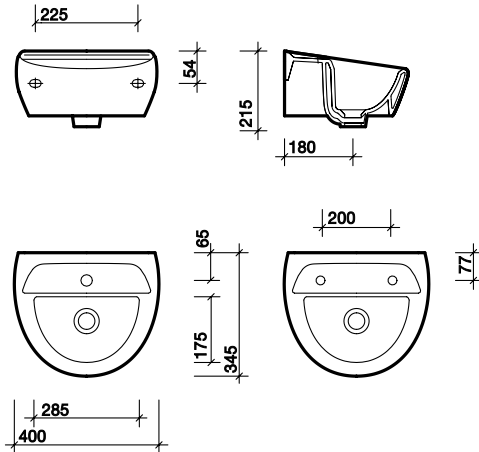
colour

White WH

note

2 tap basin - 25mm holes.

1 tap basin - 32mm holes.



All measurements shown are in millimetres.
Drawing sizes are not to scale.



Hotels



Healthcare



Education



Commercial

Twyford

Geberit Group

sola square 400

No Overflow
modern, square design
smaller, compact design



Sola 400mm basin right hand tap hole

to specify/order:

Please use the product reference shown below.

washbasin

400 x 250mm no overflow

Right hand tap hole

Left hand tap hole

SA4815WH

SA4816WH

fixings

Wall bolts 120mm (pair)

Total Install™ bracket pack
for 400 basin

SR1015XX

T11961XX

taps & mixers

Sola

waste & traps

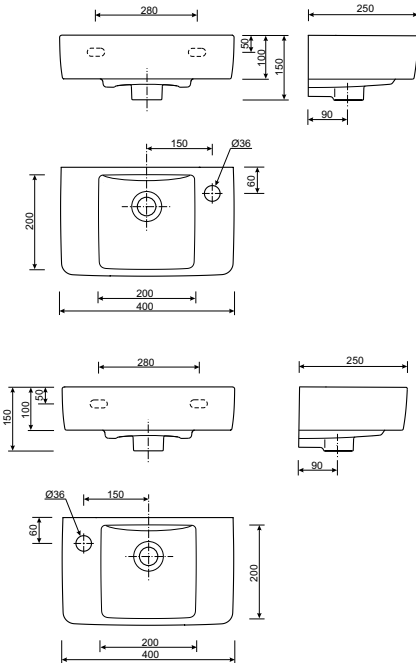
Refer to wastes & traps.

material

Vitreous china.

colour

White WH



All measurements shown are in millimetres.
Drawing sizes are not to scale.



Hotels



Healthcare



Education



Commercial

Twyford
Geberit Group

sola medical 600

no overflow, no chainstay
deeper side walls for superior strength



Sola Medical 600mm basin with sola lever action taps

to specify/order:

Please use the product reference shown below:

washbasin

600 x 460mm,
no overflow, no chainstay :
2 tap holes, LB G L
1 right hand tap hole, LB G L
1 left hand tap hole
No tap hole

SA4352WH
SA4355WH
SA4356WH
SA4350WH

fixings

Wall bolts 140mm (pair)
Total Install™ bracket pack
for 600 basin

SR1018XX

T11960XX

taps & mixers

Sola

waste & traps

Refer to wastes & traps.

approvals

HBN 00-10 C, code LB G L

material

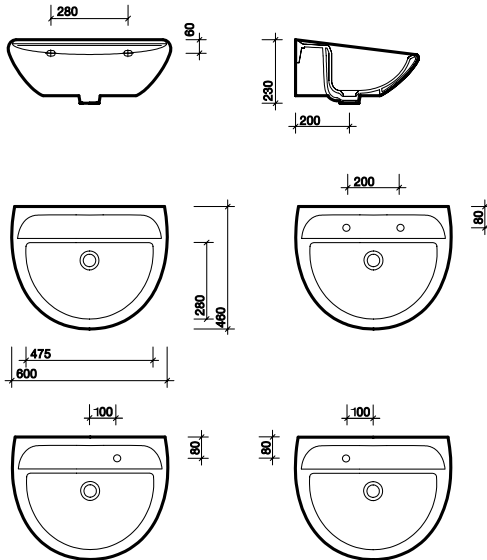
Vitreous china.

colour

White WH

note

2 tap basin - 25mm holes.
1 tap basin - 32mm holes.



All measurements shown are in millimetres.
Drawing sizes are not to scale.



Healthcare



Commercial

Twyford

Geberit Group

sola medical 500

no overflow, no chainstay
deeper side walls for superior strength



Sola Medical 500mm basin with sola lever action taps

to specify/order:

Please use the product reference shown below.

washbasin

500 x 400mm,
no overflow, no chainstay:
2 tap holes, LB G M
1 right hand tap hole, LB G M
1 left hand tap hole
1 centre tap hole
No tap hole

SA4252WH

SA4255WH

SA4256WH

SA4251WH

SA4250WH

fixings

Wall bolts 140mm (pair)
Total Install™ bracket pack
for 500 basin

SR1018XX

TI1960XX

taps & mixers

Sola

waste & traps

Refer to wastes & traps.

approvals

HBN 00-10 C, code LB G M

material

Vitreous china.

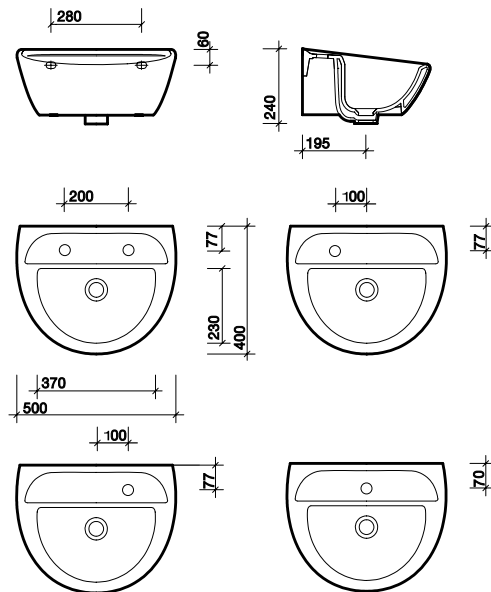
colour

White WH

note

2 tap basin - 25mm holes.

1 tap basin - 32mm holes.



All measurements shown are in millimetres.
Drawing sizes are not to scale.



Healthcare



Commercial

Twyford

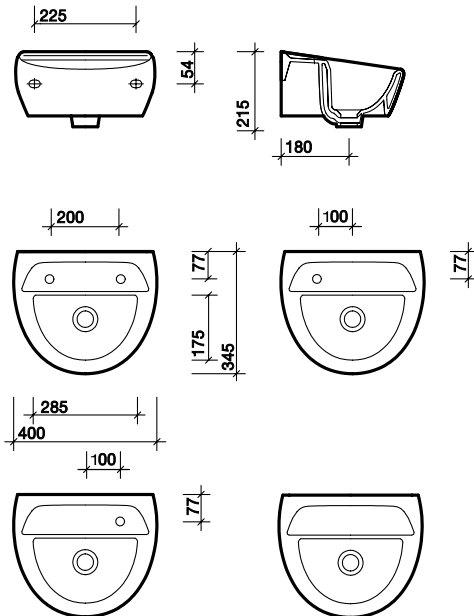
Geberit Group

sola medical 400

no overflow, no chainstay
deeper side walls for superior strength



Sola Medical 400mm handrinse with sola lever action taps



All measurements shown are in millimetres.
Drawing sizes are not to scale.

to specify/order:

Please use the product reference shown below:

washbasin

400 x 345mm,
no overflow, no chainstay:
2 tap holes
1 right hand tap hole, LB G S
1 left hand tap hole
No tap hole

SA4152WH
SA4155WH
SA4156WH
SA4150WH

fixings

Wall bolts 120mm (pair)
Wall hangers (pair)
Total Install™ bracket pack
for 400 basin

SR1015XX
SR5307XX
TI1961XX

taps & mixers

Sola

waste & traps

Refer to wastes & traps.

approvals

HBN 00-10 C, code LB G S

material

Vitreous china.

colour

White WH

note

2 tap basin - 25mm holes.
1 tap basin - 32mm holes.



Healthcare



Commercial

Twyford

Geberit Group

sola spectrum 500

fully concealed fixings and waste for hygiene and security
hospital pattern basin integral back outlet
connection to concealed services



Sola Spectrum 500 OTH basin

to specify/order:

Please use the product reference shown below:

washbasin

Wall fixing no overflow, no chainstay,
back outlet, no tap hole, LB H M:
500 x 410mm

SA4280WH

fixings

Fixing kit includes plastic grid waste,
waste outlet and concealed brackets
for panel fixing
nb. Excludes 1 1/4" plumbing outlet
connection pipe.

SR1314XX

taps & mixers

Sola wall mounted surgeons mixer:
Fixed spout
Detachable spout

SF1131CP

SF1132CP

approvals

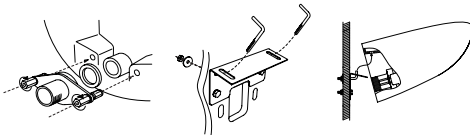
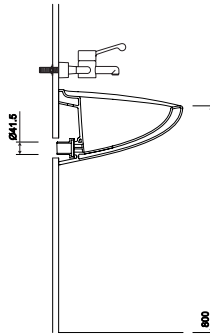
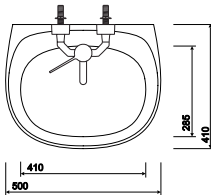
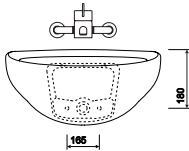
HBN 00-10 C, code LB H M

material

Vitreous china.

colours

White WH



All measurements shown are in millimetres.
Drawing sizes are not to scale.



Healthcare



Education



Commercial

Twyford

Geberit Group

alcona 560 countertop

co-ordinatingalcona range
compact design for smaller bathrooms



Alcona 560 x 475mm countertop basin

to specify/order:

Please use the product reference shown below.

washbasin

560 x 475mm 1 centre tap hole **AR4561WH**

taps & mixers

Refer to taps & mixers.

waste & traps

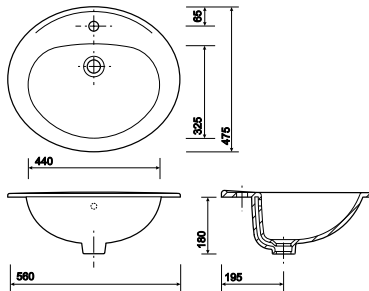
Refer to wastes & traps.

material

Vitreous china.

colour

White WH.



All measurements shown are in millimetres.
Drawing sizes are not to scale.



Hotels



Commercial



Residential

Twyford
Geberit Group

moda 550 semi-recessed

co-ordinating moda range



Moda 550 x 445mm semi-recessed basin

to specify/order:

Please use the product reference shown below.

washbasin

Semi-recessed 550 x 445mm:

1 tap hole

MD4621WH

taps & mixers

Refer to taps & mixers.

waste & traps

Refer to wastes & traps.

material

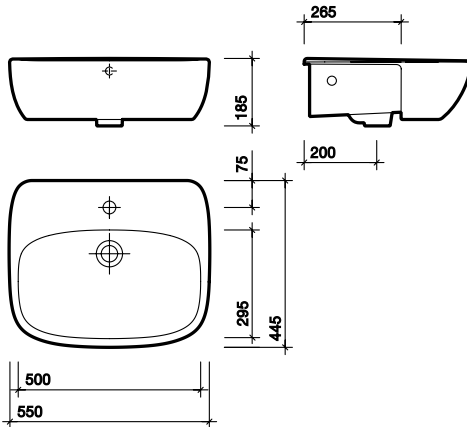
Vitreous china.

colour

White WH.

fixings

Fixing kit and template provided with basin.



All measurements shown are in millimetres.
Drawing sizes are not to scale.



Hotels



Education



Commercial



Residential

Twyford

Geberit Group

sola optimise 450 semi-recessed

space saving short projection basin, ideal for schools
deeper side walls for superior strength



Sola 450 x 380mm semi-recessed basin

to specify/order:

Please use the product reference shown below.

washbasin

Semi-recessed 450 x 380mm:

1 centre tap hole

SA4621WH

2 tap hole

SA4622WH

taps & mixers

Sola

Alternatively refer to taps & mixers.

extras

Chainstay blanking pin

SF9225CP

Chrome overflow trim

ZQ0743CP

waste & traps

Refer to wastes & traps for further options.

material

Vitreous china.

colour

White WH.

fixings

Fixing kit and template provided with basin.

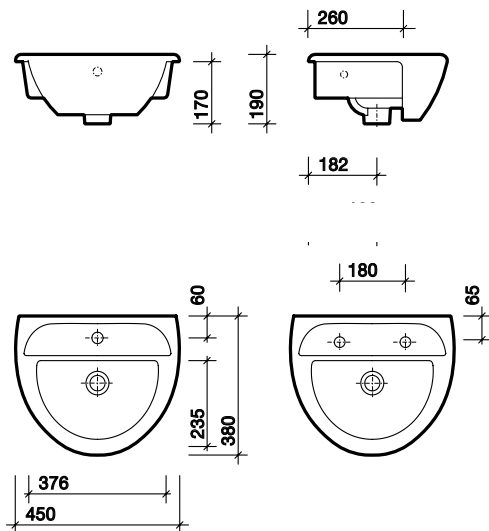
The basin is designed to fit furniture units with a worktop thickness between 15-40mm and a front face thickness up to 25mm.

note

2 tap basin - 25mm holes.

1 tap basin - 32mm holes.

The basin is designed to fit furniture units with a worktop thickness between 15-40mm and a front face thickness up to 25mm.



All measurements shown are in millimetres.
Drawing sizes are not to scale.



Hotels



Education



Commercial



Residential

Twyford

Geberit Group



Total Install® upgrade pack

to specify/order:

Please use the product reference shown below.

Total Install® upgrade pack

Total Install® pack - 280mm centres **TI1967XX**
 Applicable to Alcona, Option and Energy collections.

Pack includes:

- Basin bracket and fixings
- WC pan to floor fixings (not shown)
- Isolating valve



Total Install® bracket kits - 280mm or 225mm centres

Total Install® bracket kit

Total Install® bracket kit 280mm centres **TI1962XX**
 Total Install® bracket kit 225mm centres **TI1961XX**

Check the washbasin hole centres measurement to determine the correct total install bracket kit.

Pack includes:

- Basin bracket and fixings

Fixing guidance:						
Wall Type	Brick	Block	Timber > 75mm	Timber or panel < 75mm	Plasterboard	Foam filled
Basin wall mounted or with semi pedestal						
Wall bolts	✓	✓	✓	✗	✗	✗
Total Install® Bracket	✗	✗	✗	✗	✗	✗
Basin wall mounted with full pedestal						
Wall bolts	✓	✓	✓	✗	✗	✗
Total Install® Bracket	●	●	●	✓	✓	✓

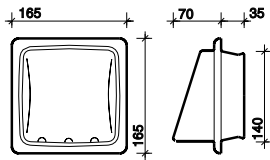
Key:

- ✓ Recommended
- Alternative
- ✗ Not recommended

The above is for guidance only. If in doubt, contact a qualified structural engineer.

All measurements shown are in millimetres.
 Drawing sizes are not to scale.

For sector applications please refer to washbasin



Soap tray

to specify/order:

Please use the product reference shown below.

soap tray

VC9808WH

material

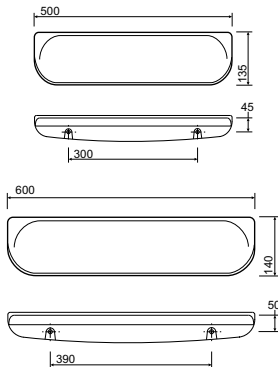
Vitreous china.

colour

White WH.

fixings

Recessed into wall.



to specify/order:

Please use the product reference shown below.

alcona ceramic shelf

500mm

AR9850WH

600mm

AR9860WH

material

Vitreous china.

colour

White WH

fixings

Not included

All measurements shown are in millimetres.
Drawing sizes are not to scale.



Hotels



Commercial



Residential

Baths



aspect 1700 x 700/750

square design to co-ordinate with square washbasins
ungripped bath



to specify/order:

Please use the product reference shown below.

bath

1700 x 700mm acrylic bath, encapsulated:
2 centre tap holes, no grips **AP8502WH**

1700 x 700mm acrylic bath, encapsulated:
0 tap holes, no grips **AP8500WH**

1700 x 750mm acrylic bath, encapsulated:
0 tap holes, no grips **AP8550WH**

bath panels

Refer to bath panels

bath screens

Suitable for a folding or fixed bath screen.
For options refer to bath screens.

wastes

Refer to wastes

taps & mixers

Refer to taps & mixers.

approvals

Baths manufactured to European & British
Standards EN263/EN14516 CL1

material

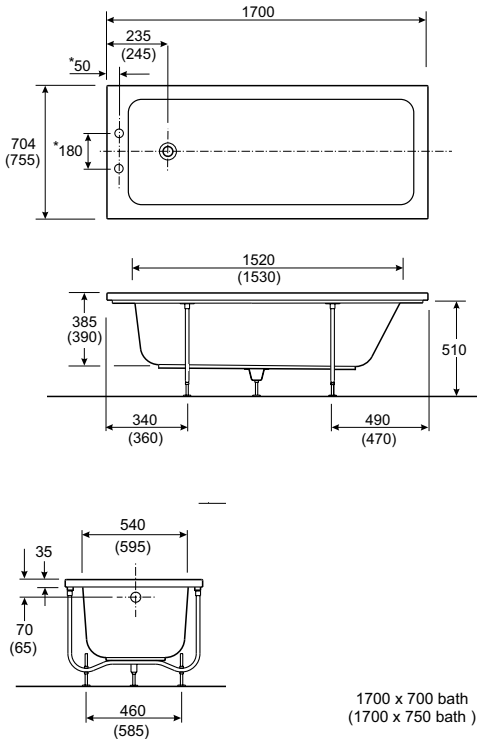
Made from 4mm acrylic sheet reinforced with
glass fibre. Encapsulated baseboard.

colours

White WH.

fixings

Supported on wooden frame with steel cradle
and adjustable feet. Clips provided for
securing to wall.



All measurements shown are in millimetres.
Drawing sizes are not to scale.



Hotels



Residential



Commercial

Twyford

Geberit Group

athena 1700 x 750

square design to co-ordinate with square washbasins
ungripped bath
double ended design, central waste hole



to specify/order:

Please use the product reference shown below.

bath

1700 x 750mm acrylic bath, encapsulated:

2 tap holes, no grips

0 tap holes, no grips

AH8502WH

AH8500WH

bath panels

Refer to bath panels

bath screens

Suitable for a folding or fixed bath screen.

For options refer to bath screens.

wastes

Refer to wastes

taps & mixers

Refer to taps & mixers.

approvals

Baths manufactured to European & British Standards EN263/EN14516 CL1

material

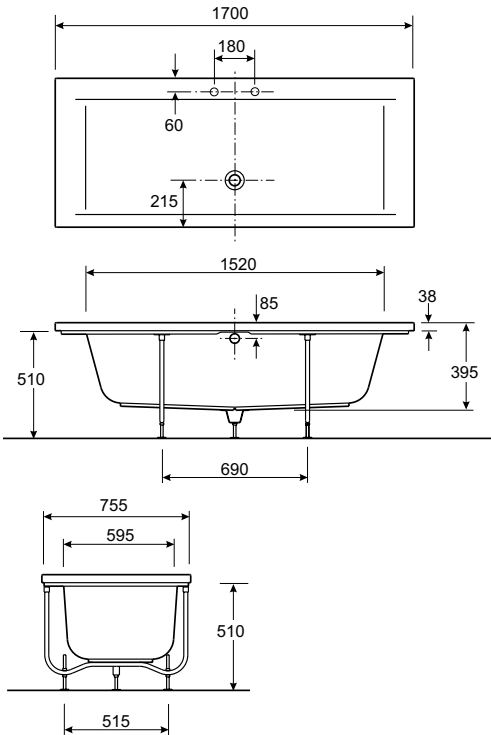
Made from 4mm acrylic sheet reinforced with glass fibre. Encapsulated baseboard.

colours

White WH.

fixings

Supported on wooden frame with steel cradle and adjustable feet. Clips provided for securing to wall.



All measurements shown are in millimetres.
Drawing sizes are not to scale.



Hotels



Residential



Commercial

Twyford

Geberit Group

opal low capacity (with tread) 1700 x 700

soft tread pattern covers full length of base
low capacity bath, 130 litres to overflow
available with or without grips



to specify/order:

Please use the product reference shown below.

bath

1700 x 700mm acrylic bath, with tread,
130 litres:

2 centre tap holes, with CP grips **OL8122WH**
No tap holes, no grips **OL8100WH**

grips (optional extra)

Chrome plated (pair) **BG1395CP**

bath panels

Refer to bath panels

bath screens

Suitable for a folding or fixed bath screen.
For options refer to bath screens.

wastes

Refer to wastes

taps & mixers

Refer to taps & mixers.

approvals

Baths manufactured to European & British
Standards EN263/EN14516 CL1

material

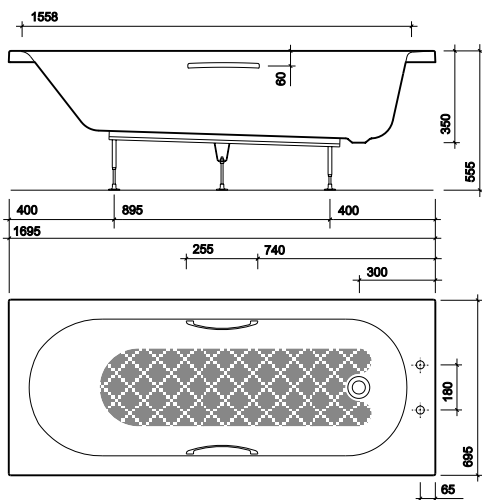
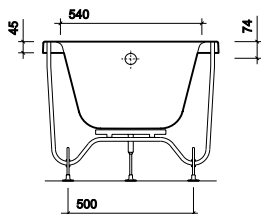
Made from 4mm acrylic sheet reinforced with
glass fibre.

colours

White WH.

fixings

Supported on wooden frame with steel cradle
and adjustable feet. Clips provided for
securing to wall.



All measurements shown are in millimetres.
Drawing sizes are not to scale.



Hotels



Residential



Commercial

Twyford

Geberit Group

opal (with tread) 1700 x 700

soft tread pattern covers full length of base
available with or without grips



to specify/order:

Please use the product reference shown below.

bath

1700 x 700mm acrylic bath, with tread:

2 centre tap holes, with CP grips **OL8822WH**

2 centre tap holes, no grips **OL8802WH**

No tap holes, no grips* **OL8800WH**

grips (optional extra)

Chrome plated (pair)

BG1395CP

bath panels

Refer to bath panels

bath screens

Suitable for a folding or fixed bath screen.

For options refer to bath screens.

wastes

Refer to wastes

taps & mixers

Refer to taps & mixers.

approvals

Baths manufactured to European & British Standards EN263/EN14516 CL1

material

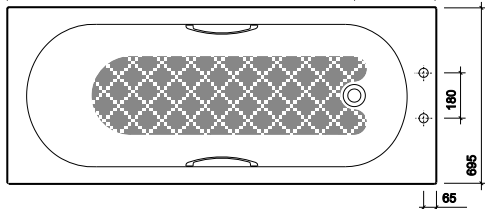
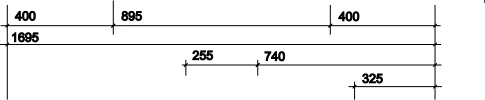
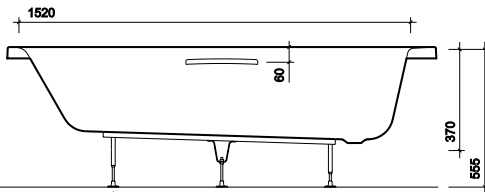
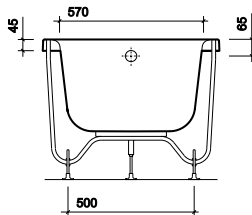
Made from 4mm acrylic sheet reinforced with glass fibre. Note: No tap hole variant has encapsulated baseboard.

colours

White WH.

fixings

Supported on wooden frame with steel cradle and adjustable feet. Clips provided for 1/4 securing to wall.



All measurements shown are in millimetres.
Drawing sizes are not to scale.



Hotels



Residential



Commercial

Twyford

Geberit Group

opal (with tread) 1500 x 700

soft tread pattern covers full length of base
space saving for smaller bathrooms
available with or without grips



to specify/order:

Please use the product reference shown below.

bath

1500 x 700mm acrylic bath, with tread:

2 centre tap holes, with CP grips

OL8222WH

No tap holes, no grips*

OL8200WH

grips (optional extra)

Chrome plated (pair)

BG1395CP

bath panels

Refer to bath panels

bath screens

Suitable for a folding or fixed bath screen.

For options refer to bath screens.

wastes

Refer to wastes

taps & mixers

Refer to taps & mixers.

approvals

Baths manufactured to European & British Standards EN263/EN14516 CL1

material

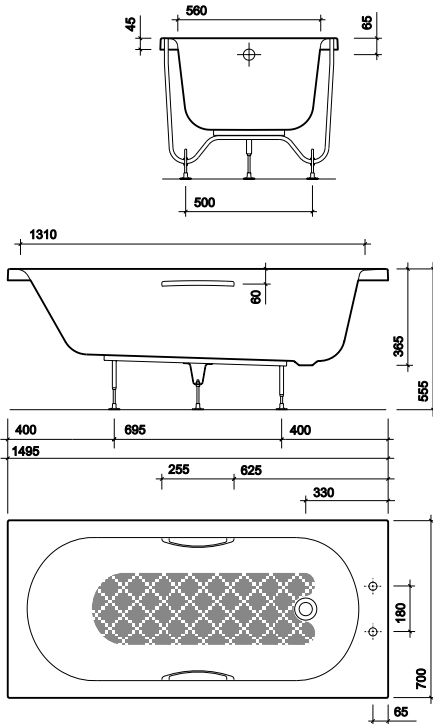
Made from 4mm acrylic sheet reinforced with glass fibre. Note: No tap hole variant has encapsulated baseboard.

colours

White WH.

fixings

Supported on wooden frame with steel cradle and adjustable feet. Clips provided for securing to wall.



All measurements shown are in millimetres.
Drawing sizes are not to scale.



Hotels



Residential



Commercial

Twyford

Geberit Group



opal low capacity 1700 x 700

low capacity bath, 130 litres to overflow
available with or without grips



to specify/order:

Please use the product reference shown below.

bath

1700 x 700mm acrylic bath, 130 litres:

2 centre tap holes, with CP grips

OL8322WH

No tap holes, no grips

OL8300WH

bath panels

Refer to bath panels

bath screen

Suitable for a folding or fixed bath screen.

wastes

Refer to wastes

taps & mixers

Refer to taps & mixers.

material

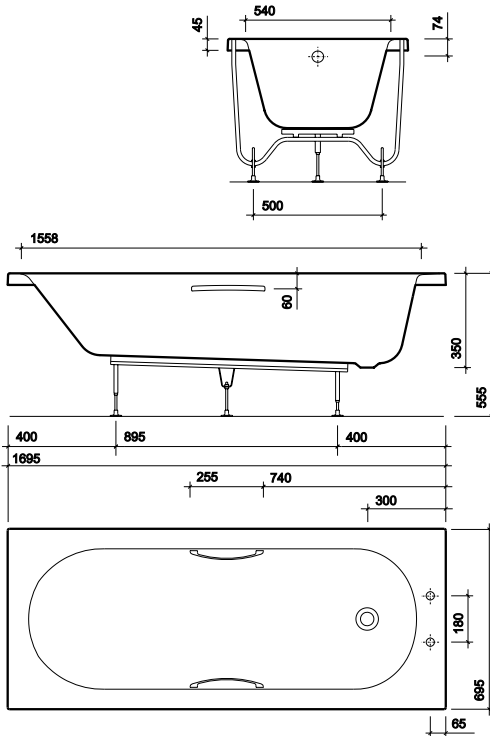
Made from acrylic sheet reinforced with glass fibre.

colours

White WH.

fixings

Supported on wooden frame with steel cradle and adjustable feet. Clips provided for securing to wall.



All measurements shown are in millimetres.
Drawing sizes are not to scale.



Hotels



Residential



Commercial

Twyford

Geberit Group



opal 1700 x 700

available with or without grips



to specify/order:

Please use the product reference shown below.

bath

1700 x 700mm acrylic bath:

2 centre tap holes, with CP grips

No tap holes, no grips

No tap holes, no grips

OL8522WH

OL8502WH

OL8500WH

bath panels

Refer to bath panels

bath screen

Suitable for a folding or fixed bath screen.

wastes

Refer to wastes

taps & mixers

Refer to taps & mixers.

material

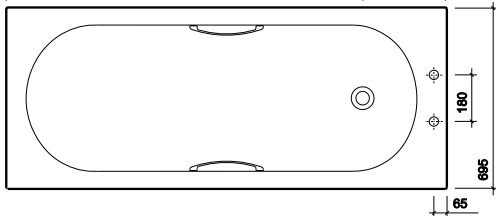
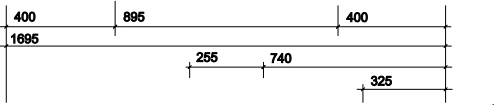
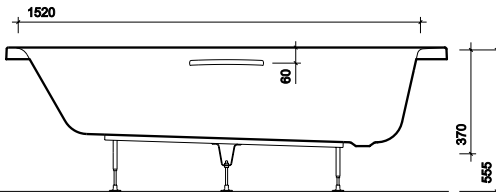
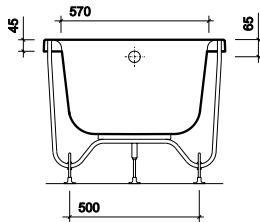
Made from acrylic sheet reinforced with glass fibre. Note: No tap variant has an encapsulated baseboard.

colours

White WH.

fixings

Supported on wooden frame with steel cradle and adjustable feet. Clips provided for securing to wall.



All measurements shown are in millimetres.
Drawing sizes are not to scale.



Hotels



Residential



Commercial

Twyford

Geberit Group

opal 1500 x 700

space saving for smaller bathrooms
available with or without grips



to specify/order:

Please use the product reference shown below.

bath

1500 x 700mm acrylic bath:

2 centre tap holes, with CP grips

No tap holes, no grips

OL8422WH

OL8400WH

bath panels

Refer to bath panels

bath screen

Suitable for a folding bath screen.

wastes

Refer to wastes

taps & mixers

Refer to taps & mixers.

material

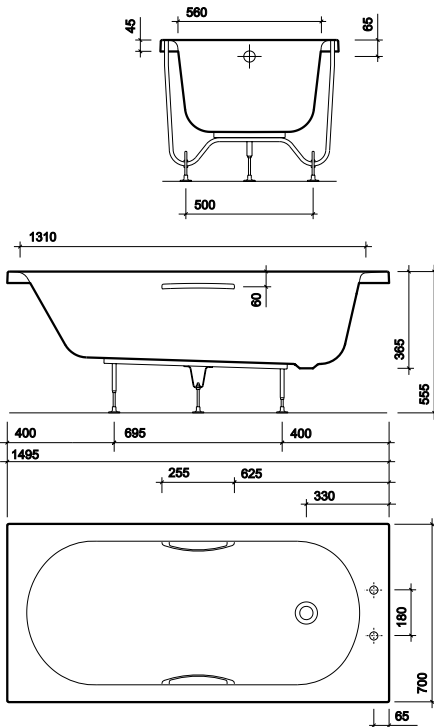
Made from acrylic sheet reinforced with glass fibre. Note: No tap variant has an encapsulated baseboard.

colours

White WH.

fixings

Supported on wooden frame with steel cradle. Note: Adjustable feet pre-assembled secured to wall with clips provided.



All measurements shown are in millimetres.
Drawing sizes are not to scale.



Hotels



Residential



Commercial

Twyford

Geberit Group

signature 1700 x 700

integral headrest and twin soap recesses
patterned standing area
includes chrome grips



to specify/order:

Please use the product reference shown below.

bath

1700 x 700mm acrylic bath, with chrome plated grips:
No tap holes
2 centre tap holes

SE8520WH
SE8522WH

bath panels

Refer to bath panels

bath screen

Suitable for a folding or fixed bath screen.

wastes

Refer to wastes

grips

Chrome plated

BG1365CP

taps & mixers

Refer to taps & mixers.

alternative panels and wastes

Please refer to the pages at the end of this section.

material

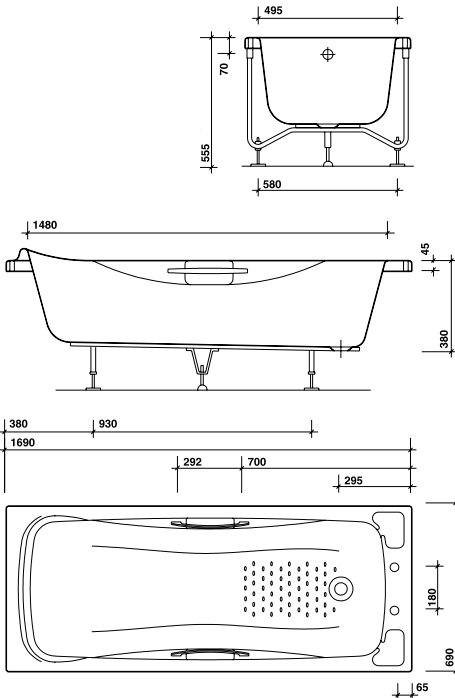
Made from acrylic sheet reinforced with glass fibre.

colours

White WH.

fixings

Supported by wooden frame with steel cradle and adjustable feet. Clips provided for securing to wall.



All measurements shown are in millimetres.
Drawing sizes are not to scale.



Hotels



Residential

Twyford

Geberit Group

celtic low capacity 1700 x 700

economy low volume steel bath with fast fix leg set
1.8mm thick
low capacity - 140 litres to over flow



to specify/order:

Please use the product reference shown below.

bath

1700 x 700mm porcelain enamelled steel bath:
2 tap, grips, slip resist, with legs **CE1572WH**

bath panels

Refer to bath panels

bath screen

Suitable for a folding or fixed bath screen.

wastes

Refer to wastes

taps & mixers

Refer to taps & mixers.

material

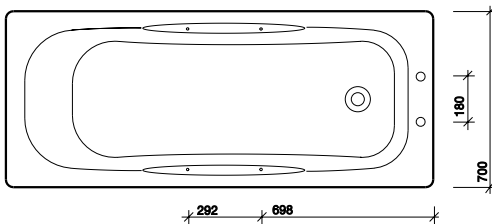
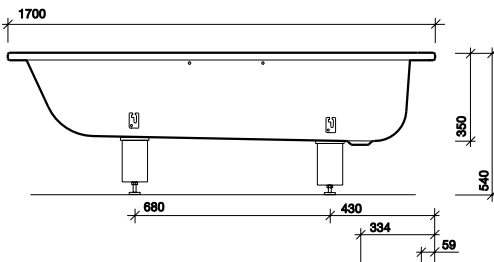
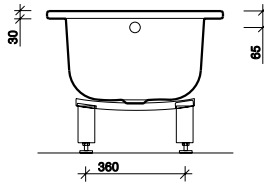
Standard gauge (1.5mm) pressed steel.
Enamelled to BS1344 (0.3mm).

colours

White WH.

fixings

Bolt on adjustable legs. Secured to wall with clips provided.



All measurements shown are in millimetres.
Drawing sizes are not to scale.



Hotels



Commercial



Residential

Twyford

Geberit Group

celtic 1700 x 700

economy general purpose steel bath
fast fix leg set
1.8mm thick



to specify/order:

Please use the product reference shown below.

bath

1700 x 700mm porcelain enamelled steel bath:

2 tap, ungripped, plain, with legs **BS1502WH**

2 tap, grips, plain, with legs **BS1522WH**

No tap, grips, slip resist, no legs **BS1570WH**

2 tap, grips, slip resist, with legs **BS1572WH**

bath panels

Refer to bath panels

bath screen

Suitable for a folding or fixed bath screen.

wastes

Refer to wastes

legset

(Optional with no tap baths)

Legset and wall clips

BG6041XX

taps & mixers

Refer to taps & mixers.

material

Standard gauge (1.5mm) pressed steel.

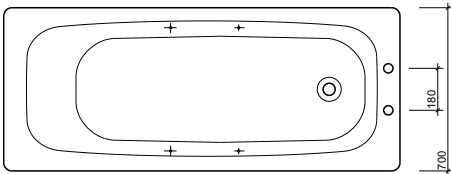
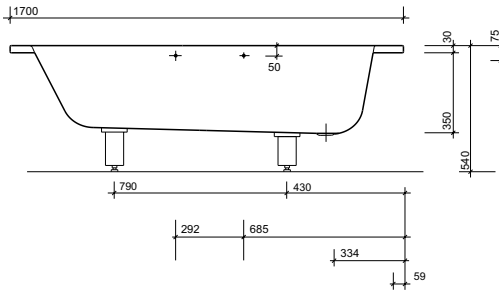
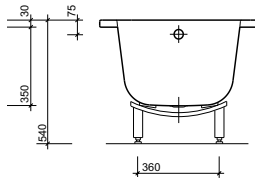
Enamelled to BS1 344 (0.3mm).

colours

White WH.

fixings

Bolt on adjustable legs. Secured to wall with clips provided.



All measurements shown are in millimetres.
Drawing sizes are not to scale.



Hotels



Commercial



Residential

Twyford

Geberit Group

celtic 1600 x 700

economy general purpose steel bath
fast fix leg set
1.8mm thick



to specify/order:

Please use the product reference shown below.

bath

1600 x 700mm porcelain enamelled steel bath:

2 tap, ungripped, plain, with legs **BS1202WH**

2 tap, grips, plain, with legs **BS1222WH**

2 tap, grips, slip resist, with legs **BS1272WH**

bath panels

Refer to bath panels.

bath screen

Suitable for a folding or fixed bath screen.

wastes

Refer to wastes

taps & mixers

Refer to taps & mixers.

material

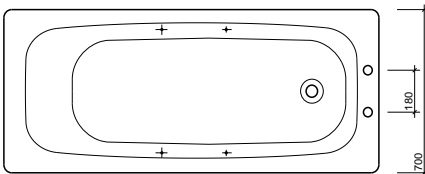
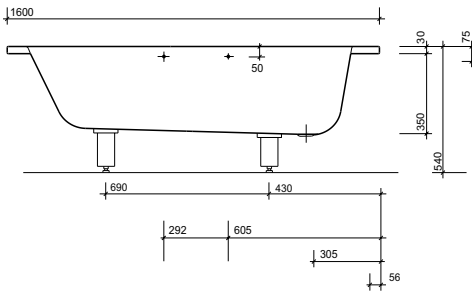
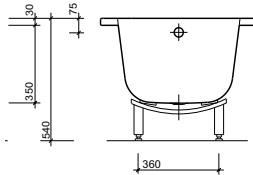
Standard gauge (1.5mm) pressed steel.
Enamelled to BS1 344 (0.3mm).

colour

White WH.

fixings

Bolt on adjustable legs. Secured to wall with clips provided.



All measurements shown are in millimetres.
Drawing sizes are not to scale.



Hotels



Commercial



Residential

Twyford

Geberit Group

celtic 1500 x 700

economy general purpose steel bath
fast fix leg set
1.8mm thick



to specify/order:

Please use the product reference shown below.

bath

1500 x 700mm porcelain enamelled steel bath:

2 tap, ungripped, plain, with legs **BS1402WH**

2 tap, grips, plain, with legs **BS1422WH**

2 tap, grips, slip resist, with legs **BS1472WH**

bath panels

Refer to bath panels

bath screen

Suitable for a folding or fixed bath screen.

wastes

Refer to wastes

taps & mixers

Refer to taps & mixers.

material

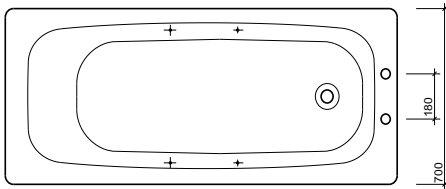
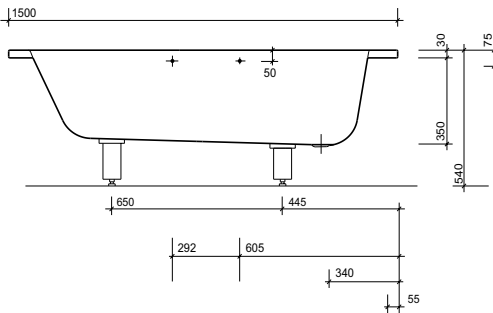
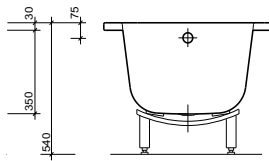
Standard gauge (1.5mm) pressed steel.
Enamelled to BS1344 (0.3mm).

colour

White WH.

fixings

Bolt on adjustable legs. Secured to wall with clips provided.



All measurements shown are in millimetres.
Drawing sizes are not to scale.



Hotels



Commercial



Residential

Twyford

Geberit Group

neptune 1700 x 700

standard gauge pressed steel
optional permanent slip resistant standing area
2.3mm thick



to specify/order:

Please use the product reference shown below.

bath

1700 x 700mm porcelain enamelled steel bath,
with chrome plated grips:

2 tap, ungripped, plain	NE9502WH
2 tap, grips, slip resist	NE9572WH
No tap, ungripped, slip resist	NE9590WH
2 tap, ungripped, slip resist	NE9592WH

dedicated bath panels

Neptune 1700mm front panel	NL7700WH
Neptune 700mm end panel	NL7701WH

bath screen

Suitable for a folding or fixed bath screen.

taps & mixers

Refer to taps & mixers.

material

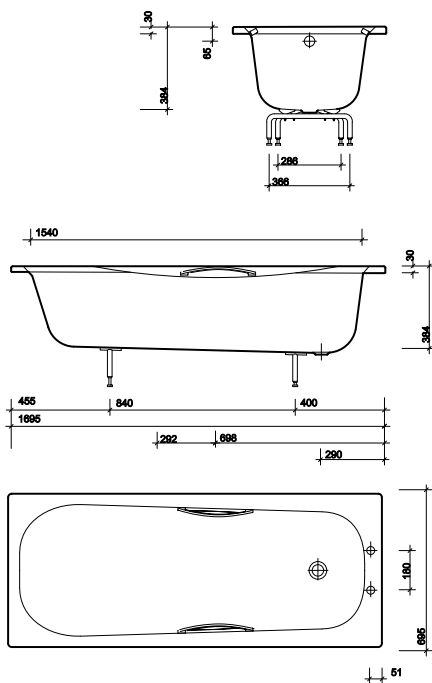
Standard gauge (1.8mm) pressed steel.
Enamelled to BS1 344 (0.5mm).

colours

White WH.

fixings

Cradles with adjustable legs. Screwed to floor
and secured to wall with clips provided.



All measurements shown are in millimetres.
Drawing sizes are not to scale.



Hotels



Commercial



Residential

Twyford

Geberit Group

neptune 1500 x 700

standard gauge pressed steel
optional permanent slip resistant standing area
2.3mm thick



to specify/order:

Please use the product reference shown below.

bath

1500 x 700mm porcelain enamelled steel bath:
2 tap, ungripped, plain **NE9402WH**
2 tap, grips, slip resist **NE9472WH**

dedicated bath panels

Neptune 1500mm front panel **NL7500WH**
Neptune 700mm end panel **NL7701WH**

bath screen

Suitable for a folding or fixed bath screen.

wastes

Refer to wastes

taps & mixers

Refer to taps & mixers.

material

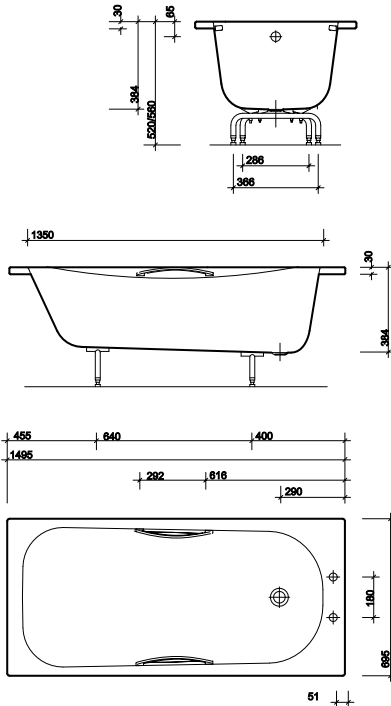
Standard gauge (1.8mm) pressed steel.
Enamelled to BS1344 (0.5mm).

colours

White WH.

fixings

Cradles with adjustable legs. Screwed to floor
and secured to wall with clips provided.



All measurements shown are in millimetres.
Drawing sizes are not to scale.



Hotels



Commercial



Residential

Twyford

Geberit Group

shallow 1700 x 700

typical bathing requires approximately 130 litres of water
 permanent slip resistant standing area
 2.3mm thick



to specify/order:

Please use the product reference shown below.

bath

1700 x 700 porcelain enamelled steel bath:

2 tap, grips, slip resist

SB1772WH

dedicated bath panels

Neptune 1700mm front panel

NL7700WH

Neptune 700mm end panel

NL7701WH

bath screen

Suitable for a folding or fixed bath screen.

wastes

Refer to wastes

taps & mixers

Refer to taps & mixers.

material

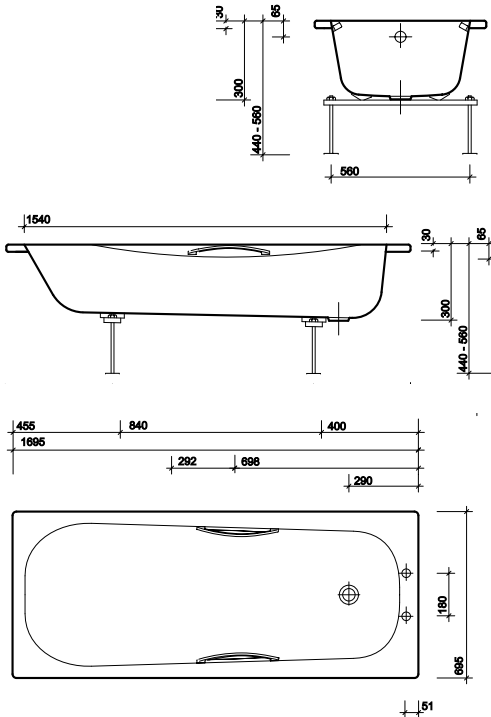
Standard gauge (1.8mm) pressed steel.
 Enamelled to BS1344 (0.5mm).

colours

White WH.

fixings

Cradles with adjustable legs. Secured to wall with clips provided.



All measurements shown are in millimetres.
 Drawing sizes are not to scale.



Hotels



Commercial



Residential

Twyford

Geberit Group

shallow 1500 x 700

typical bathing requires approximately 110 litres of water
permanent slip resistant standing area
2.3mm thick



to specify/order:

Please use the product reference shown below.

bath

1500 x 700mm porcelain enamelled steel bath:
2 tap, grips, slip resist **SB1372WH**

dedicated bath panels

Neptune 1500mm front panel **NL7500WH**
Neptune 700mm end panel **NL7701WH**

wastes

Refer to wastes

taps & mixers

Refer to taps & mixers.

material

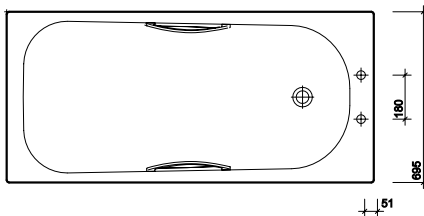
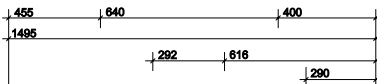
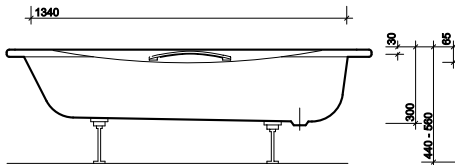
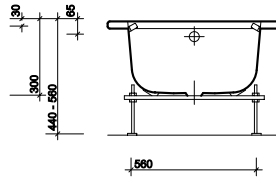
Standard gauge (1.8mm) pressed steel.
Enamelled to BS1344 (0.5mm).

colours

White WH.

fixings

Cracles with adjustable legs. Secured to wall
with clips provided.



All measurements shown are in millimetres.
Drawing sizes are not to scale.



Hotels



Commercial



Residential

Twyford

Geberit Group

bath panels

twin skin polystyrene
bonded deep ribbed backing for strength & rigidity



Endurance bath panels

to specify/order:

Please use the product reference shown below.

endurance

Front panel 1700mm

End panel 700mm

End panel 750mm

PP2181WH

PP2182WH

PP2183WH

material

Twin skin polystyrene (outer skin 3mm, inner skin 2mm).

colours

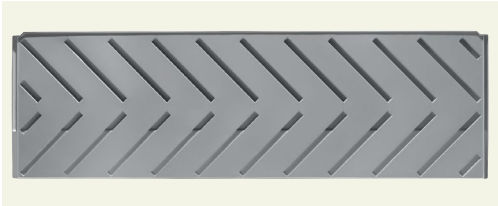
White WH.

fixings

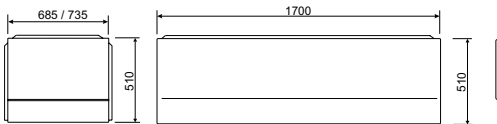
Secured under bath rim using clips supplied with bath and screwed to timber blocks (not provided).

note

Suitable for use with 1700mm baths. Can be trimmed if required.



Reverse side of the panel



All measurements shown are in millimetres.
Drawing sizes are not to scale.



Hotels



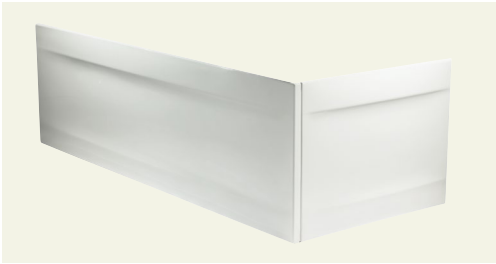
Commercial



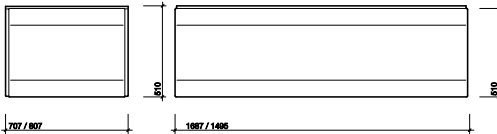
Residential

Twyford
Geberit Group

bath panels



Galerie Callisto bath panels



to specify/order:

Please use the product reference shown below.

galerie callisto

Front panel
(for baths up to 1700mm) **GN7121WH**

Front panel
(for baths up to 1500mm) **GN7125WH**

End panel (for baths up
to 700mm wide) **GN7122WH**

material

Moulded styrene 3.5mm thick.

colours

White WH.

fixings

Secured under bath rim using clips supplied and
screwed to timber blocks (not provided).



Hotels



Residential

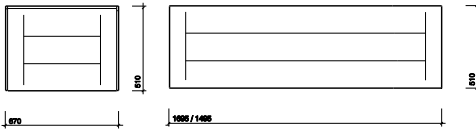
Twyford

Geberit Group

bath panels



Neptune bath panel



to specify/order:

Please use the product reference shown below.

**neptune
(dedicated to neptune baths)**

Design panel:

Front panel (for 1700mm baths) **NL7700WH**

Front panel (for 1500mm baths) **NL7500WH**

material

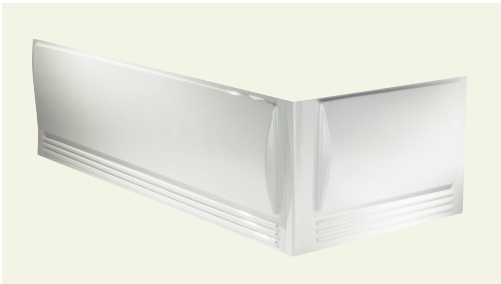
Moulded styrene 1.8mm thick.

colours

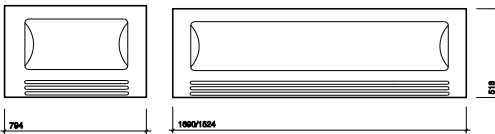
White WH.

fixings

Secured under bath rim using clips supplied with bath and screwed to timber blocks (not provided).



Omnifit bath panels



to specify/order:

Please use the product reference shown below.

omnifit

Front panel (for 1700mm baths) **PP2171WH**

Front panel (for 1524mm baths) **PP2175WH**

End panel
(for baths up to 800mm wide) **PP2172WH**

material

Moulded styrene 2mm thick.

colours

White WH.

fixings

Secured under bath rim using clips supplied with bath and screwed to timber blocks (not provided).

All measurements shown are in millimetres.
Drawing sizes are not to scale.



Hotels



Commercial

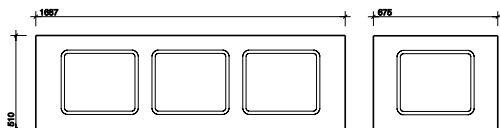


Residential

Twyford
Geberit Group



View with Total Install® bath panels



to specify/order:

Please use the product reference shown below.

view with total install®

1700mm Front panel
700mm End panel

IS21 71WH

IS21 72WH

material

Vinyl laminated mdf.

colours

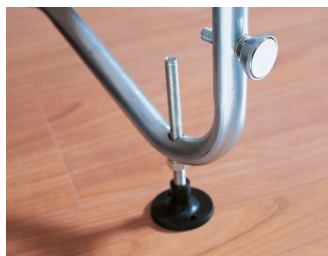
White WH.

fixings

Total Install® bath panels are supplied with magnetic fixings.

note

Full Total Install® feature can only be achieved with this panel when used with the 1700mm Galerie bath.



Magnetic fixings...

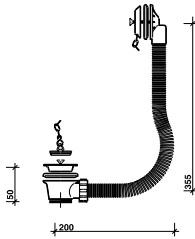


...which are simple and quick to apply

All measurements shown are in millimetres.
Drawing sizes are not to scale.



wastes & traps



Classique waste

to specify/order:

Please use the product reference shown below.

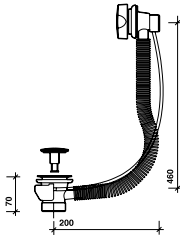
finishes

Chrome plated CP.

classique 1½" chain waste and overflow

Chrome plated

CQ5824CP



Combined waste

to specify/order:

Please use the product reference shown below.

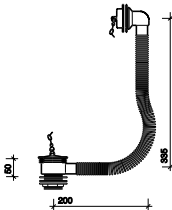
finishes

Chrome plated CP.

combined pop-up waste/overflow

Chrome plated

WF5369CP



Chain waste

to specify/order:

Please use the product reference shown below.

finishes

Chrome plated CP.

chain waste/overflow

Chrome plated

WF5650CP

All measurements shown are in millimetres.
Drawing sizes are not to scale.

For sector applications please refer to bath.

Twyford
Geberit Group

Taps & Mixers

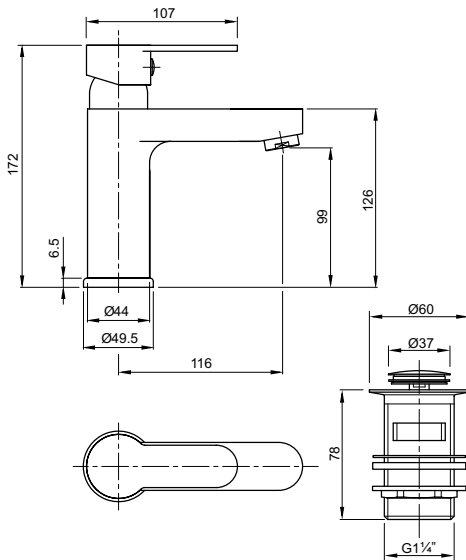


X50 basin mono mixer

complete with ceramic cartridge & flexible tails
suitable for both high & low pressure applications
flow regulator can be added to control water usage & comply with BREEAM



X50 Basin Mono Mixer Inc Click Clack Waste



to specify/order:

Please use the product reference shown below.

X50 basin mono mixer

X50 Basin Mono Mixer
Inc Click Clack Waste

X505126CP

7.5 LPM Flow regulator

XS9075XX

finish

Chrome plated CP.

approvals

WRAS Approved

standards

Chrome plated to BS EN248

system requirements

Can be installed on any system

recommended operating pressure

Minimum operating pressure 0.3 bar.
Maximum operating pressure 5 bar.

note

Maximum surface thickness to fit tap is 44mm.
Easy fit clicker waste (slotted) included.
Attached using 'C' plate fixing kit included.

Deck Mounted Basin Mixer – X505126CP

Flow Rate (Litres per minute)	0.2 Bar	0.5 Bar	1.0 Bar	2.0 Bar	3.0 Bar	5.0 Bar
Standard Mixed	5.5	9.5	14.1	20.2	25.0	32.6
Flow Limiter Fitted (Part No:XS9075XX)	2.22	3.80	5.30	6.97	7.50	7.50

All measurements shown are in millimetres.
Drawing sizes are not to scale.



Hotels



Commercial



Residential

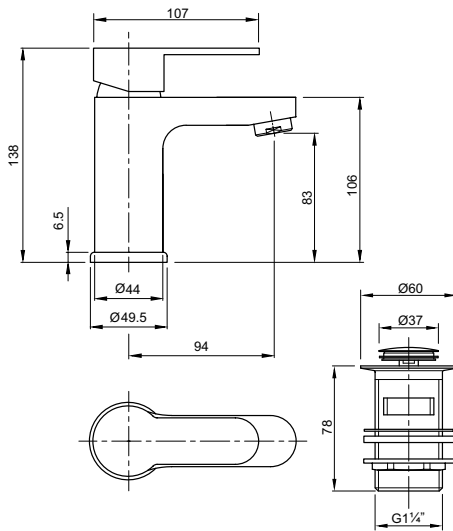
Twyford
Geberit Group

X50 basin mono mixer - mini

complete with ceramic cartridge & flexible tails
suitable for both high & low pressure applications
flow regulator can be added to control water usage & comply with BREEAM



X50 Basin Mono Mixer - Mini Inc Click Clack Waste



to specify/order:

Please use the product reference shown below.

X50 basin mono mixer - mini

X50 Basin Mono Mixer - Mini
Inc Click Clack Waste

X505122CP

7.5 LPM Flow regulator

XS9075XX

finish

Chrome plated CP.

approvals

WRAS Approved

standards

Chrome plated to BS EN248

system requirements

Can be installed on any system

recommended operating pressure

Minimum operating pressure 0.2 bar.
Maximum operating pressure 5 bar.

note

Maximum surface thickness to fit tap is 44mm.
Easy fit clicker waste (slotted) included.
Attached using 'C' plate fixing kit included.

Deck Mounted Mini Basin Mixer – X505122CP

Flow Rate (Litres per minute)	0.2 Bar	0.5 Bar	1.0 Bar	2.0 Bar	3.0 Bar	5.0 Bar
Standard Mixed	5.0	8.6	13.1	18.7	22.5	28.5
Flow Limiter Fitted (Part No:XS9075XX)	2.10	3.80	5.40	6.90	7.50	7.50

All measurements shown are in millimetres.
Drawing sizes are not to scale.



Hotels



Commercial



Residential

Twyford

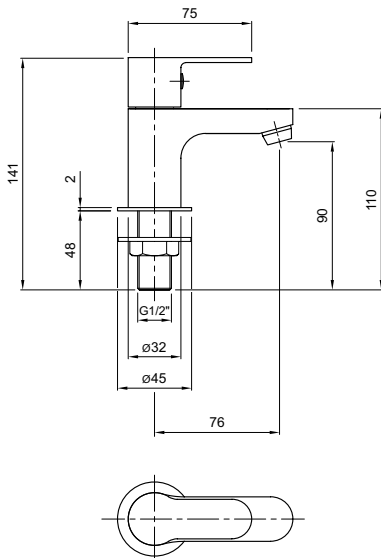
Geberit Group

X50 basin pillar taps

suitable for both high & low pressure applications
flow regulator can be added to control water usage & comply with BREEAM



X50 Basin 1/2" Pillar Taps



to specify/order:

Please use the product reference shown below.

X50 basin pillar taps

X50 Basin 1/2" Pillar Taps

X505205CP

6 LPM Flow regulator

XS9006XX

finish

Chrome plated CP.

approvals

WRAS Approved

standards

Chrome plated to BS EN248

system requirements

Can be installed on any system

recommended operating pressure

Minimum operating pressure 0.2 bar.

Maximum operating pressure 5 bar.

note

Maximum surface thickness to fit tap is 33mm. Plastic back nuts included.

1/2" Basin Pillar Taps – X505205CP

Flow Rate (Litres per minute)	0.2 Bar	0.5 Bar	1.0 Bar	2.0 Bar	3.0 Bar	5.0 Bar
Standard	6.4	10.4	15.1	21.6	26.5	34.2
Flow Limiter Fitted (Part No:XS9006XX)	3	4.9	6	6	6	6

All measurements shown are in millimetres.
Drawing sizes are not to scale.



Hotels



Commercial



Residential

Twyford

Geberit Group

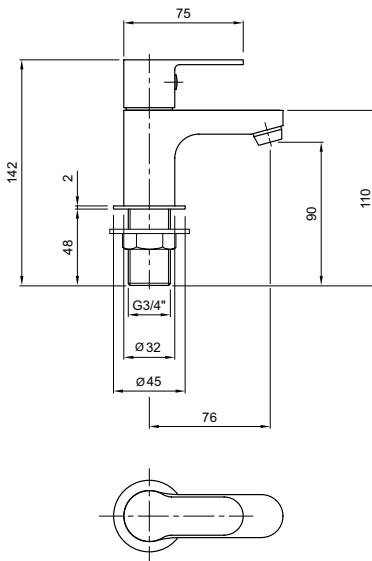
100

X50 bath pillar taps

suitable for both high & low pressure applications



X50 Bath 3/4" Pillar Taps



to specify/order:

Please use the product reference shown below.

X50 bath pillar taps

X50 Bath 3/4" Pillar Taps

X505215CP

finish

Chrome plated CP.

approvals

WRAS Approved

standards

Chrome plated to BS EN248

system requirements

Can be installed on any system

recommended operating pressure

Minimum operating pressure 1 bar.

Maximum operating pressure 5 bar.

note

Maximum surface thickness to fit tap is 33mm.

Plastic back nuts included.

3/4" Bath Pillar Taps – X505215CP

Flow Rate (Litres per minute)	0.2 Bar	0.5 Bar	1.0 Bar	2.0 Bar	3.0 Bar	5.0 Bar
Standard	6.4	10.7	15.6	22.4	27.8	34.6

All measurements shown are in millimetres.
Drawing sizes are not to scale.



Hotels



Commercial



Residential

Twyford

Geberit Group

X50 bath filler - deck mounted

suitable for both high & low pressure applications



X50 Bath Filler Deck Mounted

to specify/order:

Please use the product reference shown below.

X50 bath filler - deck mounted
X50 Bath Filler Deck Mounted **X505255CP**

finish

Chrome plated CP.

approvals

WRAS Approved

standards

Chrome plated to BS EN248

system requirements

Can be installed on any system

recommended operating pressure

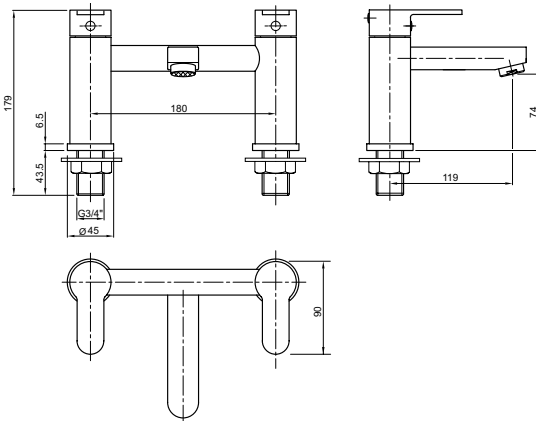
Minimum operating pressure 1 bar.

Maximum operating pressure 5 bar.

note

Maximum surface thickness to fit tap is 33mm.

Plastic back nuts included.



Deck Mounted Bath Filler – X505255CP

Flow Rate (Litres per minute)	0.2 Bar	0.5 Bar	1.0 Bar	2.0 Bar	3.0 Bar	5.0 Bar
Mixed Standard	12	20.2	29.3	37.7	43.4	56.03

All measurements shown are in millimetres.
Drawing sizes are not to scale.



Hotels



Commercial



Residential

Twyford

Geberit Group

X50 bath shower mixer

suitable for both high & low pressure applications



X50 Bath Shower Mixer Deck Mounted

to specify/order:

Please use the product reference shown below.

X50 bath shower mixer

X50 Bath Shower Mixer
Deck Mounted

X505265CP

8 LPM Flow regulator

XS9008XX

finish

Chrome plated CP.

approvals

WRAS Approved

standards

Chrome plated to BS EN248

system requirements

Can be installed on any system

recommended operating pressure

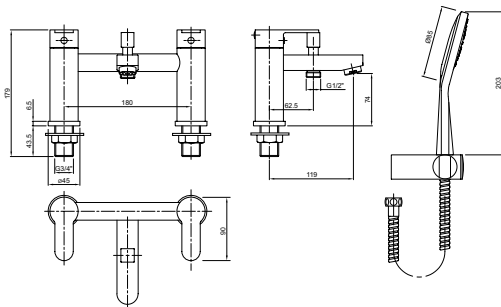
Minimum operating pressure 1 bar.

Maximum operating pressure 5 bar.

note

Maximum surface thickness to fit tap is 33mm.

Plastic back nuts and shower head wall mounting bracket included.



Deck Mounted Bath Shower Mixer – X505265CP

Flow Rate (Litre's per minute)	0.2 Bar	0.5 Bar	1.0 Bar	2.0 Bar	3.0 Bar	5.0 Bar
Mixed Tap Outlet	6.5	10.8	15.6	22.2	27.9	37.4
Handset	3.4	6.5	9.7	14.3	18.1	24.3
Flow Limiter Fitted In Handset (Part No:XS9008XX)	2.6	4.4	6.6	7.4	8	8

All measurements shown are in millimetres.
Drawing sizes are not to scale.



Hotels



Commercial



Residential

Twyford

Geberit Group

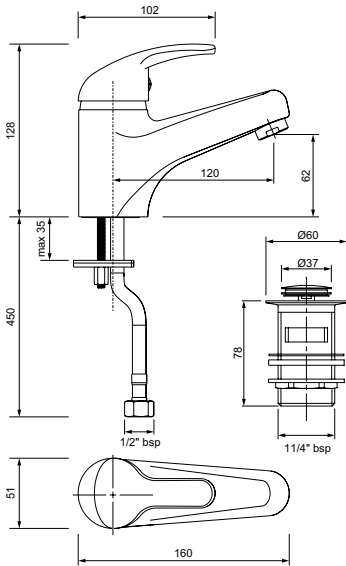
103

X52 low flow basin mono

double click eco function, complying with BREEAM complete with ceramic cartridge and flexible tails



X52 Low Flow Basin Mono Mixer 7/ 4 Litre Inc CC Waste



Basin Mixer – X525126CP

Flow Rate (Litres per minute)	0.5 Bar	1.0 Bar	2.0 Bar	3.0 Bar	4.0 Bar	5.0 Bar
Standard Mixed - ECO (with flow limiter)	1.54	2.36	3.31	3.84	4.66	4.67
Standard Mixed - FULL (with flow limiter)	3.82	5.22	6.70	6.82	6.62	6.44
Standard Mixed - ECO (no flow limiter)	2.70	3.74	4.63	6.40	5.30	6.94
Standard Mixed - FULL (no flow limiter)	7.26	9.99	14.04	17.26	19.57	22.16

All measurements shown are in millimetres.
Drawing sizes are not to scale.

to specify/order:

Please use the product reference shown below.

X52 low flow basin mono

X52 Low Flow Basin Mono Mixer
7/ 4 Litre Inc CC Waste

X525126CP

finish

Chrome plated CP.

approvals

WRAS approved.
BREEAM compliant

standards

Chrome plated to BS EN248

system requirements

Can be installed on any system >0.5 Bar pressure

recommended operating pressure

Minimum operating pressure 0.5 bar.
Maximum operating pressure 8 bar.

note

Maximum surface thickness to fit tap is 35mm.
Attached using 'C' plate fixing kit included.
Easy fit clicker waste (slotted) included.
If required, flow limiter can be replaced with free flow aerator provided.



Hotels



Commercial



Residential

Twyford

Geberit Group

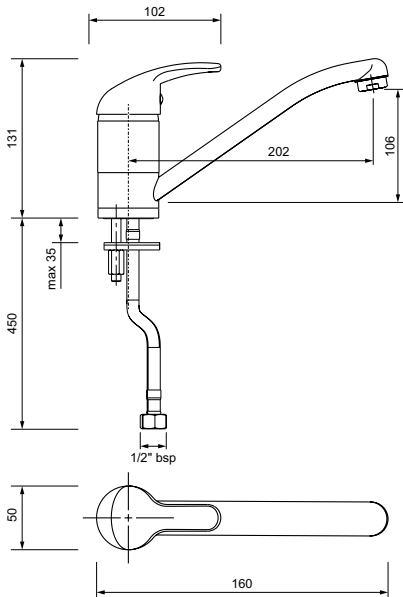
104

X52 low flow kitchen mono

low flow function complying with BREEAM
complete with ceramic cartridge and flexible tails



X52 Low Flow Kitchen Mono Mixer 5 Litre



Kitchen Mixer – X525925CP

Flow Rate (Litres per minute)	0.5 Bar	1.0 Bar	2.0 Bar	3.0 Bar	4.0 Bar	5.0 Bar
Standard Mixed (with flow limiter)	3.08	4.17	5.01	4.66	4.96	5.03
Standard Mixed (no flow limiter)	5.54	7.69	10.65	13.19	15.14	17.06

All measurements shown are in millimetres.
Drawing sizes are not to scale.

to specify/order:

Please use the product reference shown below.

X52 low flow kitchen mono

X52 Low Flow Kitchen
Mono Mixer 5 Litre

X525925CP

finish

Chrome plated CP.

approvals

WRAS approved.
BREEAM compliant

standards

Chrome plated to BS EN248

system requirements

Can be installed on any system >0.5 Bar pressure

recommended operating pressure

Minimum operating pressure 0.5 bar.
Maximum operating pressure 8 bar.

note

Maximum surface thickness to fit tap is 35mm.
Attached using 'C' plate fixing kit included.



Hotels



Commercial



Residential

Twyford
Geberit Group

X52 low flow bath filler

1/4 turn ceramic cartridge



X52 Low Flow Bath Filler Deck Mounted

to specify/order:

Please use the product reference shown below.

X52 low flow bath filler
X52 Low Flow Bath Filler
Deck Mounted

X525255CP

finish

Chrome plated CP.

approvals

WRAS approved .
BREEAM compliant

standards

Chrome plated to BS EN248

system requirements

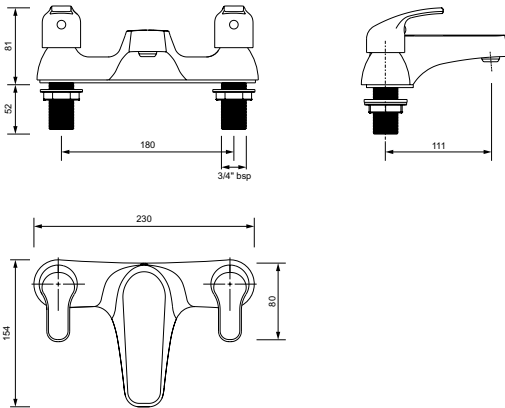
Can be installed on any system >0.5 Bar pressure

recommended operating pressure

Minimum operating pressure 0.5 bar.
Maximum operating pressure 8 bar.

note

Maximum surface thickness to fit tap is 18mm.
Metal back nuts included.



Bath Mixer – X525255CP

Flow Rate (Litres per minute)	0.5 Bar	1.0 Bar	2.0 Bar	3.0 Bar	4.0 Bar	5.0 Bar
Standard Mixed	8.46	10.21	14.70	17.43	19.78	21.84

All measurements shown are in millimetres.
Drawing sizes are not to scale.



Hotels



Commercial



Residential

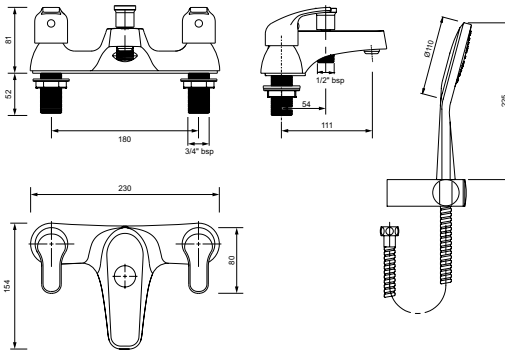
Twyford
Geberit Group

X52 low flow bath shower mixer

1/4 turn ceramic cartridge
shower complies with BREEAM



X52 Low Flow Bath Shower Mixer 6 Litre Deck Mounted



to specify/order:

Please use the product reference shown below.

X52 low flow bath shower mixer
X52 Low Flow Bath Shower Mixer
6 Litre Deck Mounted

X525265CP

finish

Chrome plated CP.

approvals

WRAS approved.
BREEAM compliant

standards

Chrome plated to BS EN248

system requirements

Can be installed on any system >0.5 Bar pressure

recommended operating pressure

Minimum operating pressure 0.5 bar.
Maximum operating pressure 8 bar.

note

Maximum surface thickness to fit tap is 18mm.
Metal back nuts and shower head wall mounting bracket included.
To divert shower hose away from a protruding overflow, use XS0045CP shower hose connector.

Bath Shower Mixer – X525265CP

Flow Rate (Litres per minute)	0.5 Bar	1.0 Bar	2.0 Bar	3.0 Bar	4.0 Bar	5.0 Bar
Mixed Tap Outlet	7.66	9.81	14.30	16.83	19.08	21.34
Flow Limiter Fitted In Handset	2.75	3.40	5.05	5.95	5.85	5.98

All measurements shown are in millimetres.
Drawing sizes are not to scale.



Hotels



Commercial



Residential

Twyford
Geberit Group

X60 basin mono mixer

complete with ceramic cartridge & flexible tails
suitable for both high & low pressure applications
flow regulator can be added to control water usage & comply with BREEAM



X60 Basin Mono Mixer Inc Click Clack Waste

to specify/order:

Please use the product reference shown below.

X60 basin mono mixer

X60 Basin Mono Mixer
Inc Click Clack Waste

X605126CP

7.5 LPM Flow regulator

XS9075XX

finish

Chrome plated CP.

approvals

WRAS Approved

standards

Chrome plated to BS EN248

system requirements

Can be installed on any system

recommended operating pressure

Minimum operating pressure 0.2 bar.

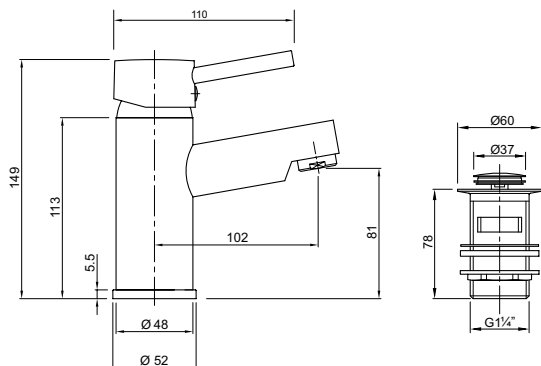
Maximum operating pressure 5 bar.

note

Maximum surface thickness to fit tap is 44mm.

Easy fit clicker waste (slotted) included.

Attached using 'C' plate fixing kit included.



Deck Mounted Basin Mixer – X605126CP

Flow Rate (Litres per minute)	0.2 Bar	0.5 Bar	1.0 Bar	2.0 Bar	3.0 Bar	5.0 Bar
Standard Mixed	4.8	7.9	11.7	16.5	22.2	25.9
Flow Limiter Fitted (Part No:XS9075XX)	2.20	3.70	5.20	6.70	6.40	6.5

All measurements shown are in millimetres.
Drawing sizes are not to scale.



Hotels



Commercial



Residential

Twyford

Geberit Group

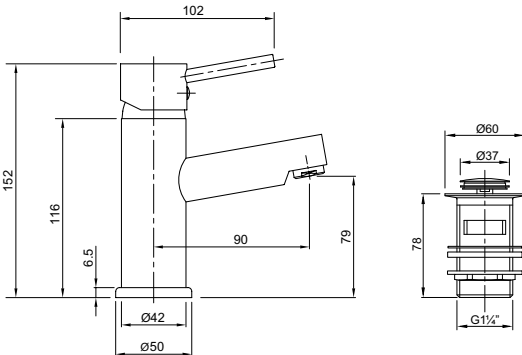
108

X60 basin mono mixer - mini

complete with ceramic cartridge & flexible tails
suitable for both high & low pressure applications
flow regulator can be added to control water usage & comply with BREEAM



X60 Basin Mono Mixer - Mini Inc Click Clack Waste



to specify/order:

Please use the product reference shown below.

X60 basin mono mixer - mini

X60 Basin Mono Mixer - Mini
Inc Click Clack Waste

X605122CP

4 LPM Flow regulator

XS9004XX

finish

Chrome plated CP.

approvals

WRAS Approved

standards

Chrome plated to BS EN248

system requirements

Can be installed on any system

recommended operating pressure

Minimum operating pressure 0.2 bar.

Maximum operating pressure 5 bar.

note

Maximum surface thickness to fit tap is 44mm. Easy fit clicker waste (slotted) included. Attached using 'C' plate fixing kit included.

Deck Mounted Mini Basin Mixer – X605122CP

Flow Rate (Litre's per minute)	0.2 Bar	0.5 Bar	1.0 Bar	2.0 Bar	3.0 Bar	5.0 Bar
Standard Mixed	4.0	6.6	9.0	13.2	16.2	21.2
Flow Limiter Fitted (Part No:XS9004XX)	2.9	4.9	6.10	6.60	7.10	7.80

All measurements shown are in millimetres.
Drawing sizes are not to scale.



Hotels



Commercial



Residential

Twyford

Geberit Group

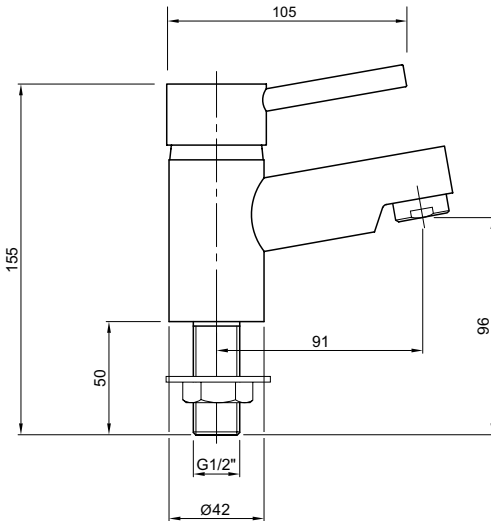
109

X60 basin pillar taps

1/4 turn ceramic cartridge
suitable for both high & low pressure applications
flow regulator can be added to control water usage & comply with BREEAM



X60 Basin 1/2" Pillar Taps



to specify/order:

Please use the product reference shown below.

X60 basin pillar taps

X60 Basin 1/2" Pillar Taps

X605205CP

6 LPM Flow regulator

XS9006XX

finish

Chrome plated CP.

approvals

WRAS Approved

standards

Chrome plated to BS EN248

system requirements

Can be installed on any system

recommended operating pressure

Minimum operating pressure 0.2 bar.

Maximum operating pressure 5 bar.

note

Maximum surface thickness to fit tap is 33mm.

Plastic back nuts included.

1/2" Basin Pillar Taps – X605205CP

Flow Rate (Litres per minute)	0.2 Bar	0.5 Bar	1.0 Bar	2.0 Bar	3.0 Bar	5.0 Bar
Standard Mixed	6.6	11.1	16.1	22.7	27.6	35.8
Flow Limiter Fitted (Part No:XS9006XX)	2.8	4.7	5.7	6	6	6

All measurements shown are in millimetres.
Drawing sizes are not to scale.



Hotels



Commercial



Residential

Twyford

Geberit Group

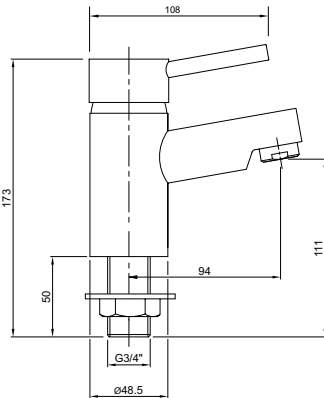
110

X60 bath pillar taps

1/4 turn ceramic cartridge
suitable for both high & low pressure applications



X60 Bath 3/4" Pillar Taps



to specify/order:

Please use the product reference shown below.

X60 bath pillar taps

X60 Bath 3/4" Pillar Taps

X605215CP

finish

Chrome plated CP.

approvals

WRAS Approved

standards

Chrome plated to BS EN248

system requirements

Can be installed on any system

recommended operating pressure

Minimum operating pressure 1 bar.

Maximum operating pressure 5 bar.

note

Maximum surface thickness to fit tap is 33mm.

Plastic back nuts included.

3/4" Bath Pillar Taps – X605215CP

Flow Rate (Litre's per minute)	0.2 Bar	0.5 Bar	1.0 Bar	2.0 Bar	3.0 Bar	5.0 Bar
Standard	11.6	19.7	28.5	40.4	49.5	63.9

All measurements shown are in millimetres.
Drawing sizes are not to scale.



Hotels



Commercial



Residential

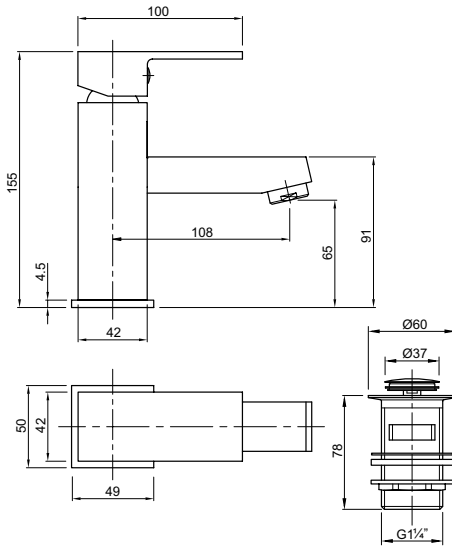
Twyford
Geberit Group

X62 basin mono

complete with ceramic cartridge & flexible tails
suitable for both high & low pressure applications
flow regulator can be added to control water usage & comply with BREEAM



X62 Basin Mono Mixer Inc Click Clack Waste



to specify/order:

Please use the product reference shown below.

X62 basin mono

X62 Basin Mono Mixer
Inc Click Clack Waste

X625126CP

7.5 LPM Flow regulator

XS9075XX

finish

Chrome plated CP.

approvals

WRAS Approved

standards

Chrome plated to BS EN248

system requirements

Can be installed on any system

recommended operating pressure

Minimum operating pressure 0.3 bar.
Maximum operating pressure 5 bar.

note

Maximum surface thickness to fit tap is 44mm.
Easy fit clicker waste (slotted) included.
Attached using 'C' plate fixing kit included.

Deck Mounted Basin Mixer – X625126CP

Flow Rate (Litres per minute)	0.2 Bar	0.5 Bar	1.0 Bar	2.0 Bar	3.0 Bar	5.0 Bar
Standard Mixed	5.2	9.2	13.7	19.7	24.2	31.8
Flow Limiter Fitted (Part No:XS9075XX)	2.22	3.70	5.35	6.7	6.40	6.50

All measurements shown are in millimetres.
Drawing sizes are not to scale.



Hotels



Commercial



Residential

Twyford

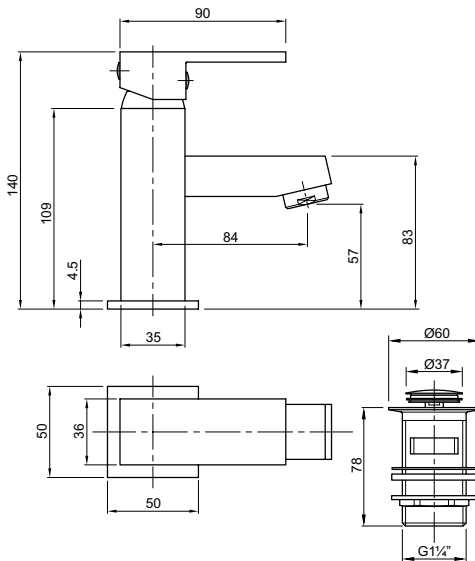
Geberit Group

X62 basin mono mixer - mini

complete with ceramic cartridge & flexible tails
suitable for both high & low pressure applications
flow regulator can be added to control water usage & comply with BREEAM



X62 Basin Mono Mixer - Mini Inc Click Clack Waste



to specify/order:

Please use the product reference shown below.

X62 basin mono mixer - mini

X62 Basin Mono Mixer - Mini
Inc Click Clack Waste

X625122CP

7.5 LPM Flow regulator

XS9075XX

finish

Chrome plated CP.

approvals

WRAS Approved

standards

Chrome plated to BS EN248

system requirements

Can be installed on any system

recommended operating pressure

Minimum operating pressure 0.4 bar.
Maximum operating pressure 5 bar.

note

Maximum surface thickness to fit tap is 44mm.
Easy fit clicker waste (slotted) included.
Attached using 'C' plate fixing kit included.

Deck Mounted Mini Basin Mixer – X625122CP

Flow Rate (Litres per minute)	0.2 Bar	0.5 Bar	1.0 Bar	2.0 Bar	3.0 Bar	5.0 Bar
Standard Mixed	3.2	5.1	7.3	10.5	12.2	16
Flow Limiter Fitted (Part No:XS9075XX)	1.9	3.20	4.80	6.50	6.70	7.00

All measurements shown are in millimetres.
Drawing sizes are not to scale.



Hotels



Commercial



Residential

Twyford

Geberit Group

113

X62 bath filler - deck mounted

1/4 turn ceramic cartridge
suitable for both high & low pressure applications



X62 Bath Filler Deck Mounted

to specify/order:

Please use the product reference shown below.

X62 bath filler - deck mounted
X62 Bath Filler Deck Mounted **X625255CP**

finish

Chrome plated CP.

approvals

WRAS Approved

standards

Chrome plated to BS EN248

system requirements

Can be installed on any system

recommended operating pressure

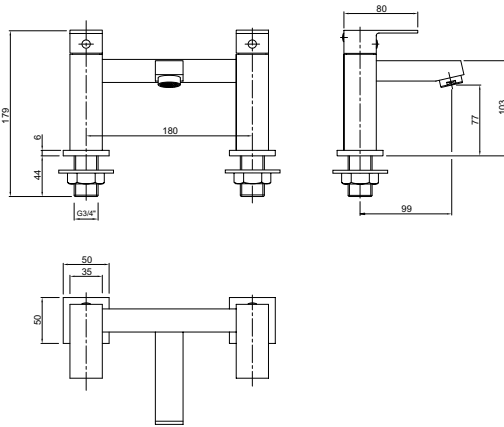
Minimum operating pressure 1 bar.

Maximum operating pressure 5 bar.

note

Maximum surface thickness to fit tap is 33mm.

Plastic back nuts included.



Deck Mounted Bath Filler – X625255CP

Flow Rate (Litres per minute)	0.2 Bar	0.5 Bar	1.0 Bar	2.0 Bar	3.0 Bar	5.0 Bar
Standard Mixed	9.4	15.9	23.1	32.7	37.8	46.03

All measurements shown are in millimetres.
Drawing sizes are not to scale.



Hotels



Commercial



Residential

Twyford
Geberit Group

X62 bath shower mixer

1/4 turn ceramic cartridge
suitable for both high & low pressure applications
flow regulator can be added to control water usage & comply with BREEAM



X62 Bath Shower Mixer Deck Mounted

to specify/order:

Please use the product reference shown below.

X62 bath shower mixer

X62 Bath Shower Mixer
Deck Mounted

X625265CP

8 LPM Flow regulator

XS9008XX

finish

Chrome plated CP.

approvals

WRAS Approved

standards

Chrome plated to BS EN248

system requirements

Can be installed on any system

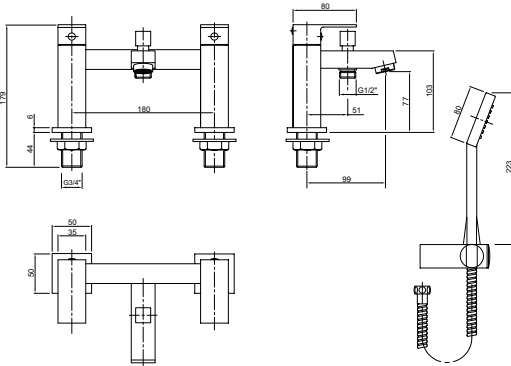
recommended operating pressure

Minimum operating pressure 1 bar.

Maximum operating pressure 5 bar.

note

Maximum surface thickness to fit tap is 33mm. Plastic back nuts and shower head wall mounting bracket included.



Deck Mounted Bath Shower Mixer – X625265CP

Flow Rate (Litres per minute)	0.2 Bar	0.5 Bar	1.0 Bar	2.0 Bar	3.0 Bar	5.0 Bar
Mixed Tap Outlet	7.5	12.8	18.6	26.6	32.6	42.7
Handset	2.5	6.5	9.5	15.0	18.8	25.4
Flow Limiter Fitted In Handset (Part No:XS9008XX)	2.3	4.4	6	8	7.5	6.8

All measurements shown are in millimetres.
Drawing sizes are not to scale.



Hotels



Commercial



Residential

Twyford

Geberit Group

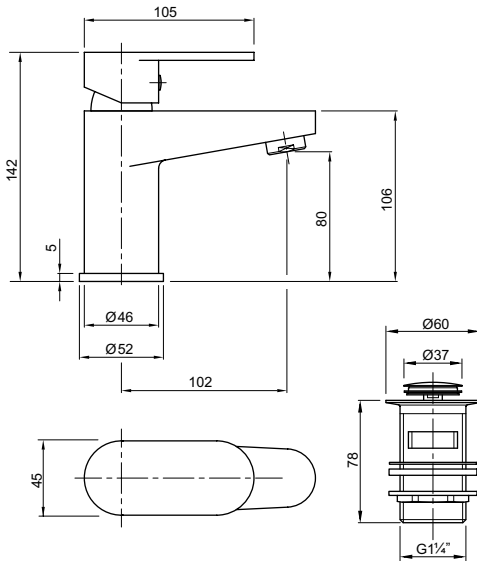
115

X70 basin mono

complete with ceramic cartridge & flexible tails
suitable for both high & low pressure applications
flow regulator can be added to control water usage & comply with BREEAM



X70 Basin Mono Mixer Inc Click Clack Waste



to specify/order:

Please use the product reference shown below.

X70 basin mono

X70 Basin Mono Mixer
Inc Click Clack Waste

X705126CP

7.5 LPM Flow regulator

XS9075XX

finish

Chrome plated CP.

approvals

WRAS Approved

standards

Chrome plated to BS EN248

system requirements

Can be installed on any system

recommended operating pressure

Minimum operating pressure 0.3 bar.
Maximum operating pressure 5 bar.

note

Maximum surface thickness to fit tap is 44mm. Easy fit clicker waste (slotted) included. Attached using 'C' plate fixing kit included.

Deck Mounted Basin Mixer – X705126CP

Flow Rate (Litres per minute)	0.2 Bar	0.5 Bar	1.0 Bar	2.0 Bar	3.0 Bar	5.0 Bar
Standard Mixed	4.9	8.3	12.2	17.5	21.4	27.1
Flow Limiter Fitted (Part No:XS9075XX)	2	3.60	5.20	6.6	6.30	6.2

All measurements shown are in millimetres.
Drawing sizes are not to scale.



Hotels



Commercial



Residential

Twyford

Geberit Group

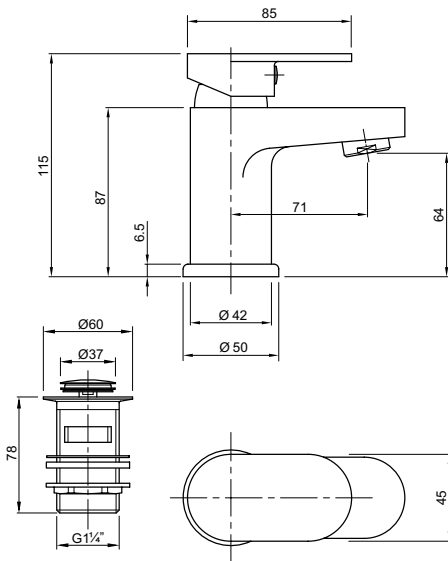
116

X70 basin mono mixer - mini

complete with ceramic cartridge & flexible tails
suitable for both high & low pressure applications
flow regulator can be added to control water usage & comply with BREEAM



X70 Basin Mono Mixer - Mini Inc Click Clack Waste



Deck Mounted Mini Basin Mixer – X705122CP

Flow Rate (Litres per minute)	0.2 Bar	0.5 Bar	1.0 Bar	2.0 Bar	3.0 Bar	5.0 Bar
Standard Mixed	5.6	9.7	13.9	19.8	24.3	31.2
Flow Limiter Fitted (Part No:XS9075XX)	2.2	3.60	5.20	6.70	6.4	6.20

All measurements shown are in millimetres.
Drawing sizes are not to scale.

to specify/order:

Please use the product reference shown below.

X70 basin mono mixer - mini

X70 Basin Mono Mixer - Mini
Inc Click Clack Waste

X705122CP

7.5 LPM Flow regulator

XS9075XX

finish

Chrome plated CP.

approvals

WRAS Approved

standards

Chrome plated to BS EN248

system requirements

Can be installed on any system

recommended operating pressure

Minimum operating pressure 0.2 bar.

Maximum operating pressure 5 bar.

note

Maximum surface thickness to fit tap is 44mm.

Easy fit clicker waste (slotted) included.

Attached using 'C' plate fixing kit included.



Hotels



Commercial



Residential

Twyford

Geberit Group

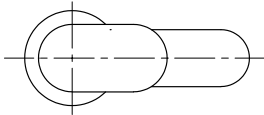
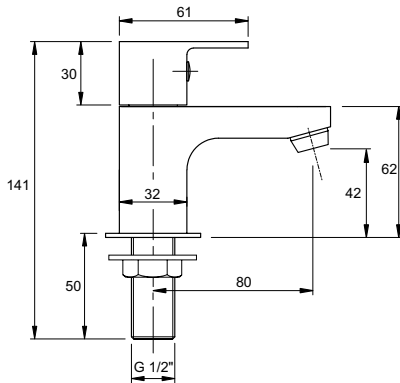
117

X70 basin pillar taps

1/4 turn ceramic cartridge
suitable for both high & low pressure applications
flow regulator can be added to control water usage & comply with BREEAM



X70 Basin 1/2" Pillar Taps



to specify/order:

Please use the product reference shown below.

X70 basin pillar taps

X70 Basin 1/2" Pillar Taps

X705205CP

6 LPM Flow regulator

XS9006XX

finish

Chrome plated CP.

approvals

WRAS Approved

standards

Chrome plated to BS EN248

system requirements

Can be installed on any system

recommended operating pressure

Minimum operating pressure 0.2 bar.

Maximum operating pressure 5 bar.

note

Maximum surface thickness to fit tap is 33mm. Plastic back nuts included.

1/2" Basin Pillar Taps – X705205CP

Flow Rate (Litres per minute)	0.2 Bar	0.5 Bar	1.0 Bar	2.0 Bar	3.0 Bar	5.0 Bar
Standard	6.9	11.0	15.6	22.2	27.1	35.3
Flow Limiter Fitted (Part No:XS9006XX)	3	4.9	6	6	6	6

All measurements shown are in millimetres.
Drawing sizes are not to scale.



Hotels



Commercial



Residential

Twyford
Geberit Group

X70 bath filler - deck mounted

1/4 turn ceramic cartridge
suitable for both high & low pressure applications



X70 Bath Filler Deck Mounted

to specify/order:

Please use the product reference shown below.

X70 bath filler - deck mounted
X70 Bath Filler Deck Mounted **X705255CP**

finish

Chrome plated CP.

approvals

WRAS Approved

standards

Chrome plated to BS EN248

system requirements

Can be installed on any system

recommended operating pressure

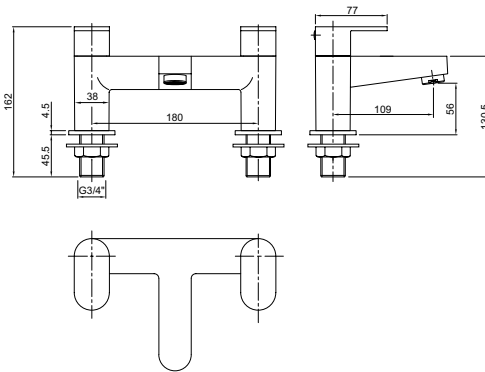
Minimum operating pressure 1 bar.

Maximum operating pressure 5 bar.

note

Maximum surface thickness to fit tap is 33mm.

Plastic back nuts included.



Deck Mounted Bath Filler – X705255CP

Flow Rate (Litres per minute)	0.2 Bar	0.5 Bar	1.0 Bar	2.0 Bar	3.0 Bar	5.0 Bar
Standard Mixed	13.4	22.4	32.2	45.9	56.2	72.6

All measurements shown are in millimetres.
Drawing sizes are not to scale.



Hotels



Commercial



Residential

Twyford
Geberit Group

X70 bath shower mixer

1/4 turn ceramic cartridge
suitable for both high & low pressure applications
flow regulator can be added to control water usage & comply with BREEAM



X70 Bath Shower Mixer Deck Mounted

to specify/order:

Please use the product reference shown below.

X70 bath shower mixer

X70 Bath Shower Mixer
Deck Mounted

X705265CP

8 LPM Flow regulator

XS9008XX

finish

Chrome plated CP.

approvals

WRAS Approved

standards

Chrome plated to BS EN248

system requirements

Can be installed on any system

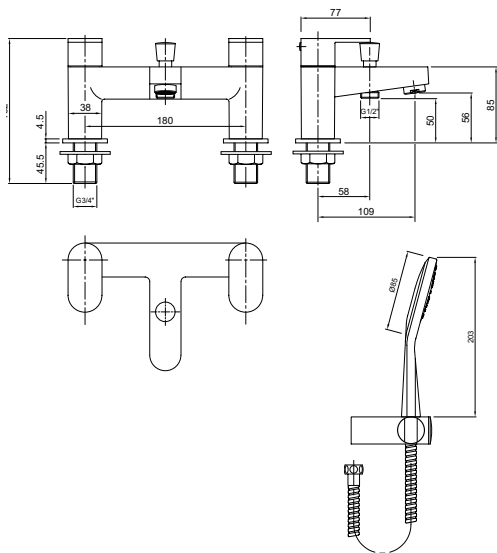
recommended operating pressure

Minimum operating pressure 1 bar.

Maximum operating pressure 5 bar.

note

Maximum surface thickness to fit tap is 33mm. Plastic back nuts and shower head wall mounting bracket included.



Deck Mounted Bath Shower Mixer – X705265CP

Flow Rate (Litres per minute)	0.2 Bar	0.5 Bar	1.0 Bar	2.0 Bar	3.0 Bar	5.0 Bar
Mixed Tap Outlet	13.5	22.8	32.8	46.6	57	73.2
Handset	2.6	7.1	10.5	15.8	20.6	28.3
Flow Limiter Fitted in Handset (Part No:XS9008XX)	2.5	4.6	7	8	8	6.4

All measurements shown are in millimetres.
Drawing sizes are not to scale.



Hotels



Commercial



Residential

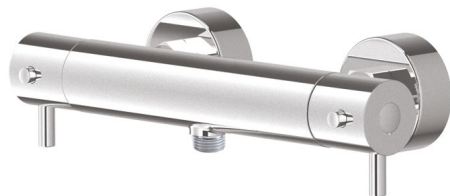
Twyford

Geberit Group

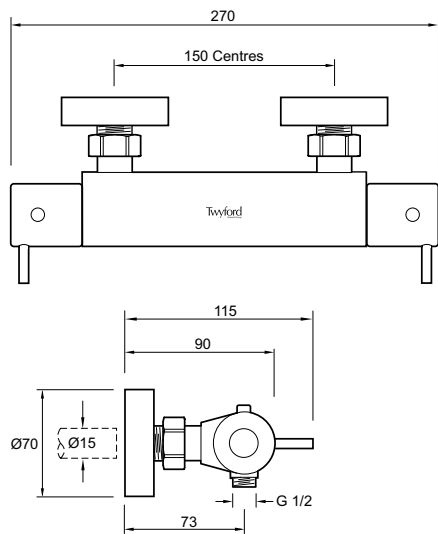
120

X120 thermostatic shower bar valve

ceramic disc cartridge
separate temperature and flow controls



X120 Thermostatic Shower Bar Valve



to specify/order:

Please use the product reference shown below.

X120 thermostatic shower bar valve

X120 Thermostatic Shower Valve **X205112CP**

8 LPM Flow regulator

XS9008XX

shower rail

Sola shower rail, hose & head

SF1256CP

- Single function, smooth hose

- Sola shower rail, hose & head

SF1261CP

- Multi function, braided hose

finish

Chrome plated CP.

approvals

WRAS Approved

system requirements

Gravity fed hot & cold (equal pressures)

Gravity fed hot & mains cold

(Differential pressure, max ratio 5:1)

Unvented systems

Instantaneous water heater (Combination boiler)

Pumped system

recommended operating pressure

Minimum operating pressure 1 bar.

Maximum operating pressure 5 bar.

Maximum static pressure 10 bar.

Hot supply temperature 55°C to 65°C

Cold supply temperature <20°C

Thermostatic Bar Shower Valve – X205112CP

Flow Rate (Litres per minute)	0.5 Bar	1 Bar	2 Bar	3 Bar	4 Bar	5 Bar
No Flow Restrictor	8.6	10.9	15.7	19.6	23.8	25.0
Flow Restrictor Fitted (Part No:XS9008XX)	4.9	6.8	7.3	7.5	7.8	8.0

All measurements shown are in millimetres.
Drawing sizes are not to scale.



Hotels



Commercial



Residential

Twyford

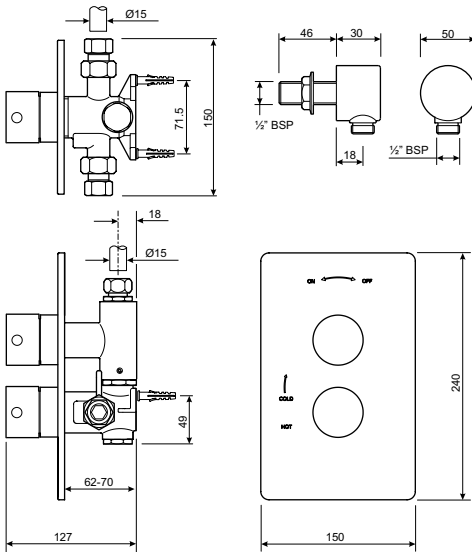
Geberit Group

X120 thermostatic shower valve

recessed and dual control with ceramic cartridge
suitable for both high & low pressure applications
flow regulator can be added to control water usage & comply with BREEAM



X120 Thermostatic Shower Valve



to specify/order:

Please use the product reference shown below.

X120 thermostatic shower valve

X120 Thermostatic Shower Valve **X205042CP**

8 LPM Flow regulator **XS9008XX**

shower rail

Sola shower rail, hose & head **SF1261CP**

finish

Chrome plated CP.

approvals

WRAS Approved

standards

Chrome plated to BS EN248

system requirements

Gravity fed hot & cold (equal pressures)

Gravity fed hot & mains cold

(Differential pressure, max ratio 5:1)

Unvented systems

Instantaneous water heater (Combination boiler)

Pumped system

Minimum cold water supply temp = 5°C

Maximum cold water supply temp = 25°C

Maximum Hot water supply temp = 80 °C

recommended operating pressure

Minimum operating pressure 0.2 bar.

Maximum operating pressure 5 bar.

note

Temperature pre set to max 42°C. Hose outlet included. Will fit a standard 1/2" BSP hose connector.

Thermostatic Recessed Shower Valve – X205042CP

Flow Rate (Litres per minute)	0.5 Bar	1 Bar	2 Bar	3 Bar	4 Bar	5 Bar
Without Flow Regulator Fitted	13.4	19.6	28.4	34.9	39.9	44.0
Flow Limiter Fitted (Part No:XS9008XX)	6.0	7.5	8.0	8.0	8.0	8.0

All measurements shown are in millimetres.
Drawing sizes are not to scale.



Hotels



Commercial



Residential

Twyford

Geberit Group

accessories

to specify/order:

Please use the product reference shown below.
Suitable for X50, X60, X62, X70 & X120, refer to individual product pages



8 LPM Flow regulator

8 litres/min flow regulator

8 LPM Flow regulator for shower outlet

XS9008XX

finish

Chrome plated CP.



7.5 LPM Flow regulator

7.5 litres/min flow regulator

7.5 LPM Flow regulator for mono taps

XS9075XX

finish

Chrome plated CP.



6 LPM Flow regulator

6 litres/min flow regulator

6 LPM Flow regulator for 1/2" pillar tap

XS9006XX

finish

Plastic



4 LPM Flow regulator

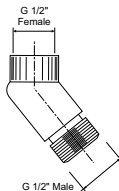
4 litres/min flow regulator

4 LPM Flow regulator for X60 mini mono

XS9004XX

finish

Chrome plated CP.



shower hose connector

Shower hose angled connector
1/2" BSP

XS0045CP

finish

Chrome plated CP.

note

Use to divert shower hose away from a protruding overflow. Suitable for use with Bath Shower Mixers from "X" ranges.

Shower hose angled connector 1/2" BSP

All measurements shown are in millimetres.
Drawing sizes are not to scale.

sola 1/2" lever bib taps

back inlet lever action bib tap
BREEAM compliant when fitted with flow restrictor
shrouded metal quarter turn

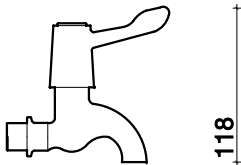


Back inlet lever action bib taps



6" Long levers

48



92

Sola 1/2" Lever BIB Taps, Pair – SF2301CP

Dynamic Pressure	0.5 Bar	1 Bar	2 Bar	3 Bar	4 Bar	5 Bar
Flow Rate (Litres per minute)	12.4	16.1	18.4	25	29	32

The above values are for a single tap only

All measurements shown are in millimetres.
Drawing sizes are not to scale.

to specify/order:

Please use the product reference shown below.

1/2" bib taps lever action

Back inlet, pair

SF2301CP

6" Long levers (pair)

SF2704CP

Basin tap flow regulator

SF6006XX

6ltr/min (pair)

plate - for bib taps:

77mm projection, pair

SF2701CP

115mm projection, pair

SF2702CP

115mm projection,

single, concealed

ZQ5567XX

finish

Chrome plated CP.

approvals

HBN 00-10 C, code TBH1

BREEAM (when flow restrictor fitted)

WRAS Approved



Hotels



Healthcare



Education



Commercial



Less Able

Twyford
Geberit Group

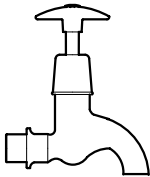
sola 1/2" cross head bib taps

back inlet bib taps cross head
BREEAM compliant when fitted with flow restrictor



Back inlet bib taps cross head

48



92

128

to specify/order:

Please use the product reference shown below.

1/2" bib taps cross head

Back inlet, pair

SF2302CP

Basin tap flow regulator

6ltr/min (pair)

SF6006XX

plate - for bib taps:

77mm projection, pair

SF2701CP

115mm projection, pair

SF2702CP

115mm projection,

single, concealed

ZQ5567XX

finish

Chrome plated CP.

approvals

KIWA

BREEAM (when flow restrictor fitted)

WRAS Approved

All measurements shown are in millimetres.
Drawing sizes are not to scale.



Hotels



Education



Commercial



Residential

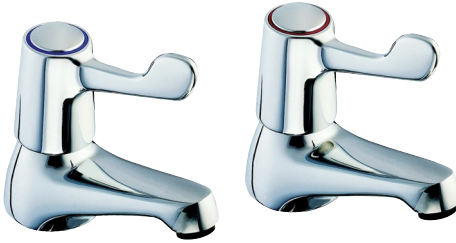
Twyford

Geberit Group

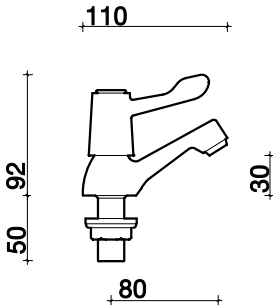
125

sola 1/2" lever action taps

BREEAM compliant when fitted with flow restrictor



Lever action pillar taps



to specify/order:

Please use the product reference shown below.

1/2" lever action pillar taps

Pair

SF2401CP

6" Long levers (pair)

SF2704CP

Basin tap flow regulator

6ltr/min (pair)

SF6006XX

finish

Chrome plated CP.

approvals

HBN 00-10 C, code TP5

BREEAM (when flow restrictor fitted)

WRAS Approved

All measurements shown are in millimetres.
Drawing sizes are not to scale.



Hotels



Healthcare



Education



Commercial



Residential



Less Able

Twyford

Geberit Group

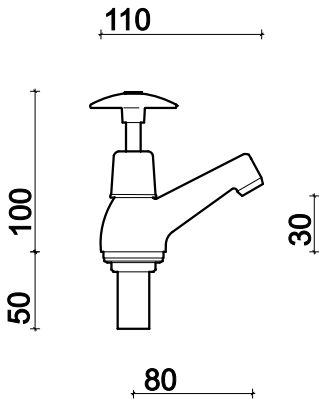
126

sola 1/2" cross head pillar taps

BREEAM compliant when fitted with flow restrictor



Cross head pillar taps



to specify/order:

Please use the product reference shown below.

1/2" basin cross head pillar taps

Pair **SF2201CP**

Basin tap flow regulator

6ltr/min (pair) **SF6006XX**

finish

Chrome plated CP.

approvals

BREEAM (when flow restrictor fitted)

All measurements shown are in millimetres.
Drawing sizes are not to scale.



Hotels



Education



Commercial



Residential

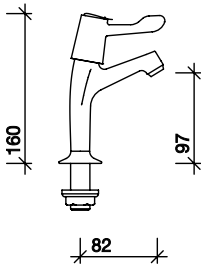
Twyford
Geberit Group

sola 1/2" high neck lever taps

brass back nut
complete with open nozzle & flow straightener
BREEAM compliant when fitted with flow restrictor



High neck lever action pillar taps



to specify/order:

Please use the product reference shown below.

1/2" high neck lever action pillar taps

Pair **SF2403CP**
6" Long levers (pair) **SF2704CP**
Basin tap flow regulator
6ltr/min (pair) **SF6006XX**

extension tubes for use with belfast sinks

Pair **SF2703CP**

finish

Chrome plated CP.

approvals

HBN 00-10 C, code TP3*, KWA*,
BREEAM (when flow restrictor fitted)
WRAS Approved

All measurements shown are in millimetres.
Drawing sizes are not to scale.



Hotels



Healthcare



Education



Commercial



Residential



Less Able

Twyford

Geberit Group

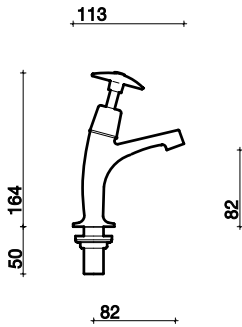
128

sola 1/2" high neck cross head pillar taps

BREEAM compliant when fitted with flow restrictor



High neck cross head pillar taps



to specify/order:

Please use the product reference shown below.

1/2" high neck cross head pillar taps

Pair **SF2203CP**

Basin tap flow regulator

6ltr/min (pair) **SF6006XX**

extension tubes for use with belfast sinks

Pair **SF2703CP**

finish

Chrome plated CP.

approvals

BREEAM (when flow restrictor fitted)

WRAS Approved

All measurements shown are in millimetres.
Drawing sizes are not to scale.



Hotels



Education



Commercial



Residential

Twyford

Geberit Group

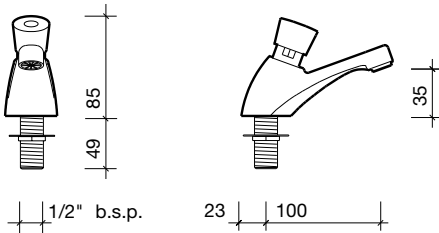
129

sola 1/2" non-concussive taps

complete with spray mixer & flow straightener
water saving operation
complete with flow restrictor to meet BREEAM



Non-concussive tap (pair)



to specify/order:

Please use the product reference shown below.

1/2" non-concussive tap

Single, hot and cold indice
Pair

SF2151CP
SF2152CP

finish

Chrome plated CP.

approvals

BSEN816
WRAS Approved

recommended operating pressure

Minimum operating pressure 0.5 bar.
Maximum operating pressure 10 bar.

note

Suitable for tap hole sizes 25-32mm.
At an inlet pressure of 1 bar taps
give approximately 15 seconds
(+ or - 3 seconds) of flow after
button is pressed.

Flow rates for SF2151CP and SF2152CP												
Pressure (bar)	0.1	0.2	0.3	0.4	0.5	0.6	0.8	1	2	3	4	5
With restrictor (l/min) for BREEAM	1.8	2.4	2.9	3.4	3.8	4.2	4.8	5.3	6.5	7.4	7.9	8.3
Without restrictor (l/min)	3.8	5.3	6.7	7.6	8.5	9.3	10.8	12.0	17.0	20.4	N/A	N/A

All measurements shown are in millimetres.
Drawing sizes are not to scale.



Hotels



Education



Commercial



Less Able

Twyford

Geberit Group

lever action mixer

self draining spout
adjustable temperature limit stop



Lever action mixer

to specify/order:

Please use the product reference shown below.

sequential lever action mixer

With flexible tails

SF5347CP

thermostatic mixing valve

Single applications - 15mm

SF1037XX

finish

Chrome plated CP.

approvals

TMV2 & TMV3 Approved
when installed with SF1037XX
WRAS Approved

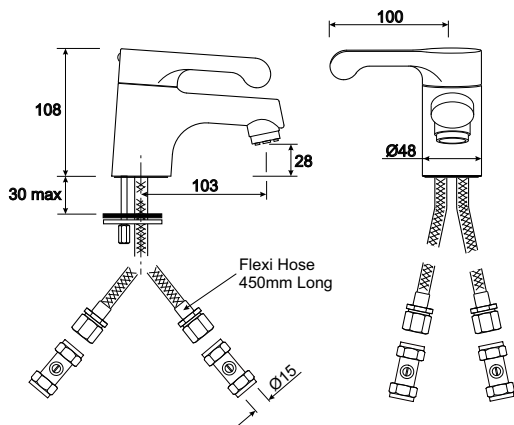


recommended operating pressure

Minimum recommended pressure 0.2 bar
maximum static pressure 10 bar

note

Suitable only for reasonably balanced hot and cold water supplies from a common source.



Sequential Lever Action Mixer Tap – SF5347CP

Flow Rate Max (Ltrs/Min)	0.2 Bar	0.5 Bar	1.0 Bar	2.0 Bar	3.0 Bar	5.0 Bar
With Flow Limiters	2.5	3.6	5.5	6.0	6.0	6.0
Without Flow Limiters	2.5	4.0	8.2	9.6	9.6	11.4

All measurements shown are in millimetres.
Drawing sizes are not to scale.



Hotels



Healthcare



Education



Commercial



Residential



Less Able

Twyford

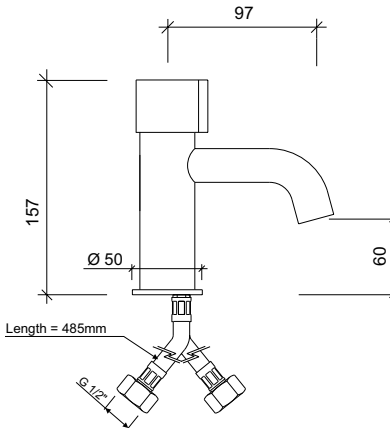
Geberit Group

sola non-concussive tap

water saving operation
temperature controlled when fitted with mixing valve
complete with flow straightener



Non-concussive monobloc



to specify/order:

Please use the product reference shown below.

temperature controlled non-concussive monobloc

Single
Flow restrictor 3.0 LPM x2

SF2104CP
SF0200XX

thermostatic mixing valve

Single applications - 15mm

SF1037XX

finish

Chrome plated CP.

approvals

HBN 00-10 C, code TPP1
TMV2 & TMV3 Approved
when installed with SF1037XX
WRAS Approved



recommended operating pressure

Minimum operating pressure 0.5 bar (dynamic).
Maximum operating pressure 5 bar.

note

At an inlet pressure of 1 bar taps
give approximately 15 seconds
(+ or - 3 seconds) of flow after button
is pressed.

Flow Rate (Litres per minute)	0.5 Bar	1.0 Bar	2.0 Bar	3.0 Bar	4.0 Bar	5.0 Bar
Standard	5.1	7.2	10.7	13.5	16.2	18.5
Flow Limiter Fitted (Part No:SF0200XX)	2.0	2.1	2.2	2.39	2.7	2.7

All measurements shown are in millimetres. Drawing sizes are not to scale.



Hotels



Healthcare



Education



Commercial

Twyford

Geberit Group

sola touch tap

water saving operation
easy to use by less able & children
battery operated



Touch tap electronic monobloc

to specify/order:

Please use the product reference shown below.

touch tap monobloc

Single **SF2105CP**
Flow restrictor 4 LPM x1 **SF0378XX**

thermostatic mixing valve

Single applications - 15mm **SF1037XX**

sola electric conversion kit

Conversion kit **SF2600XX**

finish

Chrome plated CP.

approvals

BREEAM compliant.
TMV2 & TMV3 Approved
when installed with SF1037XX
WRAS Approved



recommended operating pressure

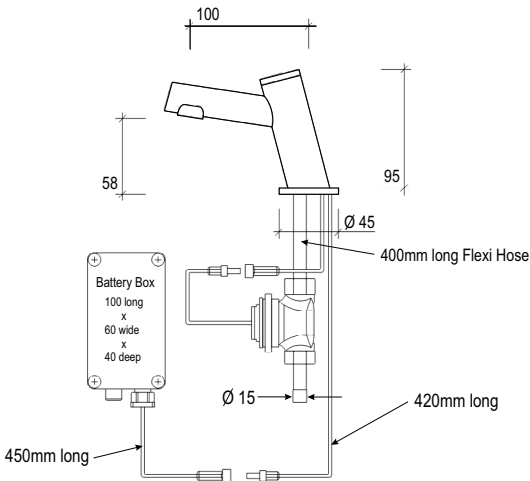
Minimum operating pressure 0.5 bar
(dynamic).
Maximum operating pressure 8 bar.

note

Touch tap to activate and shut off.
Default auto shut off time is approx.
20 seconds which can be adjusted to
up to 60 seconds.

Power supply 9V battery.
Battery life approximately 4 years with
150 operations per day.

Flow restrictor fitted, which can be removed if
required and replaced with flow straightener.



Flow Rate (Litres per minute)	0.5 Bar	1.0 Bar	1.5 Bar	2.0 Bar	2.5 Bar	3.0 Bar
Standard	3.12	3.93	4.71	5.22	5.80	5.95
Flow Limiter Fitted (Part No:SF0378XX)	2.3	3.1	3.48	3.52	3.55	3.55

All measurements shown are in millimetres.
Drawing sizes are not to scale.



Hotels



Education



Commercial



Less Able

Twyford

Geberit Group

sola single lever basin mono mixer

complete with ceramic cartridge
 accompanying flexible tails
 suitable for both high and low pressure applications



sola basin mono mixer

to specify/order:

Please use the product reference shown below.

sola basin mono mixer

sola basin mono mixer

SF5357CP

finish

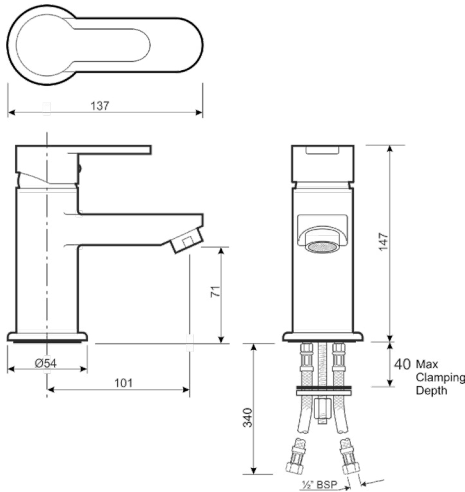
Chrome plated CP.

approvals

WRAS approved

recommended operating pressure

Minimum operating pressure 0.3bar.
 Maximum operating pressure 5.0bar.
 Maximum static pressure 10.0bar.



Mono Mixer Tap - SF5357CP

Flow Rate Max (Ltrs/Min)	0.2 Bar	0.5 Bar	1.0 Bar	2.0 Bar	3.0 Bar	5.0 Bar
With Fitted flow Restrictor	4.3	6.8	7.5	7.5	7.5	7.5
With 3.5ltr flow Restrictor	1.5	2.1	2.8	3.5	3.3	3.2
Without Flow Restrictor	4.3	6.8	9.5	13.1	16.0	20.7

All measurements shown are in millimetres.
 Drawing sizes are not to scale.



Hotels



Education



Commercial



Less Able

Twyford
 Geberit Group

sola wall basin mixer

wall mounted mixer with concealed fixings



to specify/order:

Please use the product reference shown below.

wall mounted basin mixer

Wall mounted basin mixer

SF2501CP

finish

Chrome plated CP.

approvals

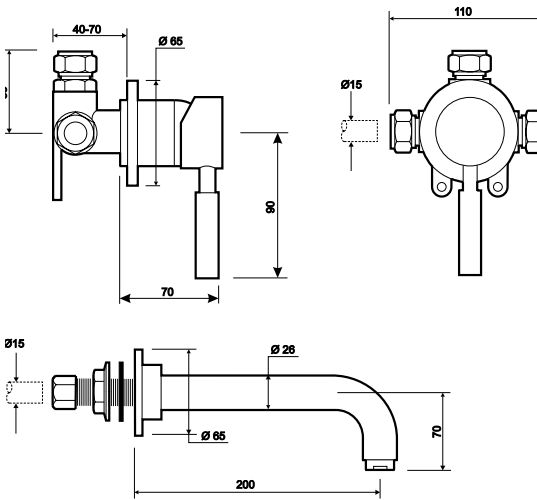
WRAS Approved

recommended operating pressure

Minimum operating pressure 0.5 bar.

Maximum static pressure 10 bar.

Wall mounted basin mixer



Flow rates SF2501CP

Pressure (bar)	0.1	0.2	0.3	0.5	1	2
l/min	3.2	6.2	7.8	9.8	15	19

All measurements shown are in millimetres.
Drawing sizes are not to scale.



Hotels



Education



Commercial

Twyford

Geberit Group

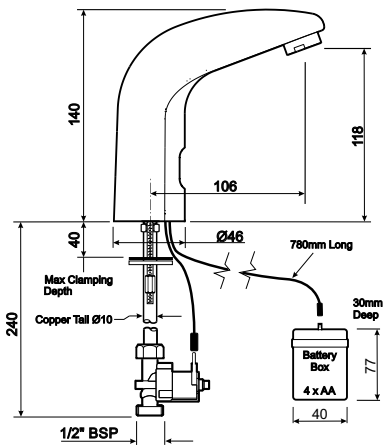
135

sola infra-red tap - battery

Timed flow control automatically shuts off water flow
Hygiene flush after 24 hours of none use
Copper inlets as standard



Sola infra-red tap - battery



to specify/order:

Please use the product reference shown below.

infra red monobloc

Single - battery operated

SF2610CP

thermostatic mixing valve

Single applications - 15mm

SF1037XX

conversion kit

Electric 240v conversion kit

SF1020CP

finish

Chrome plated CP.

approvals

WRAS approved

recommended operating

pressure

Minimum operating pressure 1 bar.
Maximum operating pressure 5 bar.
Maximum static pressure 8 bar

note

Supplied with full service and maintenance instructions.
Suitable for tap hole sizes 30-36mm.
Hygiene flush after 24 hours of none use.
Hygiene flush on time 10 seconds.
Battery Life 100,000 cycles (approx).

Infra Red Tap – SF2610CP

Flow Rate (Litres per minute)	1 Bar	2 Bar	3 Bar	4 Bar	5 Bar
With Fitted Flow Regulator	2.6	3.3	3.6	3.8	4.2
With Supplied Flow Regulator	5.6	6.7	7.0	7.5	7.6
Without Flow Regulator	12.1	16.7	20.1	24.3	29.9



Hotels



Healthcare



Education



Commercial



Less Able

Twyford

Geberit Group

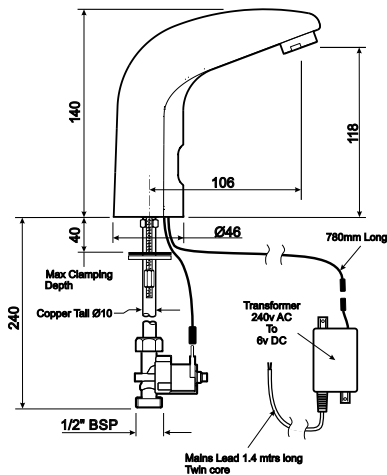
136

sola infra-red tap - mains

Timed flow control automatically shuts off water flow
Hygiene flush after 24 hours of none use
Copper inlets as standard



Sola infra-red tap - mains



to specify/order:

Please use the product reference shown below.

infra red monobloc

Single - mains operated

SF2611CP

thermostatic mixing valve

Single applications - 15mm

SF1037XX

conversion kit

Electric 240v conversion kit

SF1020CP

finish

Chrome plated CP.

approvals

WRAS approved

recommended operating

pressure

Minimum operating pressure 1 bar.
Maximum operating pressure 5 bar.
Maximum static pressure 8 bar

note

Supplied with full service and maintenance instructions.
Suitable for tap hole sizes 30-36mm.
Hygiene flush after 24 hours of none use.
Hygiene flush on time 10 seconds.

Infra Red Tap – SF2611CP

Flow Rate (Litres per minute)	1 Bar	2 Bar	3 Bar	4 Bar	5 Bar
With Fitted Flow Regulator	2.6	3.3	3.6	3.8	4.2
With Supplied Flow Regulator	5.6	6.7	7.0	7.5	7.6
Without Flow Regulator	12.1	16.7	20.1	24.3	29.9



Hotels



Healthcare



Education



Commercial



Less Able

Twyford

Geberit Group

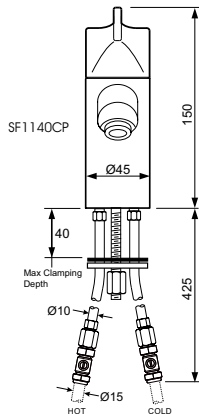
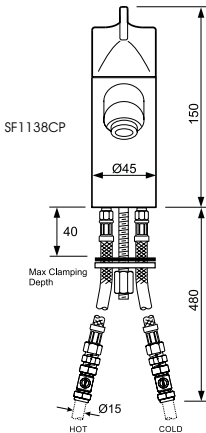
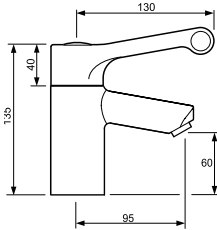
137

sola thermostatic basin mixer with fixed spout

self-draining spout
open hole outlet
flexible or copper hoses as standard



Sola Thermostatic Basin Mixer Tap



to specify/order:

Please use the product reference shown below.

sola thermostatic basin mixer tap

*Including flexible hoses and service valve

SF1138CP

sola thermostatic basin mixer tap

Including copper tails and service valve

SF1140CP

finish

Chrome plated CP.

approvals

BREEAM compliant.
TMV3 Approved
*WRAS Approved



recommended operating pressure

Maximum inlet pressure Static 12bar

Maximum Recommended operating pressure 5bar

Minimum Operating Pressure 0.2bar

Maximum Inlet temperature 85°C

Minimum Inlet Temperature 10°C

Maximum un-balanced pressure ratio (without flow regulator) 5:1

*Minimum Temperature differential 10°C

Pre-set Factory outlet temperature 38°C

*Temperature difference between inlet temperature (Hot or Cold) and outlet temperature to ensure failsafe operation.

Sola Thermostatic Basin Mixer Tap - SF1138CP/SF1140CP

Flow Rate (Litres per minute)	0.5 Bar	1 Bar	2 Bar	3 Bar	4 Bar	5 Bar
With Flow Regulators Fitted	2.7	3.1	3.7	3.8	4.1	4.2

All measurements shown are in millimetres.
Drawing sizes are not to scale.



Hotels



Healthcare



Education



Commercial



Less Able

Twyford

Geberit Group

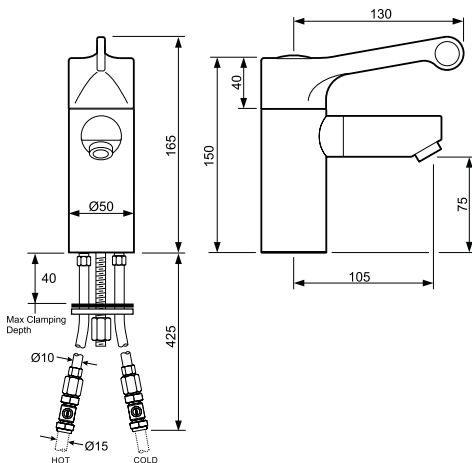
138

sola thermostatic basin mixer with detachable spout

cool touch
removable spout suitable for autoclaving
self-draining spout with smooth internals and open hole outlet



Sola Thermostatic Basin Mixer with Detachable Spout



to specify/order:

Please use the product reference shown below.

thermostatic basin mixer tap

Single lever sequential
thermostatic basin mixer tap:
Including copper tails and
service valves

SF1139CP

finish

Chrome plated CP.

approvals

BREEAM compliant.
TMV3 Approved.
HBN 00-10 C, code TP6, HBN-04-01-A
WRAS Approved



recommended operating pressure

Maximum inlet pressure Static	12bar
Maximum Recommended operating pressure	5bar
Minimum Operating Pressure	0.2bar
Maximum Inlet temperature	85°C
Minimum Inlet Temperature	10°C
Maximum un-balanced pressure ratio (without flow regulator)	5:1
Maximum Un-balance pressure ratio (with flow regulator)	15:1
*Minimum Temperature differential	10°C
Pre-set Factory Outlet Temperature	38°C

*Temperature difference between inlet temperature (Hot or Cold) and outlet temperature to ensure failsafe operation.

Sola Thermostatic Basin Mixer with Detachable Spout - SF1139CP

Flow Rate (Litres per minute)	0.5 Bar	1 Bar	2 Bar	3 Bar	4 Bar	5 Bar
With Flow Regulators Fitted	2.7	2.9	3.5	3.9	4.3	4.4

All measurements shown are in millimetres.
Drawing sizes are not to scale.



Hotels



Healthcare



Education



Commercial



Less Able

Twyford

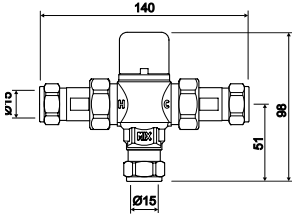
Geberit Group

139

thermostatic mixing valves

to specify/order:

Please use the product reference shown below.



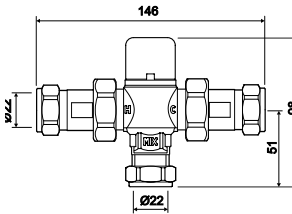
15mm Mixing valve

thermostatic mixing valve
Single applications - 15mm

SF1037XX

finish
Chrome plated.

approvals
TMV2
TMV3
WRAS Approved



22mm Mixing valve

thermostatic mixing valve
Single applications - 22mm

SF1038XX

finish
Chrome plated.

approvals
TMV2
TMV3
WRAS Approved



All measurements shown are in millimetres.
Drawing sizes are not to scale.



Hotels



Healthcare



Education



Commercial



Less Able

Twyford

Geberit Group

140

sola thermostatic dm surgeons mixer lever

flow straightener compliant to HTM 04-01
removable spout version suitable for autoclaving
self draining spout with smooth internals



Deck mounted

to specify/order:

Please use the product reference shown below.

sola thermostatic surgeons mixer, lever, including

Deck mounted, fixed spout **SF1133CP**
Deck mounted, detachable spout **SF1134CP**

finish

Chrome plated CP

approvals

BREEAM compliant
TMV3
WRAS Approved



recommended operating pressure

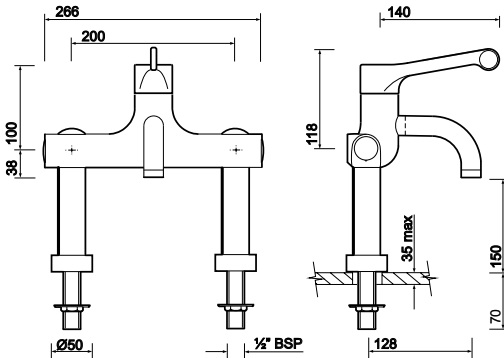
Minimum operating pressure 1 bar.
Maximum static pressure 12 bar.
Maximum dynamic pressure 5 bar.

available accessories

Flushing kit **SF0115XX**
Filter housing removal tool **SF0116XX**
Removable spout **SF0117CP**
Nozzle outlet **SF0118CP**

additional features

- One piece thermostatic cartridge
- Complete with brass back nuts
- Built in pasteurisation facility
- Isolation valves, check valves & filters front accessible
- Cool touch body



Manual Surgeons Mix SF1133/4CP

CP

Flow Rate (Litre's per minute)	1 Bar	2 Bar	3 Bar	4 Bar	5 Bar
With Flow Regulators Fitted	4.1	4.6	5.1	6	6

All measurements shown are in millimetres.
Drawing sizes are not to scale.



Healthcare



Commercial

Twyford

Geberit Group

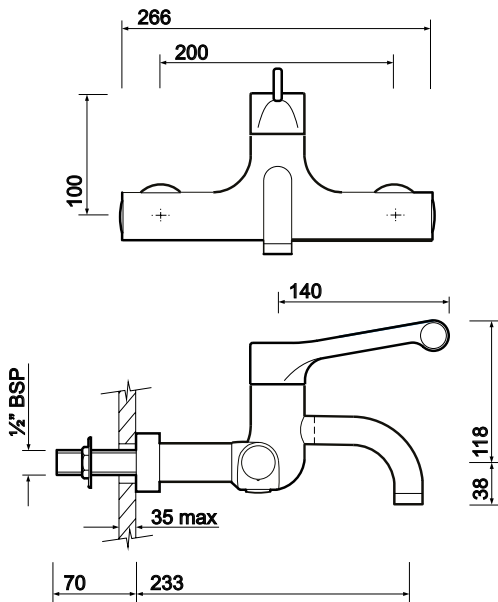
141

sola thermostatic wm surgeons mixer lever

flow straightener compliant to HTM 04-01
removable spout version suitable for autoclaving
self draining spout with smooth internals



Wall mounted



to specify/order:

Please use the product reference shown below.

sola thermostatic surgeons mixer, lever, including

Wall mounted, fixed spout **SF1131CP**
Wall mounted, detachable spout **SF1132CP**

finish

Chrome plated CP

approvals

BREEAM compliant
TMV3
WRAS Approved
HBN 00-10 C, code TB H2A



recommended operating pressure

Minimum operating pressure 1 bar.
Maximum static pressure 12 bar.
Maximum dynamic pressure 5 bar.

available accessories

Flushing kit **SF0115XX**
Filter housing removal tool **SF0116XX**
Removable spout **SF0117CP**
Nozzle outlet **SF0118CP**

additional features

- One piece thermostatic cartridge
- complete with brass back nuts
- Built in pasteurisation facility
- Isolation valves, check valves & filters front accessible
- Cool touch body

Manual Surgeons Mixer – SF1131/2¹ CP

Flow Rate (Litres per minute)	1 Bar	2 Bar	3 Bar	4 Bar	5 Bar
With Flow Regulators Fitted	4.1	4.6	5.1	6	6

All measurements shown are in millimetres.
Drawing sizes are not to scale.



Healthcare



Commercial

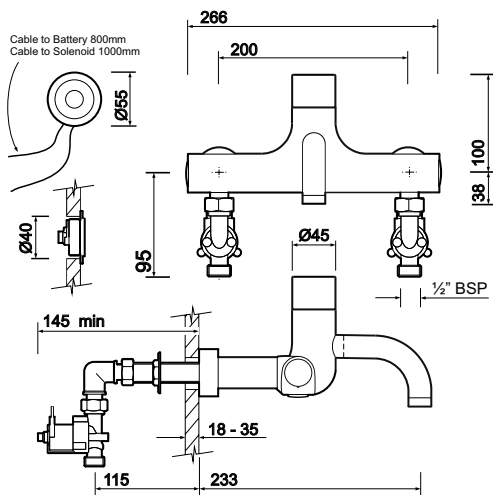
Twyford
Geberit Group

sola thermostatic surgeons mixer infrared

removable spout version suitable for autoclaving
 self draining spout with smooth internals
 24 hour automatic hygiene flush (flow time 60 seconds)



Detachable spout



to specify/order:

Please use the product reference shown below.

sola thermostatic wall mounted surgeons mixer, infrared, including

Fixed spout **SF1129CP**
 Detachable spout **SF1130CP**

Electric 240v conversion kit **SF1020CP**

finish

Chrome plated CP

approvals

BREEM compliant
 TMV3
 WRAS Approved
 HBN 00-10 C, code TB H6



recommended operating pressure

Minimum operating pressure 1 bar.
 Maximum static pressure 12 bar.
 Maximum dynamic pressure 5 bar.

available accessories

Flushing kit **SF0115XX**
 Filter housing removal tool **SF0116XX**
 Removable spout **SF0117CP**
 Nozzle outlet **SF0118CP**

additional features

- Infrared operation, wave on/off with 60 second pre-set flow times
- Cool touch body
- One piece thermostatic cartridge
- Compliant to HTM0401, PRH8941.0.6, HBN00.09
- Built in pasteurisation facility
- Isolation valves, check valves & filters front accessible

Infra Red Surgeons Mixer – SF1129CP & SF1130CP

Flow Rate (Litres per minute)	1 Bar	2 Bar	3 Bar	4 Bar	5 Bar
With Flow Regulators Fitted	4.1	4.6	5.1	6	6

All measurements shown are in millimetres.
 Drawing sizes are not to scale.



Healthcare



Commercial

Twyford

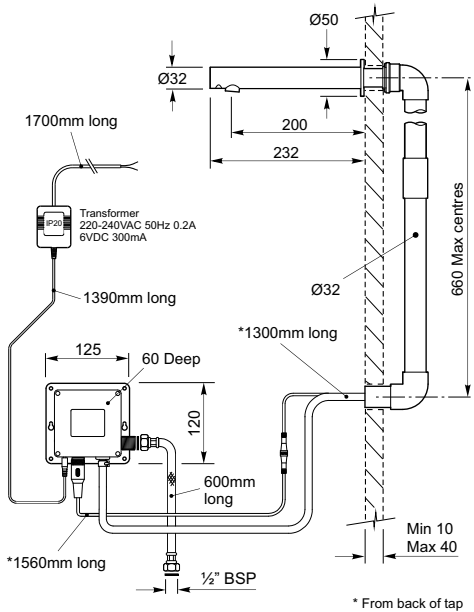
Geberit Group

sola infra red spout

sensor underside of tap for hygienic non-touch operation
 automatically stops after 70 seconds maximum
 battery or mains powered



Sola wall mounted infra red spout, round



to specify/order:

Please use the product reference shown below.

wall mounted infra red spout

Round **SF1249CP**

thermostatic mixing valve

Single applications 15mm **SF1037XX**

finish

Chrome plated CP.

approvals

TMV2 & TMV3 Approved when
 installed with SF1037XX
 BREEAM compliant
 WRAS Approved



recommended operating pressure

Min. operating pressure 0.5 bar
 Maximum operating pressure 5.0 bar

power

Mains
 Transformer 220-240V AC 50Hz 0.2A

battery

6V DC (4x AA, provided)

note

Flow - up to 70 seconds

Wall Mounted Infra-Red Spout, Round – SF1249CP

Flow Rate Max (Ltrs/Min)	0.5 Bar	1 Bar	1.5 Bar	2.0 Bar	3.0 Bar	5.0 Bar
With Flow Limiter fitted	4.3	3.8	3.8	3.8	3.8	3.8

All measurements shown are in millimetres.
 Drawing sizes are not to scale.



Commercial

Twyford

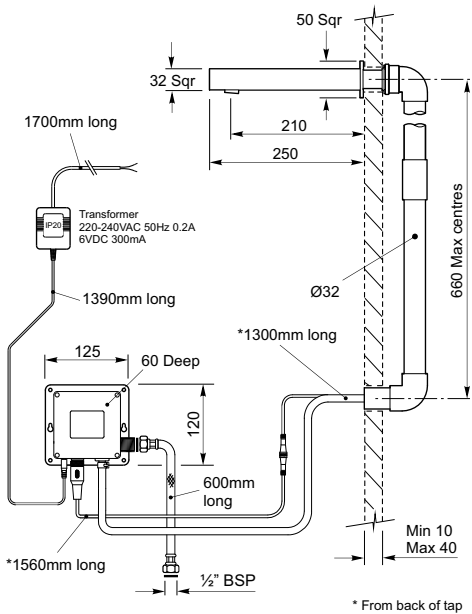
Geberit Group

sola infra red spout

sensor underside of tap for hygienic non-touch operation
 automatically stops after 70 seconds maximum
 battery or mains powered



Sola wall mounted infra red spout, square



to specify/order:

Please use the product reference shown below.

wall mounted infra red spout

Square

SF1250CP

thermostatic mixing valve

Single applications 15mm

SF1037XX

finish

Chrome plated CP.

approvals

TMV2 & TMV3 Approved when

installed with SF1037XX

BREEAM compliant

WRAS Approved



recommended operating pressure

Min. operating pressure 0.5 bar

Maximum operating pressure 5.0 bar

power

Mains

Transformer 220-240V AC 50Hz 0.2A

battery

6V DC (4x AA, provided)

note

Flow - up to 70 seconds

Wall Mounted Infra-Red Spout, Square – SF1250CP

Flow Rate Max (Ltrs/Min)	0.5 Bar	1 Bar	1.5 Bar	2.0 Bar	3.0 Bar	5.0 Bar
With Flow Limiter fitted	4.3	3.8	3.8	3.8	3.8	3.8

All measurements shown are in millimetres.
 Drawing sizes are not to scale.



Commercial

Twyford

Geberit Group

145

sola surgeons mixer accessories

accessories suitable for use with sola thermostatic surgeons mixer
refer to individual product pages for where used



Flushing kit

flushing kit
Flushing kit
SF0115XX

finish
Brass.



Filter housing removal tool

filter housing removal tool
Filter housing removal tool
SF0116XX

finish
Brass.



Removable spout

removable spout
Removable spout
SF0117CP

finish
Chrome plated CP.



Nozzle outlet

nozzle outlet
Nozzle outlet
SF0118CP

finish
Chrome plated CP.

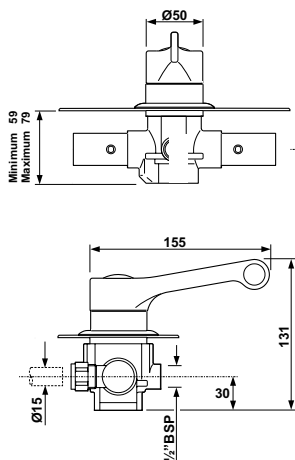
All measurements shown are in millimetres.
Drawing sizes are not to scale.

sola thermostatic concealed shower valves

antiscald failsafe technology
thermostatic control
ergonomic operation



sola thermostatic shower valve - concealed



to specify/order:

Please use the product reference shown below.

thermostatic shower valve

Concealed valve **SF1137CP**
Concealed valve inc. Wall Outlet Elbow **SF1555CP**

shower rail

Sola Shower rail, hose & head
- single function, smooth hose **SF1256CP**
Sola Shower rail, hose & head
- multi function, braided hose **SF1261CP**

finish

Chrome plated CP.

approvals

HBN 00-10 C, code (TM1)
WRAS Approved



system requirements

Suitable for use with unvented supplies, combi boilers, gravity and mains pressure systems.

recommended operating pressure

Max Inlet pressure static 10 Bar.
Max recommended dynamic pressure 5 Bar.
Min operating pressure dynamic 0.2 Bar.
Max unbalanced pressure ratio 5:1.
Inlet connections 15mm.
Outlet connections 1/2".
Max inlet temperature 85°C.
Min Temp differential to ensure failsafe between hot and cold supplies 10°C.

note

Pre-set factory temperature setting 38°C.
Suitable for use with unvented supplies, combi boilers, gravity and mains pressure systems.

Sola TMV3 Shower Valve, Concealed - SF1137CP & SF1555CP

Pressure	0.5 Bar	1 Bar	2 Bar	3 Bar	4 Bar	5 Bar
Flow Rate (Litres per minute)	8.6	10.5	15.2	18.8	22.6	24.5



Hotels



Education



Commercial



Residential



Less Able

Twyford

Geberit Group

147

sola thermostatic exposed shower valves

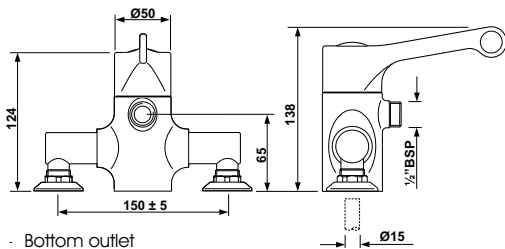
antiscald failsafe technology
thermostatic control
ergonomic operation



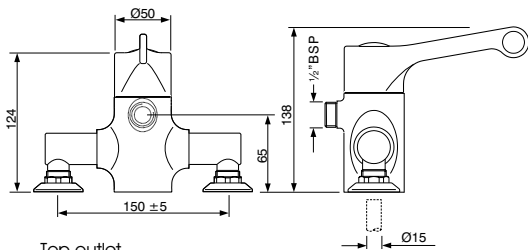
sola thermostatic shower
bottom outlet



sola thermostatic shower
top outlet



Bottom outlet



Top outlet

to specify/order:

Please use the product reference shown below.

thermostatic shower valve

Exposed valve bottom outlet
Exposed valve top outlet

SF1136CP
SF1135CP

shower rail

Sola Shower rail, hose & head
- single function, smooth hose
Sola Shower rail, hose & head
- multi function, braided hose

SF1256CP
SF1261CP

finish

Chrome plated CP.

approvals

WRAS Approved



system requirements

Suitable for use with unvented supplies, combi boilers, gravity and mains pressure systems.

recommended operating pressure

Max Inlet pressure static 10 Bar.
Max recommended dynamic pressure 5 Bar.
Min operating pressure dynamic 0.2 Bar.
Max unbalanced pressure ratio 5:1.
Inlet connections 15mm.
Outlet connections 1/2".
Max inlet temperature 85°C.
Min Temp differential to ensure failsafe between hot and cold supplies 10°C.

note

Pre-set factory temperature setting 38°C.
Suitable for use with unvented supplies, combi boilers, gravity and mains pressure systems.

Sola TMV3 Shower Valve, Exposed - SF1135CP & SF1136CP

Pressure	0.5 Bar	1 Bar	2 Bar	3 Bar	4 Bar	5 Bar
Flow Rate (Litres per minute)	8.4	11.4	15.2	18.6	22.1	23.9



Hotels



Healthcare



Education



Commercial



Residential



Less Able

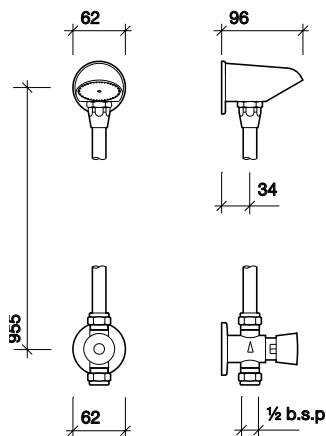
Twyford

Geberit Group

148

sola non-concussive shower

exposed non-concussive shower valve and anti-vandal head
flow restrictor fitted to meet BREEAM



to specify/order:

Please use the product reference shown below.

non-concussive shower valve and vandal resistant head

Exposed

SF1205CP

thermostatic mixing valve

Single applications - 15mm

SF1037XX

finish

Chrome plated CP.

approvals

BREEAM compliant

*TMV2 & TMV3 Approved

when installed with SF1037XX



recommended operating

pressure

Minimum operating pressure 0.1 bar.

Maximum rec. operating pressure 3 bar.

note

At an inlet pressure of 1 bar valve gives approximately 25 seconds (+ or - 3 seconds) of flow after button is pressed.

Inlet connections 15mm.

Outlet connections 2 x 1/2" BSP.

sola non-concussive thermostatic shower valve & head - exposed

Flow rates SF1205CP									
Pressure (bar)	0.1	0.2	0.5	1.0	2.0	3.0	4.0	5.0	
Without restrictor (l/min)	2.6	4.3	7.1	10.6	15.4	19.1	19.8	25.8	
With restrictor (l/min) for BREEAM	1.7	3.1	4.9	7.1	8.5	8.7	8.2	8.6	

All measurements shown are in millimetres.
Drawing sizes are not to scale.



Hotels



Education



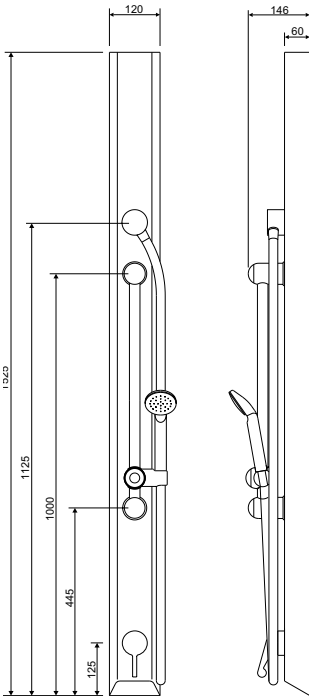
Commercial

Twyford

Geberit Group

sola shower panel

pre plumbed ready to install
single function handset and easy clean hose



to specify/order:

Please use the product reference shown below.

sola shower panel
Including kit

SF1211CP

finish

Stainless Steel

approvals

TMV3
BREEAM compliant
WRAS approved



recommended operating pressure

Minimum pressure drop: 0.5 bar
Maximum operating pressure: 5 bar
Maximum static pressure: 10 bar

note

Pre-set factory temperature setting
43 degrees C.
Inlet connection 15mm

sola shower panel including kit

Flow rates SF1211CP								
Pressure (bar)	0.1	0.2	0.5	1.0	2.0	3.0	4.0	5.0
Flow rate (l/min)	-	-	6	8	8.2	8.4	8.6	8.5

All measurements shown are in millimetres.
Drawing sizes are not to scale.



Hotels



Healthcare



Education



Commercial

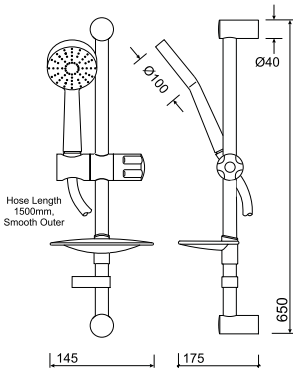
Twyford

Geberit Group

150

sola shower fittings

soap dish
height adjustable handset
available as single or three mode handset



Shower rail, hose & head

Sola Shower Rail Hose & Head
Single Function, smooth hose

SF1256CP

*Outlet Boss

SF1150CP

finish: Chrome plated CP

approvals

WRAS approved

recommended operating pressure

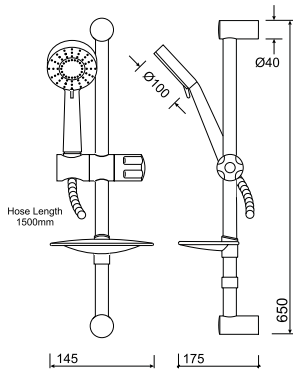
Min. operating pressure 0.1 bar.
Max. dynamic pressure 5 bar.
1500mm hose.

* When used with a Concealed shower



sola shower rail, hose & head - single function

Riser Rail Shower kit, Single Function Head - SF1256CP						
Flow Rate (Litres per minute)	0.5	1.0	2.0	3.0	4.0	4.0
Without Flow Regulator Fitted	9.2	12.7	18.2	22.3	26.	29.1
8 ltr/min Flow Limiter (Supplied)	5.4	7.1	8.4	7.8	7.5	7.6



Shower rail, hose & head

Sola Shower Rail Hose & Head
- Multi Function, braided hose

SF1261CP

8 LPM Flow regulator

XS9008XX

*Outlet Boss

SF1150CP

finish: Chrome plated CP

approvals

WRAS approved

recommended operating pressure

Min. operating pressure 0.1 bar.
Max. dynamic pressure 5 bar.
1500mm hose.

* When used with a Concealed shower



sola shower rail, hose & head - multi function

Riser Rail Shower kit, Multi Function Head - SF1261CP						
Flow Rate (Litres per minute)	0.5	1.0	2.0	3.0	4.0	4.0
Without Flow Regulator Fitted	10.2	14.2	18.9	24.0	27.1	30.5

All measurements shown are in millimetres.
Drawing sizes are not to scale.



Hotels



Healthcare



Education



Commercial



Residential



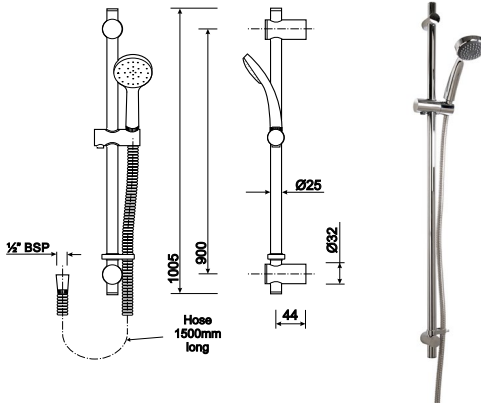
Less Able

Twyford

Geberit Group

sola shower fittings

soap dish
height adjustable handset
available as single or three mode handset



Shower rail, hose & head

Sola Shower Rail Hose & Head
Single Function, braided hose

SF1231CP

finish

Chrome plated CP

approvals

BS8300

recommended operating pressure

Min. operating pressure 0.1 bar.
Max. dynamic pressure 5 bar.

sola shower rail, hose & head - single function

Flow Rate (Litre's per minute)	0.5 Bar	1 Bar	2 Bar	3 Bar	4 Bar	5 Bar
Through Handset (Flow Regulator Fitted)	3.9	5.3	8.0	8.5	9.0	9.0

All measurements shown are in millimetres.
Drawing sizes are not to scale.



Hotels



Healthcare



Education



Commercial



Residential



Less Able

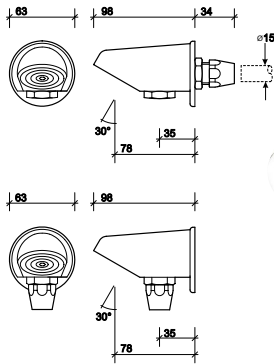
Twyford

Geberit Group

152

sola shower fittings

to specify/order:
Please use the product reference shown below.



Shower vandal resistant head **SF1353CP**

finish
Chrome plated CP.

approvals
BREEAM compliant
WRAS Approved

recommended operating pressure
Minimum operating pressure 0.2 bar.
Maximum operating pressure 10 bar.

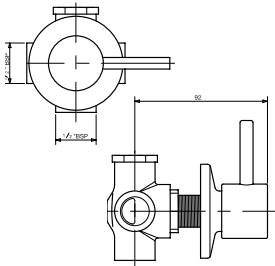
note
Flow regulator fitted, remove if not required.
Single flow.
Durable.



sola shower vandal resistant head

Vandal Resistant Shower Head - SF1353CP

Flow Rate (Litres per minute)	1 Bar	1.5 Bar	2 Bar	2.5 Bar	3 Bar	4 Bar	5 Bar
8 lit/min Flow Limiter Fitted (supplied)	4.9	5.5	6.3	6.8	7.4	8.0	8.3

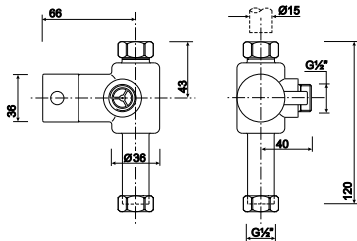


sola shower diverter

Shower diverter **SF1304CP**

finish
Chrome plated CP.

note
3 way diverter with central off position.



sola shower diverter

Shower diverter **SF1207CP**

finish
Chrome plated CP.

note
3 way diverter with central off position.

All measurements shown are in millimetres.
Drawing sizes are not to scale.



Hotels



Healthcare



Education



Commercial



Less Able

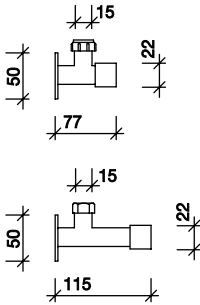
Twyford

Geberit Group

153

accessories

suitable for sola bib taps,
refer to individual product pages



Back inlet bib tap
extension tube/wall plate

1/2" bib taps extension tube/wall plate - for bib taps:

77mm projection, pair
77mm projection, single
115mm projection, pair
115mm projection, single
115mm projection,
single, concealed

SF2701CP
SF2705CP
SF2702CP
SF2706CP

ZQ5567XX

finish: Chrome plated CP.

All measurements shown are in millimetres. Drawing sizes
are not to scale.

Twyford
Geberit Group

Shower Trays



twyford trays - square flat top

simple, stylish, low profile
legs & panel kit & waste to be ordered separately



Square flat top tray

to specify/order:

Please use the product reference shown below.

square - flat top shower tray

760 x 760mm

TR6111WH

800 x 800mm

TR6121WH

900 x 900mm

TR6131WH

1000 x 1000mm

TR6141WH

accessories

Standard legset & panel kit
(for trays up to 1200mm)

TR6012WH

material

Tray: 2/2.5mm acrylic capped ABS, reinforced
with limestone filled polyconcrete.

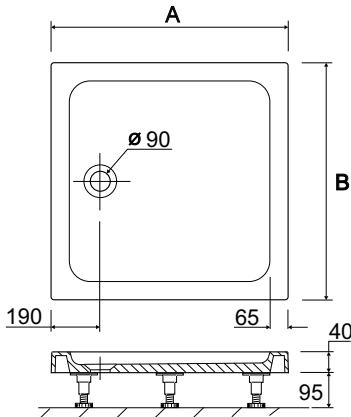
Panel: 2mm gloss UPVC (Unplasticized polyvinyl
chloride).

colours

White WH.

note

All trays can be installed flat to floor, or used
in conjunction with legset & panel kit (to be
ordered separately).



Part Number	Description	A	B
TR6111WH	760 x 760 4 Flat Top Tray	770	770
TR6121WH	800 x 800 4 Flat Top Tray	810	810
TR6131WH	900 x 900 4 Flat Top Tray	910	910
TR6141WH	1000 x 1000 4 Flat Top Tray	1010	1010

All measurements shown are in millimetres.
Drawing sizes are not to scale.



Hotels



Healthcare



Education



Commercial



Residential

Twyford

Geberit Group

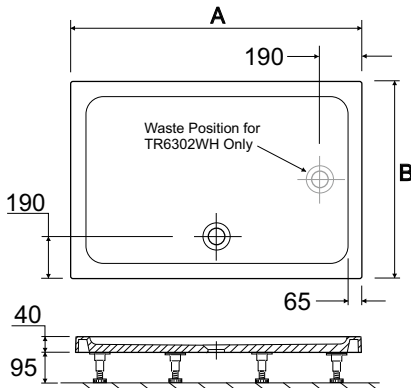
156

twyford trays - rectangle flat top

simple, stylish, low profile
legs & panel kit & waste to be ordered separately



Rectangle flat top tray



Part Number	Description	A	B
TR6331WH	900 x 760 Flat Top Tray	910	770
TR6341WH	1000 x 760 Flat Top Tray	1010	770
TR6342WH	1000 x 800 Flat Top Tray	1010	810
TR6351WH	1100 x 800 Flat Top Tray	1110	810
TR6361WH	1200 x 760 Flat Top Tray	1210	770
TR6362WH	1200 x 800 Flat Top Tray	1210	810
TR6463WH	1200 x 900 Flat Top Tray	1210	910
TR6381WH	1400 x 900 Flat Top Tray	1410	910
TR6391WH	1500 x 800 Flat Top Tray	1510	810
TR6301WH	1600 x 800 Flat Top Tray	1610	810
TR6302WH	1700 x 700 Flat Top Tray	1710	710
TR6303WH	1700 x 750 Flat Top Tray	1710	760
TR6304WH	1700 x 800 Flat Top Tray	1710	810

All measurements shown are in millimetres.
Drawing sizes are not to scale.

to specify/order:

Please use the product reference shown below.

rectangle - flat top shower tray

900 x 760mm
1000 x 760mm
1000 x 800mm
1100 x 800mm
1200 x 760mm
1200 x 800mm
1200 x 900mm
*1400 x 900mm
*1500 x 800mm
*1600 x 800mm
*1700 x 700mm
*1700 x 750mm
*1700 x 800mm

TR6331WH
TR6341WH
TR6342WH
TR6351WH
TR6361WH
TR6362WH
TR6463WH
TR6381WH
TR6391WH
TR6301WH
TR6302WH
TR6303WH
TR6304WH

accessories

Standard legset & panel kit
(for trays up to 1200mm)

TR6012WH

Extension legset & panel kit
(for trays over 1200mm)

TR6013WH

material

Tray: 2/2.5mm acrylic capped ABS, reinforced with limestone filled polyconcrete.
Panel: 2mm gloss UPVC (Unplasticized polyvinyl chloride).

colours

White WH.

note

All trays can be installed flat to floor, or used in conjunction with legset & panel kit (to be ordered separately).

*If installing with legs & panels, BOTH a standard leg/panel kit AND an extension leg/panel kit must be ordered.



Hotels



Healthcare



Education



Commercial



Residential

Twyford

Geberit Group

157

twyford trays - quadrant flat top

simple, stylish, low profile
legs & panel kit & waste to be ordered separately



Quadrant flat top tray

to specify/order:

Please use the product reference shown below.

quadrant - flat top shower tray

800mm **TR6521WH**
900mm **TR6531WH**
1000mm **TR6541WH**

accessories

Quadrant legset & panel kit **TR6011WH**

material

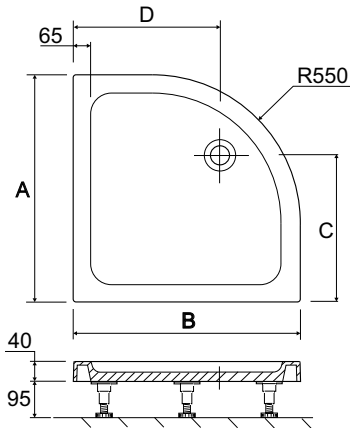
Tray: 2/2.5mm acrylic capped ABS, reinforced with limestone filled polyconcrete.
Panel: 2mm gloss UPVC (Unplasticized polyvinyl chloride).

colours

White WH.

note

All trays can be installed flat to floor, or used in conjunction with legset & panel kit (to be ordered separately).



Part Number	Description	A	B	C	D
TR6521WH	800 x 800 Flat Top Tray	810	810	500	500
TR6531WH	900 x 900 Flat Top Tray	910	910	600	600
TR6541WH	1000 x 1000 Flat Top Tray	1010	1010	700	700

All measurements shown are in millimetres.
Drawing sizes are not to scale.



Hotels



Healthcare



Education



Commercial



Residential

Twyford

Geberit Group

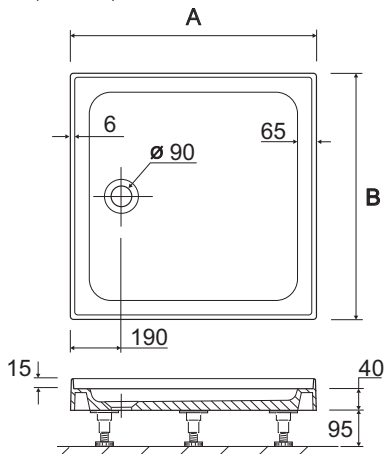
158

twyford trays - square upstand

simple, stylish, low profile
legs & panel kit & waste to be ordered separately



Square upstand tray



to specify/order:

Please use the product reference shown below.

square - 4 upstand shower tray

760 x 760mm

TR6211WH

800 x 800mm

TR6221WH

900 x 900mm

TR6231WH

accessories

Standard legset & panel kit
(for trays up to 1200mm)

TR6012WH

material

Tray: 2/2.5mm acrylic capped ABS, reinforced with limestone filled polyconcrete.

Panel: 2mm gloss UPVC (Unplasticized polyvinyl chloride).

colours

White WH.

note

All trays can be installed flat to floor, or used in conjunction with legset & panel kit (to be ordered separately).

Part Number	Description	A	B
TR6211WH	760 x 760 4 Upstand Tray	770	770
TR6221WH	800 x 800 4 Upstand Tray	810	810
TR6231WH	900 x 900 4 Upstand Tray	910	910

All measurements shown are in millimetres.
Drawing sizes are not to scale.



Hotels



Healthcare



Education



Commercial



Residential

Twyford

Geberit Group

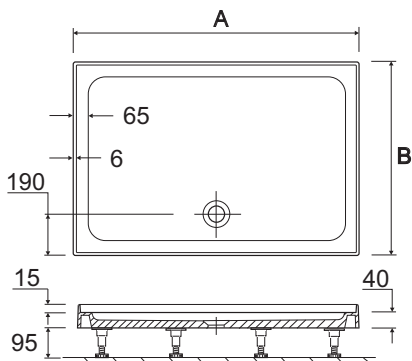
159

twyford trays - rectangle upstand

simple, stylish, low profile
legs & panel kit & waste to be ordered separately



Rectangle upstand tray



to specify/order:

Please use the product reference shown below.

rectangle - 4 upstand shower tray

900 x 760mm	TR6431WH
1000 x 760mm	TR6441WH
1000 x 800mm	TR6442WH
1200 x 760mm	TR6461WH
1200 x 800mm	TR6462WH
*1400 x 900mm	TR6481WH
*1700 x 750mm	TR6401WH

accessories

Standard legset & panel kit
(for trays up to 1200mm) **TR6012WH**

Extension legset & panel kit
(for trays over 1200mm) **TR6013WH**

material

Tray: 2/2.5mm acrylic capped ABS, reinforced with limestone filled polyconcrete.
Panel: 2mm gloss UPVC (Unplasticized polyvinyl chloride).

colours

White WH.

note

All trays can be installed flat to floor, or used in conjunction with legset & panel kit (to be ordered separately).

*If installing with legs & panels, BOTH a standard leg/panel kit AND an extension leg/panel kit must be ordered.

Part Number	Description	A	B
TR6431WH	900 x 760 4 Upsatnd Tray	910	770
TR6441WH	1000 x 760 4 Upstand Tray	1010	770
TR6442WH	1000 x 800 4 Upstand Tray	1010	810
TR6461WH	1200 x 760 4 Upstand Tray	1210	770
TR6462WH	1200 x 800 4 Upstand Tray	1210	810
TR6481WH	1400 x 900 4 Upstand Tray	1410	910
TR6401WH	1700 x 750 4 Upstand Tray	1710	760

All measurements shown are in millimetres.
Drawing sizes are not to scale.



Hotels



Healthcare



Education



Commercial



Residential

Twyford

Geberit Group

160

twyford trays - quadrant upstand

simple, stylish, low profile
legs & panel kit & waste to be ordered separately



Quadrant upstand tray

to specify/order:

Please use the product reference shown below.

quadrant - 2 upstand shower tray

800mm **TR6621WH**

900mm **TR6631WH**

accessories

Quadrant legset & panel kit **TR6011WH**

material

Tray: 2/2.5mm acrylic capped ABS, reinforced with limestone filled polyconcrete.

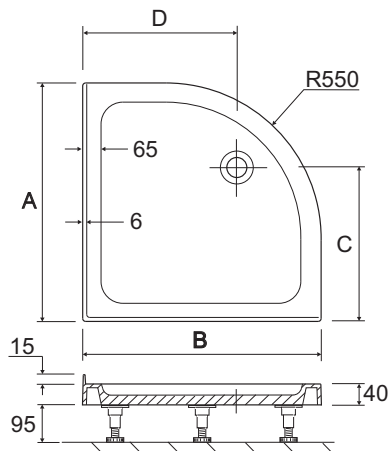
Panel: 2mm gloss UPVC (Unplasticized polyvinyl chloride).

colours

White WH.

note

All trays can be installed flat to floor, or used in conjunction with legset & panel kit (to be ordered separately).



Part Number	Description	A	B	C	D
TR6621WH	800 x 800 2 Upstand Tray	810	810	500	500
TR6631WH	900 x 900 2 Upstand Tray	910	910	600	600

All measurements shown are in millimetres.
Drawing sizes are not to scale.



Hotels



Healthcare



Education



Commercial



Residential

Twyford

Geberit Group

twyford tray accessories

all the products below can be used in conjunction with Twyford Trays



Upstand/seal kit

flexible upstand/seal kit

2800mm long

TR6014WH

2.8 metre flexi seal strip...

- Transforms any flat top tray to a tiling upstand option.
- The professional solution for a watertight shower tray and bath.



Waste pipe

flexible waste pipe

1200mm long

TR6015WH

extendable flexi waste pipe...

- Extends up to approx 1000mm
- Reduces plumbing installation time
- Tested to 1 bar pressure



Legset and panel kits: TR6012WH, TR6013WH & TR6011WH

legset & panel kits

Standard legset & panel kit
(for trays up to 1200mm)

TR6012WH

Extension legset & panel kit
(for trays over 1200mm)

TR6013WH

Quadrant legset & panel kit

TR6011WH

All measurements shown are in millimetres.
Drawing sizes are not to scale.



Hotels



Healthcare



Education



Commercial



Residential

Twyford

Geberit Group

162

Urinals



camden

shallow open bowl design with water guide channels
exposed or concealed cistern and flushpipes



Concealed

Exposed

to specify/order:

Please use the product reference shown below.

urinal

350 x 500 x 330mm
Wall hangers

VC7003WH
SR5307XX

flushpipes

Exposed (univ) flushpipes and spreaders:

1 person	SS6051SS
2 person	SS6052SS
3 person	SS6053SS
4 person	SS6054SS
5 person	SS6055SS

Concealed (univ) flushpipes and spreaders:

1 person	SS6251SS
2 person	SS6252SS
3 person	SS6253SS
4 person	SS6254SS
5 person	SS6255SS

auto cistern including fixings

No cover,

4.5L (single bowl) - VC

CX8711WH

9L (2/3 bowls) - VC

CX8712WH

14L (4/5 bowls) - VC

CX8713WH

9L (2/3 bowls) - Plastic

CX9122XX

14L (4/5 bowls) - Plastic

CX9123XX

division

Division

VC7051WH

outlet grating

Outlet grating, 1 1/2"

WF9370XX

trap

Please refer to traps.

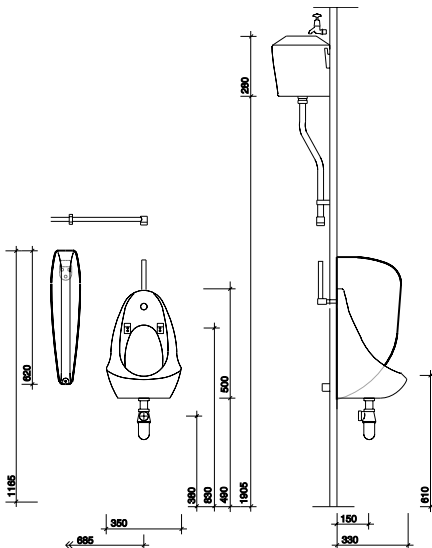
material

Vitreous china.

Stainless steel (flushpipe & spreaders)

colour

White WH.



All measurements shown are in millimetres.
Drawing sizes are not to scale.



Hotels



Education



Commercial

Twyford

Geberit Group

centaurus - waterless

thoroughly hygienic & economically unbeatable
no concealed rim, easy to clean internal & external surfaces
odourwise™ waterless system - no chemicals, no electricity



Waterless

to specify/order:

Please use the product reference shown below.

waterless urinal

375 x 710 x 325mm,
including fixings

VC7520WH

odourwise

Odourwise installation pack:

White 1.5" BSP (75mm flange)

TW6850WH

Chrome 1.5" BSP (75mm flange)

TW6850CP

Odourwise replacement cartridge:

White (pack 10)

TF6800WH

Chrome (pack 10)

TF6800CP

Odourwise misc items:

Replacement valves (pack 2)

TF6810XX

Cleaner satchets (pack 5)

TF6820XX

Spray bottle (each)

TF6830XX

division

Division

VC7051WH

approvals

BREEAM compliant. (Can help towards 3rd credit).

material

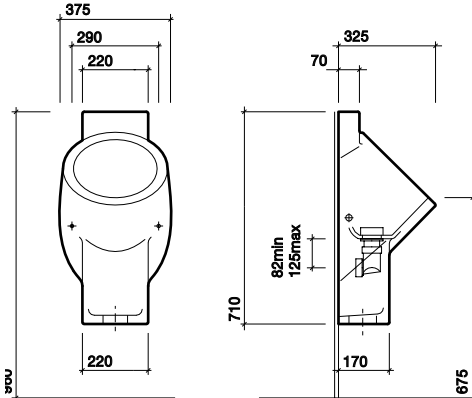
Vitreous china.

finish

KeraTect (easy clean glaze).

colour

White WH.



All measurements shown are in millimetres.
Drawing sizes are not to scale.

 **Odourwise™**



Hotels



Commercial

Twyford

Geberit Group

165

clifton - waterless

thoroughly hygienic and economically unbeatable
compact design with deep bowl
odourwise™ waterless system - no chemicals, no electricity



Waterless

to specify/order:

Please use the product reference shown below.

waterless urinal

305 x 445 x 375mm
Wall hangers

VC7502WH
SR5307XX

odourwise

Odourwise installation pack:

White 1.5" BSP (62mm flange)

TW6840WH

Chrome 1.5" BSP (62mm flange)

TW6840CP

Odourwise replacement cartridge:

White (pack 10)

TF6800WH

Chrome (pack 10)

TF6800CP

Odourwise misc items:

Replacement valves (pack 2)

TF6810XX

Cleaner satchets (pack 5)

TF6820XX

Spray bottle (each)

TF6830XX

division

Division

VC7051WH

approvals

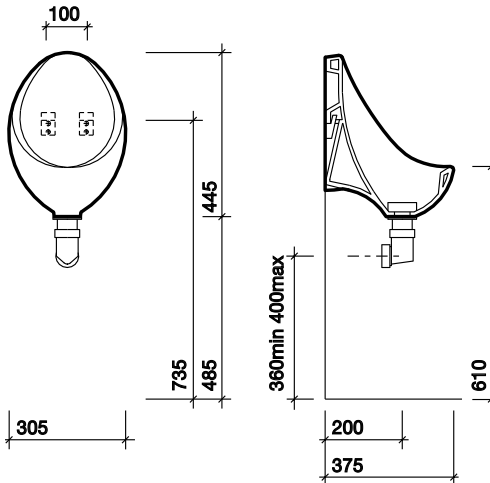
BREEAM compliant. (Can help towards 3rd credit).

material

Vitreous china.

colour

White WH.



All measurements shown are in millimetres.
Drawing sizes are not to scale.

 **Odourwise™**



Hotels



Education



Commercial

Twyford

Geberit Group

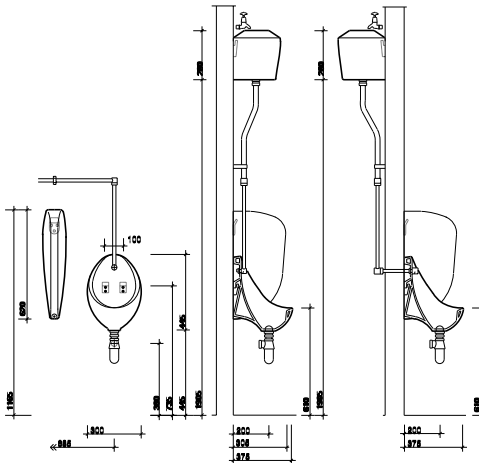
166

exposed or concealed cistern and flushpipes
compact design with deep bowl



Exposed

Concealed



to specify/order:

Please use the product reference shown below.

urinal

305 x 445 x 375mm
Wall hangers

VC7002WH
SR5307XX

flushpipes

Exposed (univ) flushpipes and spreaders:

1 person	SS6051SS
2 person	SS6052SS
3 person	SS6053SS
4 person	SS6054SS
5 person	SS6055SS

Concealed (univ) flushpipes and spreaders:

1 person	SS6251SS
2 person	SS6252SS
3 person	SS6253SS
4 person	SS6254SS
5 person	SS6255SS

auto cistern including fixings

No cover,

4.5L (single bowl) - VC

CX8711WH

9L (2/3 bowls) - VC

CX8712WH

14L (4/5 bowls) - VC

CX8713WH

9L (2/3 bowls) - Plastic

CX9122XX

14L (4/5 bowls) - Plastic

CX9123XX

division

Division

VC7051WH

outlet grating

Outlet grating, 1 1/2"

WF9370XX

trap

Please refer to traps.

material

Vitreous china.

Stainless steel flushpipe and spreaders.

colour

White WH.

All measurements shown are in millimetres.
Drawing sizes are not to scale.



Hotels



Education



Commercial

clifton packs

exposed cistern and flushpipes
compact design with deep bowl



2 persons

to specify/order:

Please use the product reference shown below.

urinal packs

1 person, exposed
2 persons, exposed

PK9604WH

PK9605WH

comprising components

1 person:

Clifton urinal x 1
Wall hangers x 1
Outlet grating 1.5" x 1
Exposed flushpipes - 1 person x 1
Auto cistern 4.5 litre x 1

2 persons:

Clifton urinal x 2
Wall hangers x 2
Outlet grating 1.5" x 2
Exposed flushpipes - 2 persons x 1
Auto cistern 9 litre x 1

division

Division

VC7051WH

trap

Please refer to traps.

material

Vitreous china.
Stainless steel flushpipe and spreaders.

colour

White WH.

All measurements shown are in millimetres.
Drawing sizes are not to scale.



Hotels



Education



Commercial

Twyford

Geberit Group

168

spectrum

fully concealed cistern, flushpipes and waste pipes
designed for panel faced ducts
anti-vandal



Concealed

to specify/order:

Please use the product reference shown below.

urinal

360 x 560 x 330mm

VC7004WH

flushpipes

Concealed (univ) flushpipes and spreaders:

1 person	SS6251SS
2 person	SS6252SS
3 person	SS6253SS
4 person	SS6254SS
5 person	SS6255SS

auto cistern including fixings

No cover,

4.5L (single bowl) - VC

CX8711WH

9L (2/3 bowls) - VC

CX8712WH

14L (4/5 bowls) - VC

CX8713WH

9L (2/3 bowls) - Plastic

CX9122XX

14L (4/5 bowls) - Plastic

CX9123XX

Division

VC7051WH

urinal fixing kit

Fixing kit including bracket and
plastic waste/grating

SR8096XX

approvals

HBN 00-10 C, code URH

material

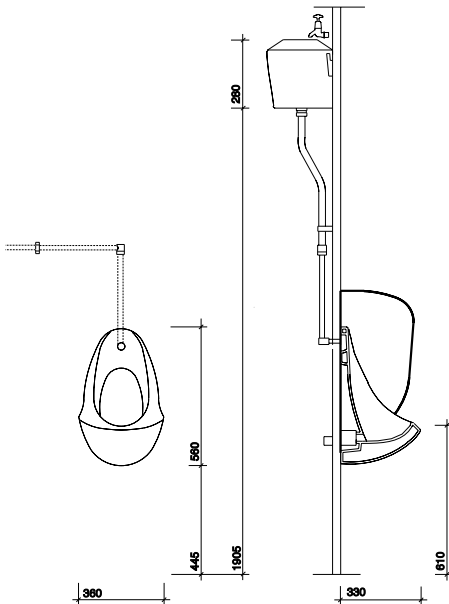
Vitreous china.

colour

White WH.

fixings

Bowl fitted on concealed hangers onto panels
up to 20mm thick.



All measurements shown are in millimetres.
Drawing sizes are not to scale.



Hotels



Healthcare



Education



Commercial

Twyford

Geberit Group

urinal division

For use with all Twyford urinals.



to specify/order:

Please use the product reference shown below.

Urinal division, including fixings **VC7051WH**

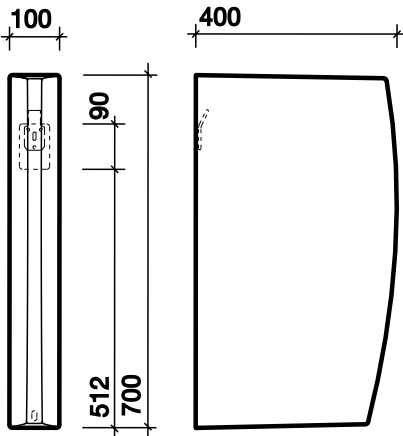
material

Vitreous china.

colours

White WH.

Urinal division



All measurements shown are in millimetres.
Drawing sizes are not to scale.



Hotels



Education



Commercial

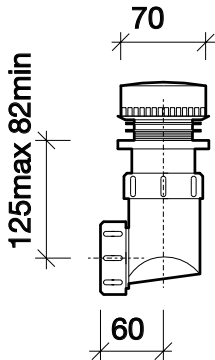
Twyford
Geberit Group

waterless systems

complete & hygienic solutions
for reducing water usage, odours and costs
odourwise™ waterless system - no chemicals, no electricity



Odourwise Installation Pack - Chrome



to specify/order:

Please use the product reference shown below.

odourwise

Odourwise installation packs, for use with waterless urinals.

For use with Clifton Waterless Urinal:

White 1.5" BSP (62mm flange) **TW6840WH**
Chrome 1.5" BSP (62mm flange) **TW6840CP**

For use with Centaurus Waterless Urinals:

White 1.5" BSP (75mm flange) **TW6850WH**
Chrome 1.5" BSP (75mm flange) **TW6850CP**

Installation packs contain:

Trap with flange
Flexi connection pipe
Removal tool (not shown in image)
Cartridge
Spray bottle
Cleaner sachets (pack of 5)

approvals:

BREEAM compliant (helps toward 3rd credit).



TF6800WH
White cartridge

TF6800CP
Chrome cartridge

TF6810XX
Valve

Replacements available to order separately:

Odourwise cartridge:

White (pack 10) **TF6800WH**
Chrome (pack 10) **TF6800CP**

Replacement valves (pack 2) **TF6810XX**

Cleaner satchets (pack 5) **TF6820XX**
Spray bottle (each) **TF6830XX**

All measurements shown are in millimetres.
Drawing sizes are not to scale.

Odourwise™



Hotels



Education

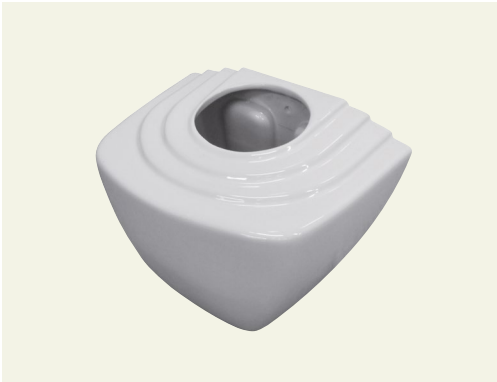


Commercial

Twyford
Geberit Group

automatic cisterns

flushing cycle controlled by rate of water refill
concealed fixings



Automatic cisterns (VC illustrated)

to specify/order:

Please use the product reference shown below.

auto cistern including fixings

No cover,
4.5L (single bowl) - VC
9L (2/3 bowls) - VC
14L (4/5 bowls) - VC

CX8711WH
CX8712WH
CX8713WH

9L (2/3 bowls) - Plastic
14L (4/5 bowls) - Plastic

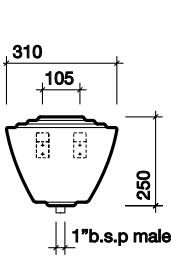
CX9122XX
CX9123XX

material

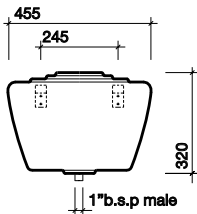
Vitreous china or Plastic.

colours

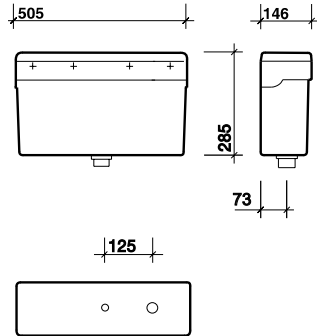
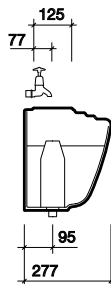
White WH.



VC - 4.5 litre cisterns



VC - 9 and 14 litre cisterns



Plastic - all sizes.

All measurements shown are in millimetres.
Drawing sizes are not to scale.



Hotels



Healthcare



Education



Commercial

Twyford
Geberit Group

to specify/order:

Please use the product reference shown below.



Outlet grating

outlet grating

1 1/2" outlet grating

WF9370XX

note

Suitable for camden and cliffon urinal bowls.

finishes

White plastics.

colours

White XX.

All measurements shown are in millimetres.
Drawing sizes are not to scale.

For sector applications please refer to urinal.

Fireclay



belfast sinks

easy clean stain-resistant glazed surface
designed to withstand heavy use



Belfast sink

to specify/order:

Please use the product reference shown below.

sink

a b c
475 x 390 x 215mm
610 x 455 x 255mm

FC1211WH
FC1271WH

fixings (see below table)

- (a) Build-in brackets
- (b) Screw to wall brackets
- (c) Legs and bearers

taps & mixers

Refer to taps & mixers.

material

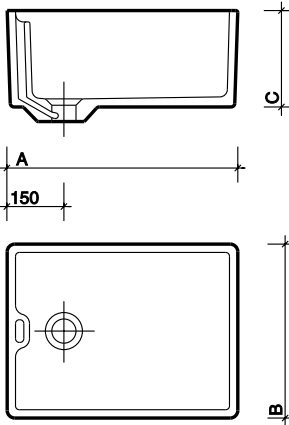
Enamelled fireclay.

colour

White WH.

note

Build-in brackets should be used on masonry walls. Screw to wall brackets should be used on adequate timber frame walls.



Sink pattern	Build in brackets specify number	Screw to wall brackets specify number	Legs and bearers specify number
FC1211WH	SR1332XX	SR1340XX	SR3046XX
FC1271WH	SR1333XX	SR1342XX	SR3044XX

All measurements shown are in millimetres.
Drawing sizes are not to scale.



Hotels



Education



Commercial



Residential

Twyford
Geberit Group

cleaner's sinks

easy clean stain-resistant glazed surface
designed to withstand heavy use
stainless steel hinged bucket grating



High back cleaner's sink

Cleaner's sink

to specify/order:

Please use the product reference shown below.

sink

Cleaner's sink 465 x 400mm,
sink with grating

FC1034WH

High back sink 470 x 400mm
with 310mm high splash back
and grating

FC1044WH

fixings

Legs and supports

SR3048XX

Build-in brackets, painted (pair)

SR1331XX

recommended taps & mixers

1/2" bib taps cross head,
back inlet, pair

SF2302CP

1/2" bib taps extension tube/wall plate
190mm projection, pair

SF2702CP

For alternative taps please see taps & mixers.

material

Enamelled fireclay.

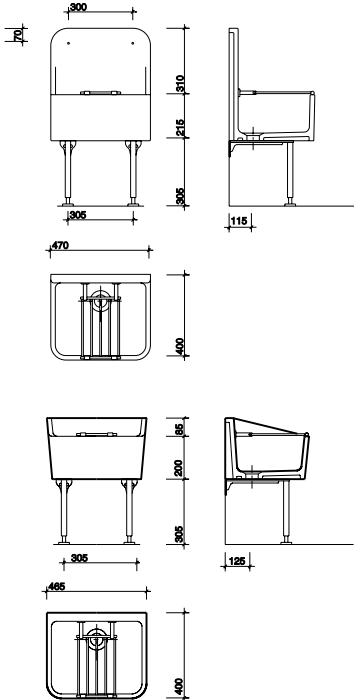
Stainless steel grating.

colour

White WH.

note

Screw to wall brackets are not suitable to
support this fixture. Build-in brackets can
only be used when fixing to masonry walls.



All measurements shown are in millimetres.
Drawing sizes are not to scale.



Hotels



Healthcare



Education



Commercial

Twyford

Geberit Group

176

washing trough

multi purpose washing trough
easy clean, stain resistant, designed to withstand heavy use



Washing trough

to specify/order:

Please use the product reference shown below.

washing trough

1000 x 390 x 200mm

FC2350WH

Brackets (pair)

SR1350XX

recommended taps & mixers

1/2" bib taps lever action

Back inlet, pair

SF2301CP

1/2" bib taps extension tube/wall plate

150mm projection, pair

SF2701CP

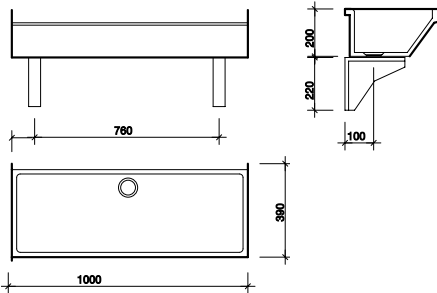
For alternative taps please see taps & mixers.

material

Enamelled fireclay.

colours

White WH.



All measurements shown are in millimetres.
Drawing sizes are not to scale.



Education



Commercial

Twyford

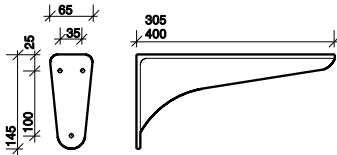
Geberit Group

177

general fittings

to specify/order:

Please use the product reference shown below.



Screw-to-wall bracket

bracket, screw-to-wall

305mm
400mm

SR1340XX
SR1342XX

material

Cast iron.

fixings

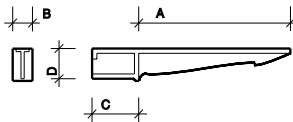
Screwed to wall. Use 2 1/2" x no. 12 countersunk woodscrews (not provided).

finish

Plain painted.

note

Sinks up to 405mm projection use 305mm bracket.
Sinks of 455mm projection use 400mm bracket.



Build-in bracket

A	B	C	D
305	35	87	57
350	28	100	48
400	29	105	50

build-in bracket

305mm
350mm
400mm

SR1331XX
SR1332XX
SR1333XX

material

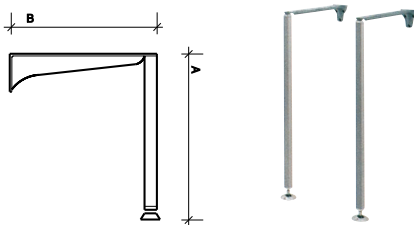
Cast iron.

finish

Plain painted.

note

Cleaners sink use 305mm brackets.
Sinks up to 405mm projection use 350mm bracket.
Sinks of 455mm projection use 400mm bracket.



Ref No	A	B
SR3044XX	635	405
SR3046XX	685	330
SR3048XX	305	300

legs and stays

material

Tubular steel legs. Cast iron bearers.

finish

Plastics coated leg with painted bearers.

fixing

Bearers screwed to wall, legs screwed to floor.

note

Legs have adjustable height feet to compensate for uneven floors.

All measurements shown are in millimetres.
Drawing sizes are not to scale.

For sector applications please refer to individual product pages.

Twyford
Geberit Group

Stainless Steel

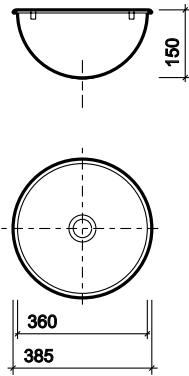


inset vanity basin

ideal for use with vanity units
easy to clean



Inset washbowl 360mm



to specify/order:

Please use the product reference shown below.

inset wash bowl

360mm diameter, no tap holes, no overflow
high polish finish, including waste **PS8503SS**

taps & mixers

Refer to taps & mixers

material

Stainless steel type 304 to EN 1 4401 or SS2333,
AFNOR Z 6 CN 18-09, BS 304S31.
0.9mm steel thickness.

colour

Stainless steel. Polished inside and outside.

All measurements shown are in millimetres.
Drawing sizes are not to scale.



Hotels



Healthcare



Education



Commercial

Twyford
Geberit Group

180

wall-hung basin 500

wall mounted washbasin supplied on apron support



Wall-hung basin 500 with apron

to specify/order:

Please use the product reference shown below.

wash hand basin

Wall-hung basin with apron including grid waste and apron support:

508 x 420mm x 127mm, 1 centre tap hole,
no overflow, satin polish finish **PS4032SS**

508 x 420mm x 127mm, 2 tap holes,
no overflow, satin polish finish **PS4033SS**

taps & mixers

Refer to taps & mixers

material

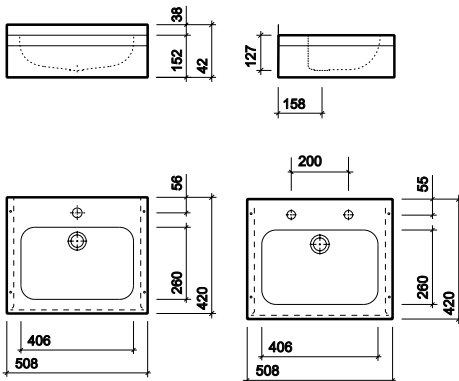
Stainless steel type 304 to EN 1 4401
or SS2333, AFNOR Z 6 CN 18-09, BS 304S31.
0.9mm steel thickness.

colour

Stainless steel.

fixings

Wall fixings (not supplied).



All measurements shown are in millimetres.
Drawing sizes are not to scale.



Hotels



Healthcare



Education



Commercial

Twyford

Geberit Group

181

inset vanity bowl

ideal for use with vanity units
easy to clean



Inset washbowl 406mm

to specify/order:

Please use the product reference shown below.

inset bowls

Inset bowls, satin polish finish, 2 tap holes,
with overflow, waste and fixing clips:
406 x 260 X 127mm

PS8701SS

taps & mixers

Refer to taps & mixers

material

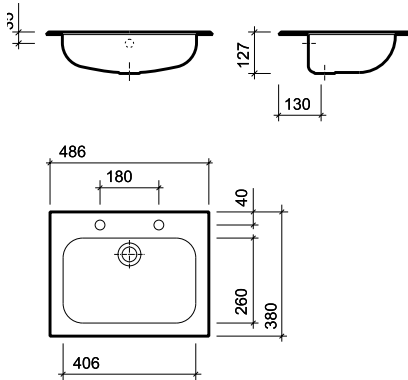
Stainless steel type 304 to EN 1 4401
or SS2333, AFNOR Z 6 CN 18-09, BS 304S31.
0.9mm steel thickness.

colour

Stainless steel.

fixings

Fixing clips (supplied).



All measurements shown are in millimetres.
Drawing sizes are not to scale.



Hotels



Healthcare



Education



Commercial

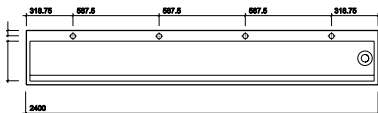
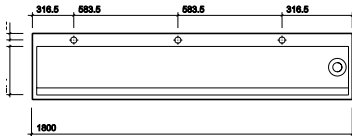
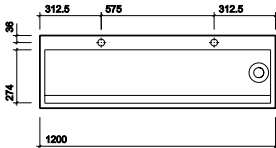
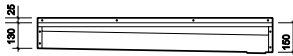
Twyford
Geberit Group

washing trough

ideal for schools



Washing trough, 2 person, 2 tap holes



to specify/order:

Please use the product reference shown below.

washing trough

Washing trough, no overflow, 1.5" waste, satin polish finish:

1200 x 370mm, LH outlet, 2psn, 2TH **PS9311SS**

1200 x 370mm, RH outlet, 2psn, 2TH **PS9312SS**

1800 x 370mm, LH outlet, 3psn, 3TH **PS9313SS**

1800 x 370mm, RH outlet, 3psn, 3TH **PS9318SS**

2400 x 370mm, LH outlet, 4psn, 4TH **PS9319SS**

2400 x 370mm, RH outlet, 4psn, 4TH **PS9320SS**

leg supports

Leg set (pair)

PS4064SS

taps & mixers

Refer to taps & mixers

material

Stainless steel type 304 to EN 1 4401 or SS2333, AFNOR Z 6 CN 18-09, BS 304S31. 1.2mm steel thickness.

colour

Stainless steel.

fixings

- (i) Screw to wall (fixings not supplied).
- (ii) Leg supports available

All measurements shown are in millimetres.
Drawing sizes are not to scale.



Hotels



Education



Commercial

Twyford

Geberit Group

183

floor standing bucket sink

ideal for where there is a need to dispose of waste water



Floor standing bucket sink

to specify/order:

Please use the product reference shown below.

bucket sink

648 x 508 x 890mm floor standing bucket sink, splash back, hinged grating, flushgrated waste, legset & complete with integral wall brackets **PS4044SS**

taps & mixers

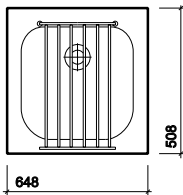
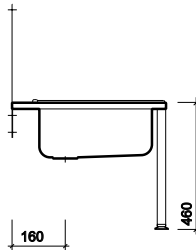
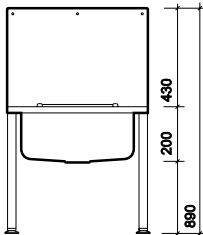
Refer to taps & mixers

material

Stainless steel type 304 to EN 1 4401 or SS2333, AFNOR Z 6 CN 18-09, BS 304S31. 1.5mm (Top) 0.9mm (Bowl) steel thickness.

colour

Stainless steel.



All measurements shown are in millimetres.
Drawing sizes are not to scale.



Hotels



Healthcare



Education



Commercial

Twyford
Geberit Group

wall-hung bucket sink

ideal for where there is a need to dispose of waste water



Wall-hung bucket sink

to specify/order:

Please use the product reference shown below.

sink

500 x 400 x 460mm wall-hung bucket sink, splashback, hinged grating and waste

PS5044SS

taps & mixers

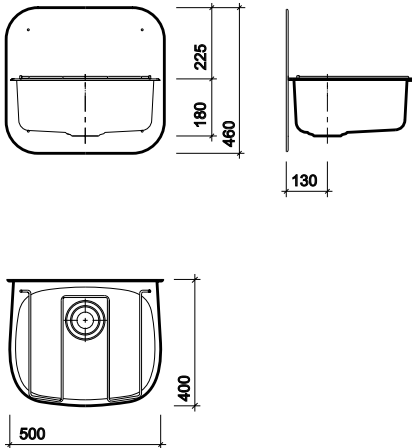
Refer to taps & mixers

material

Stainless steel type 304 to EN 1 4401 or SS2333, AFNOR Z 6 CN 18-09, BS 304S31. Steel thickness 1.2mm (splashback) 0.9mm (bowl).

colour

Stainless steel.



All measurements shown are in millimetres.
Drawing sizes are not to scale.



Hotels



Healthcare



Education



Commercial

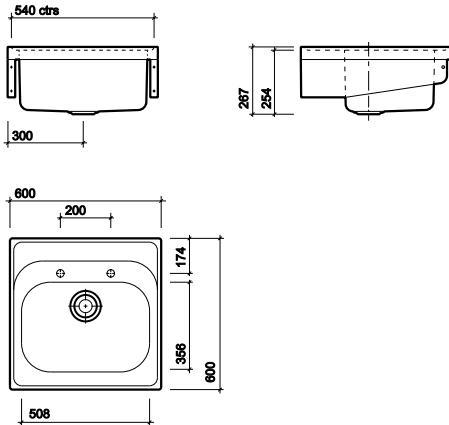
Twyford
Geberit Group

single hospital sink

radiused easy clean internal surfaces
underside sound deadened



Hospital sink with single bowl, no tap holes



to specify/order:

Please use the product reference shown below.

hospital sink

600 x 600 x 254mm, includes waste,
satin polish finish:

Single bowl, no tapholes SK 1

PS9023SS

Single bowl, two tapholes SK 1

PS9223SS

fixings

Cantilever brackets (pair)

PS9018SS

Leg & bearer brackets (pair)

PS9019SS

taps & mixers

Refer to taps & mixers

approvals

HBN 00-10 C, code SK 1

material

Stainless steel type 304 to EN 1 4401 or
SS2333, AFNOR Z 6 CN 18-09, BS 304S31.
1.2mm (top) 0.9mm (bowl) steel thickness.

colour

Stainless steel.

All measurements shown are in millimetres.
Drawing sizes are not to scale.



Healthcare



Commercial

Twyford
Geberit Group

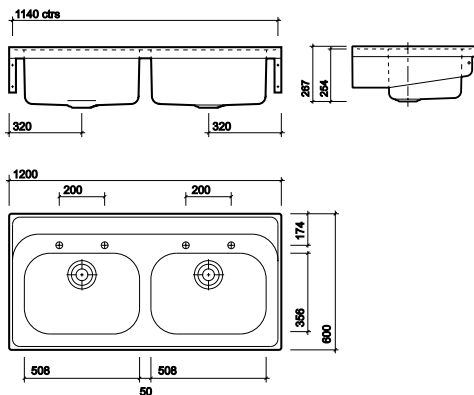
186

double hospital sinks

radiused easy clean internal surfaces
underside sound deadened



Hospital sink with double bowl, no tap holes, cantilever bracket & legs



to specify/order:

Please use the product reference shown below.

hospital sink

1200 x 600 x 254mm, includes waste,
satin polish finish:

Double bowl, no tapholes SK 2 **PS9024SS**
Double bowl, two tapholes SK 2 **PS9424SS**

fixings

Cantilever brackets (pair) **PS9018SS**
Leg & bearer brackets (pair) **PS9019SS**

taps & mixers

Refer to taps & mixers

approvals

HBN 00-10 C, code SK 2

material

Stainless steel type 304 to EN 1 4401
or SS2333, AFNOR Z 6 CN 18-09, BS 304S31.
1.2mm (top) 0.9mm (bowl) steel thickness.

colour

Stainless steel.

All measurements shown are in millimetres.
Drawing sizes are not to scale.



Healthcare



Commercial

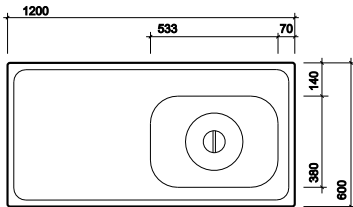
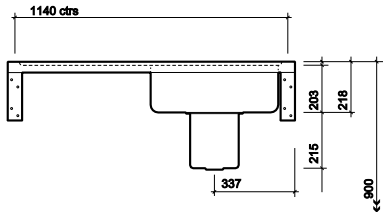
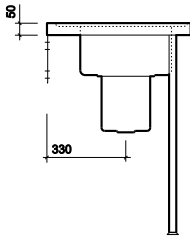
Twyford
Geberit Group

plaster sink

designed for use where casting materials are prepared and soaked



Plaster sink and worktop (left hand drainer illustrated)



All measurements shown are in millimetres.
Drawing sizes are not to scale.

to specify/order:

Please use the product reference shown below.

plaster sink and worktop

1200 x 600 x 418mm, satin polish finish,
no tap holes, complete with basket lid
and grated outlet waste:

Left hand drainer, right hand sink PS **HP59115SS**

Right hand drainer, left hand sink PS **HP59215SS**

fixings

Cantilever brackets (pair)

PS9018SS

Leg & bearer brackets (pair)

PS9019SS

taps & mixers

Refer to taps & mixers

approvals

HBN 00-10 C, code PS H

material

Stainless steel type 304 to EN 1 4401 or SS2333,
AFNOR Z 6 CN 18-09, BS 304S31.

1.2mm (top) 0.9mm (bowl) steel thickness.

colour

Stainless steel.



Healthcare



Commercial

Twyford
Geberit Group

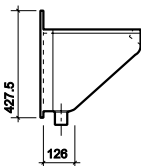
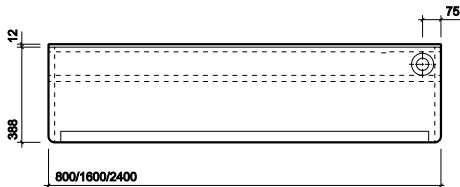
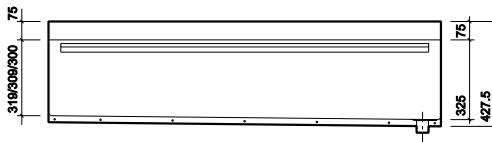
188

scrub-up troughs

easy clean fully radiused internal corners



Scrub-up trough 800mm (RH outlet illustrated)



to specify/order:

Please use the product reference shown below.

scrub-up trough

800 x 400 x 427.5mm, trap shroud,
fixing bracket, bottom outlet for waste,
satin polish finish:

RH outlet, SU H 1

PS9120SS

LH outlet, SU H 1

PS9220SS

1600 x 400 x 427.5mm, waste, trap shroud,
fixing bracket, satin polish finish,
bottom outlet for waste:

Right hand outlet, SU H 2

PS9121SS

Left hand outlet, SU H 2

PS9221SS

2400 x 400 x 427.5mm, waste, trap shroud,
fixing bracket, satin polish finish,
bottom outlet for waste:

Right hand outlet, SU H 3

PS9122SS

Left hand outlet, SU H 3

PS9222SS

taps & mixers

Refer to taps & mixers

approvals

HBN 00-10 C, code SU H1/2/3

material

Stainless steel type 304 to EN 1 4401
or SS2333, AFNOR Z 6 CN 18-09, BS 304S31.
1.5mm steel thickness.

colour

Stainless steel.

fixings

Wall mounted with joggle strip brackets
(supplied). Earthing terminal fitted.

All measurements shown are in millimetres.
Drawing sizes are not to scale.



Healthcare



Commercial

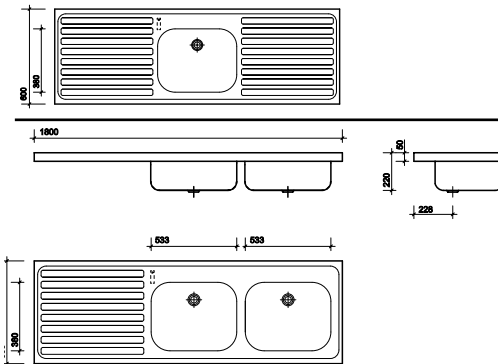
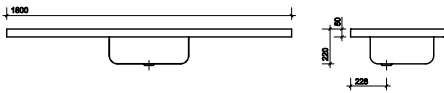
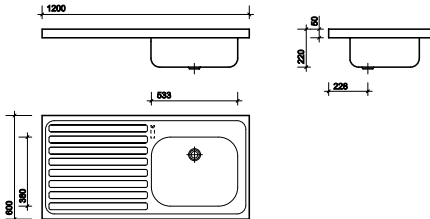
Twyford
Geberit Group

sink(s) & drainer(s)

smooth radiused corners for easy cleaning
left or right hand sink/drainer



1200mm sink and drainer (no tap, left hand drainer illustrated)



All measurements shown are in millimetres.
Drawing sizes are not to scale.

to specify/order:

Please use the product reference shown below.

sink and drainer

1200 x 600 x 220mm
Single sink & single drainer, satin polish finish, waste:
2 tap RH drainer, LH sink **PS4050SS**
No tap RH drainer, LH sink ST A **PS4150SS**
2 tap LH drainer, RH sink **PS4051SS**
No tap LH drainer, RH sink ST A **PS4151SS**

1800 x 600 x 220mm
Single sink & 2 drainers, satin polish finish, waste:
2 tap central sink, LH & RH drainer **PS4052SS**
No tap central sink, LH & RH drainer ST B **PS4152SS**

1800 x 600 x 220mm
Double sink & single drainer, satin polish finish, waste:
2 tap RH drainer, LH sinks **PS4053SS**
No tap RH drainer, LH sinks ST C **PS4153SS**
2 tap LH drainer, RH sinks **PS4054SS**
No tap LH drainer, RH sinks ST C **PS4154SS**

fixings

Cantilever bracket, stainless steel:
Pair for 1200 & 1800 (single sink) **PS9018SS**

Leg supports, stainless steel:
Pair for 1200 & 1800 (single sink) **PS9019SS**

Legs set (3 off) for 1800 (double sink) **PS4063SS**

taps & mixers

Refer to taps & mixers

approvals

HBN 00-10 C, code ST A/B/C (no tap).

material

Stainless steel type 304 to EN 1 4401 or SS2333,
AFNOR Z 6 CN 18-09, BS 304S31.
1.2mm (top) 0.9mm (bowl) steel thickness.

colour

Stainless steel.



Healthcare



Commercial

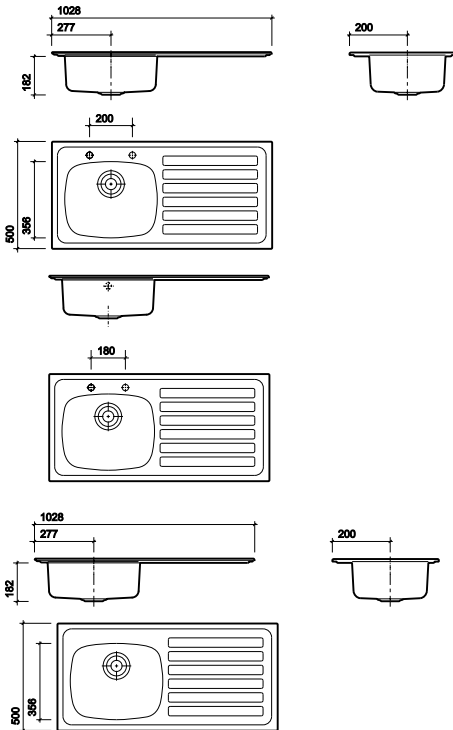
Twyford
Geberit Group

inset sinks

rimmed edge profile, suitable for standard sized worktops



Inset sink and drainer, no overflow (right hand drainer illustrated)



All measurements shown are in millimetres.
Drawing sizes are not to scale.

to specify/order:

Please use the product reference shown below.

inset sink and drainer

1028 x 500 x 182mm, incl. waste, satin polish finish, no overflow:

RH drainer, LH sink, 2 tap holes 5050 **PS8601SS**

LH drainer, RH sink, 2 tap holes 5050 **PS8602SS**

1028 x 500 x 182mm, incl. waste, satin polish finish, no overflow:

RH drainer, LH sink, 0 tap holes 5050 **PS8603SS**

LH drainer, RH sink, 0 tap holes 5050 **PS8604SS**

1028 x 500 x 182mm, incl. waste, satin polish finish, with overflow:

RH drainer, LH sink, 2 tap holes 5050 **PS8611SS**

LH drainer, RH sink, 2 tap holes 5050 **PS8612SS**

taps & mixers

Refer to taps & mixers

material

Stainless steel type 304 to EN 1 4401
or S2333, AFNOR Z 6 CN 18-09, BS 304S31.
0.9mm steel thickness.

colour

Stainless steel.

fixings

Fixing clips (supplied).



Hotels



Healthcare



Education



Commercial



Residential

Twyford

Geberit Group

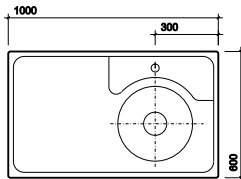
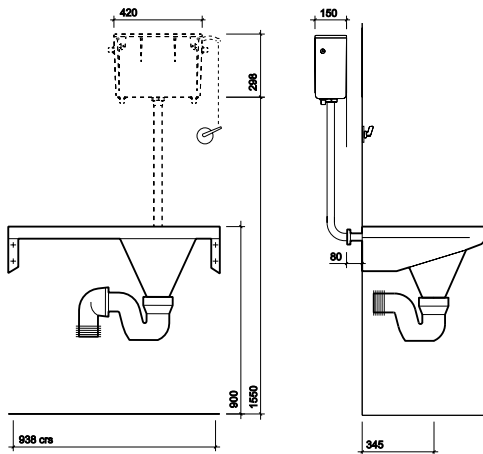
191

disposal hopper

ducted or exposed cistern
solid and liquid waste disposal unit *DU-H with continuous flushing rim and drainer



Disposal hopper with worktop BI (LH drainer illustrated)



All measurements shown are in millimetres.
Drawing sizes are not to scale.

to specify/order:

Please use the product reference shown below.

hopper and worktop (left hand drainer, right hand hopper)

1000 x 600mm, hopper 110mm diam. outlet,
flushpipe connectors, satin polish finish:
*Back inlet DU H **PS8102SS**

hopper and worktop (right hand drainer, left hand hopper)

*Back inlet DU H **PS8104SS**

removable outlet grating

Removable outlet grating **PS9017SS**

fixings

Cantilever brackets (pair) **PS9018SS**
Leg & bearer brackets (pair) **PS9019SS**

back inlet hopper

Concealed cistern, complete with fittings,
including chrome plated lever
and flushbend, SSIO 6 litre **CX9560XX**
High level adaptor kit **CF3067CP**
Plastic flushpipe **CF6217WH**

approvals

*HBN 00-10 C, code DU H

material

Stainless steel type 304 to EN 1 4401 or SS2333,
AFNOR Z 6 CN 18-09, BS 304S31.
1.5mm steel thickness.

colour

Stainless steel.



Healthcare



Commercial

Twyford
Geberit Group

combined disposal hopper

ducted or exposed cistern
hospital pattern combined slop hopper, sink and drainer



Disposal hopper, sink and worktop BI (LH drainer illustrated)

to specify/order:

Please use the product reference shown below.

hopper, sink and worktop (left hand drainer, right hand hopper)

1600 x 600mm, hopper 110mm diam. outlet,
flushpipe connectors, waste, satin polish finish:
*Back inlet DU HS **PS8106SS**

hopper, sink and worktop (right hand drainer, left hand hopper)

*Back inlet DU HS **PS8108SS**

removable outlet grating

Removable outlet grating **PS9017SS**

fixings

Cantilever brackets (pair) **PS9018SS**

Leg & bearer brackets (pair) **PS9019SS**

back inlet hopper

Concealed cistern, complete with fittings,
including chrome plated lever
and flushbend, SSIO 6 litre
High level adaptor kit
Plastic flushpipe **CX9560XX**
CF3067CP
CF6217WH

taps & mixers

Refer to taps & mixers

approvals

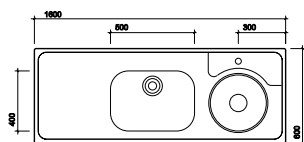
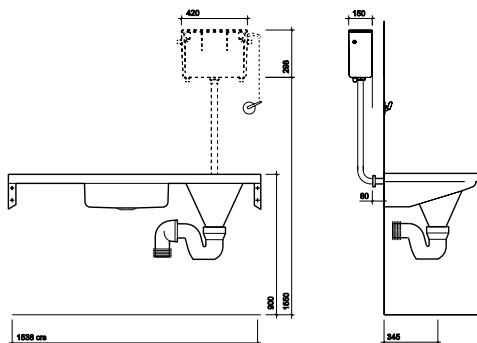
*HBN 00-10 C, code DU HS

material

Stainless steel type 304 to EN 1 4401 or SS2333,
AFNOR Z 6 CN 18-09, BS 304S31.
1.5mm steel thickness.

colour

Stainless steel.



All measurements shown are in millimetres.
Drawing sizes are not to scale.



Healthcare



Commercial

Twyford
Geberit Group

wall mounted disposal hopper

solid and liquid waste disposal unit with continuous flushing rim and hinged bucket grating
radiused easy clean internal surfaces



Wall mounted disposal hopper, with grating
(back inlet illustrated)

to specify/order:

Please use the product reference shown below.

wall mounted disposal hopper

With grating, flushpipe connectors,
satin polish finish:

600 x 600 x 300mm, back inlet **PS8110SS**

*Without grating, flushpipe connectors,
satin polish finish:

600 x 600 x 300mm, back inlet **PS8112SS**

removable outlet grating

Removable outlet grating

PS9017SS

fixings

Cantilever brackets (pair)

PS9018SS

back inlet hopper

Concealed cistern, complete with fittings,
including chrome plated lever

and flushbend, SSIO 6 litre

Plastic flushpipe

CX9560XX

CF6217WH

approvals

*HBN 00-10 C, code DU

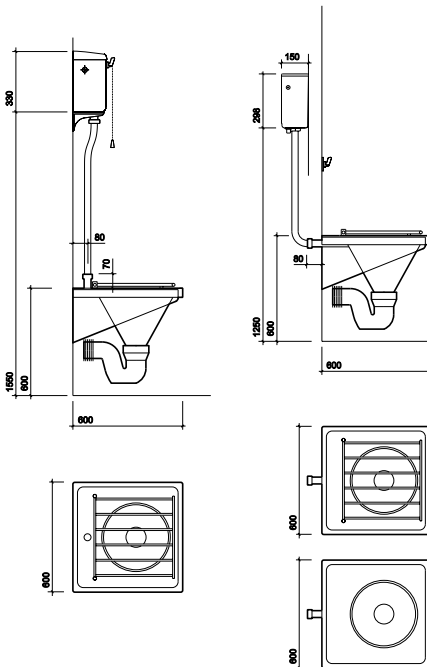
material

Stainless steel type 304 to EN 1 4401 or SS2333,
AFNOR Z 6 CN 18-09, BS 304S31.

1.5mm steel thickness.

colour

Stainless steel.



All measurements shown are in millimetres.
Drawing sizes are not to scale.



Healthcare



Commercial

Twyford

Geberit Group

194

floor standing btw wc 500

back-to-wall WC pan, with anti vandal shroud
duct installation only



400mm floor standing WC (Inset - with seat & cover)

to specify/order:

Please use the product reference shown below.

btw wc pan, floor standing

360 x 580 x 400mm, HO
satin polish finish

PS8301SS

360 x 580 x 400mm, HO, with seat and cover
satin polish finish,

PS8302SS

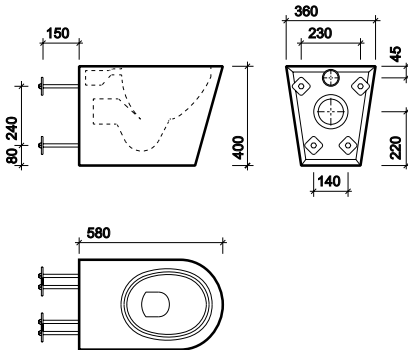
Concealed cistern, complete with fittings,
including chrome plated lever and flushbend
SSIO 6 litre **CX9560XX**
BSIO 6 litre **CX9561XX**

material

Stainless steel type 304 to EN 1 4401 or SS2333,
AFNOR Z 6 CN 18-09, BS 304S31.
2.0mm steel thickness.

colour

Stainless steel.



All measurements shown are in millimetres.
Drawing sizes are not to scale.



Healthcare



Education



Commercial

Twyford
Geberit Group

janitorial unit

free standing combination of washbasin and bucket sink
hinged grid over the sink to support the bucket



Janitorial unit

to specify/order:

Please use the product reference shown below.

janitorial unit

500 x 500 x 880mm Janitorial unit,
complete with basin, wastes (1.25" & 1.5"),
monobloc mixer tap, leg set (4 supplied),
joggle strip and grid

PS8801SS

approvals

HBN 00-10 C, code JU
WRAS Approved

material

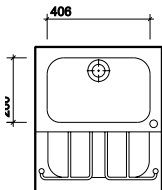
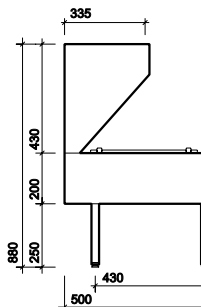
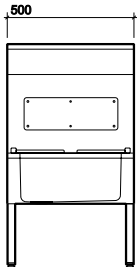
Stainless steel type 304 to EN 1 4401
or SS2333, AFNOR Z 6 CN 18-09, BS 304S31.
Steel thickness 1.5mm (shrouds) 0.9mm
(bowls).

colour

Stainless steel.

fixings

Unit can either be wall mounted or
floor mounted using 2 or 4 legs.



All measurements shown are in millimetres.
Drawing sizes are not to scale.



Hotels



Healthcare



Education



Commercial

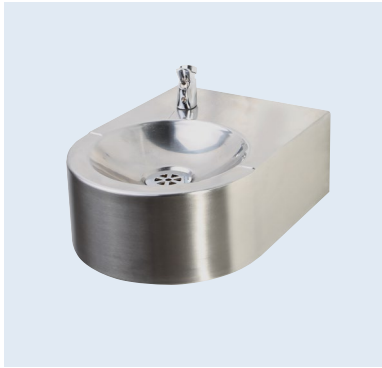
Twyford

Geberit Group

196

drinking fountain

ideal for schools and colleges
complete with push button water bubbler tap with protected nozzle,
to minimise direct contact



Drinking fountain - wall-hung

to specify/order:

Please use the product reference shown below.

drinking fountain

257 x 350 x 125mm, drinking fountain
complete with:

Water bubbler tap, waste, joggle strip
and earthing lug, satin polish finish **PS8001SS**

approvals

WRAS Approved.

material

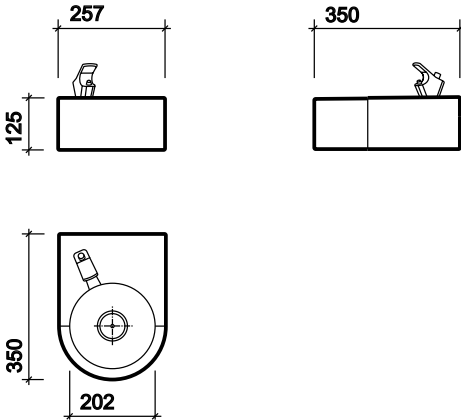
Stainless steel type 304 to EN 1 4401 or SS2333,
AFNOR Z 6 CN 18-09, BS 304S31.
1.5mm steel thickness.

colour

Stainless steel.

fixings

Mounted to wall with joggle strip (supplied).



PS8001SS, PS8002SS & PS8003SS operating pressures			
Jet position (bar)	1	2	3
All open (l/min)	1.8	3.5	4.8
Half open (l/min)	1.2	2.6	3.4

Operating pressure between 0.2 to 3 bar.

All measurements shown are in millimetres.
Drawing sizes are not to scale.



Hotels



Healthcare



Education



Commercial

Twyford

Geberit Group

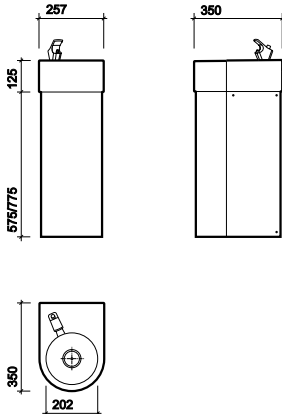
197

drinking fountain

ideal for schools and colleges
pedestal mounted, complete with push button water bubbler tap with protected nozzle,
to minimise direct contact



Drinking fountain - floor mounted
(junior illustrated)



to specify/order:

Please use the product reference shown below.

drinking fountain

Drinking fountain complete with
Water bubbler tap, shroud,
waste, joggle strip and earthing lug,
satin polish finish:

257 x 350 x 575mm, - junior

PS8002SS

257 x 350 x 775mm, - adult

PS8003SS

approvals

WRAS Approved.

material

Stainless steel type 304 to EN 1 4401
or SS2333, AFNOR Z 6 CN 18-09, BS 304S31.
1.5mm steel thickness.

colour

Stainless steel.

fixings

Mounted to wall with joggle strip (supplied).



PS8001SS, PS8002SS & PS8003SS operating pressures			
Jet position (bar)	1	2	3
All open (l/min)	1.8	3.5	4.8
Half open (l/min)	1.2	2.6	3.4

Operating pressure between 0.2 to 3 bar.

All measurements shown are in millimetres.
Drawing sizes are not to scale.



Hotels



Healthcare



Education



Commercial

Twyford

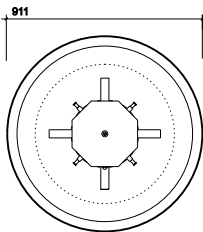
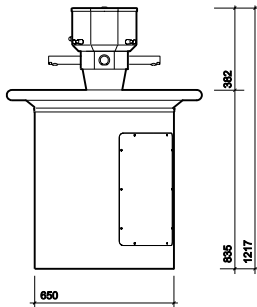
Geberit Group

circular washstation

4 to 6 person circular washstation, with radiused outer edge mounted on pedestal base with access panel



Circular washstation



to specify/order:

Please use the product reference shown below.

circular washstation

Circular washstation, complete with:
Sensor taps, 1.5" waste outlet, satin polish finish.
(Centre column contains plumbing to sensor
taps, soap tank with valves):

911 dia x 1217mm

PS8004SS

approvals

WRAS Approved.

material

Stainless steel type 304 to EN 1 4401 or SS2333,
AFNOR Z 6 CN 18-09, BS 304S31.
1.5mm steel thickness.

colour

Stainless steel.

fixings

Floor mounted with fixings (not supplied).

note

Operating pressure 0.5 to 10 bar.



All measurements shown are in millimetres.
Drawing sizes are not to scale.



Hotels



Healthcare



Education



Commercial

Twyford

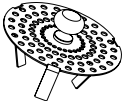
Geberit Group

199

stainless steel fittings

to specify/order:

Please use the product reference shown below.



removable outlet grating

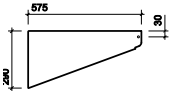
Removable outlet grating

PS9017SS

material

Stainless steel type 304 to EN 1 4401
or SS2333, AFNOR Z 6 CN 18-09, BS 304S31.
1.5mm steel thickness.

Removable outlet grating



cantilever bracket

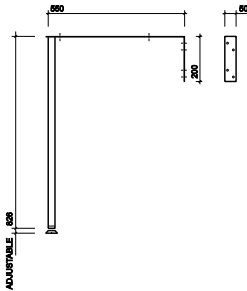
Cantilever brackets (pair)

PS9018SS

material

Stainless steel type 304 to EN 1 4401
or SS2333, AFNOR Z 6 CN 18-09, BS 304S31.
1.5mm steel thickness.

Cantilever brackets (pair)



leg & bearer bracket

Leg & bearer brackets (pair)

PS9019SS

material

Stainless steel type 304 to EN 1 4401
or SS2333, AFNOR Z 6 CN 18-09, BS 304S31.
3mm steel thickness.

Leg & bearer brackets (pair)

All measurements shown are in millimetres.
Drawing sizes are not to scale.

For sector applications please refer to individual product page.

Less Able



doc.m value pack

thermostatically protected via external blending valve
available with white and blue rails and seats



Doc.M value pack with white grab rails & seat .
Left hand installation shown.

to specify/order:

Please use the product reference shown below.

Doc.M value pack

With white grab rails and seat

PK8185WH

comprising components

- Avalon HO pan
- Doc.M value cistern, fittings & standard lever - 6 litre flush
- Doc.M seat ring, stainless steel hinge
- Alcona 360 Handrinse basin, 2 tap
- Tap hole stopper for handrinse basin
- Sola single lever basin monobloc
- Mixing valve - thermostatic TMV3 (SF1037XX)
- 4 x 600mm grab rails exposed fixings
- 1 x 450mm grab rail exposed fixings
- 1x hinged support rail and toilet roll holder exposed fixings
- Pan fixings
- Cistern cover clip
- Grid Waste

note

Basin traps to be ordered separately.

The products included in the set and the layout details are in accordance with those laid down in the Building Regulations Approved Document M 2015

approvals

LABC certificate, ref: Pending
WRAS Approved
TMV3



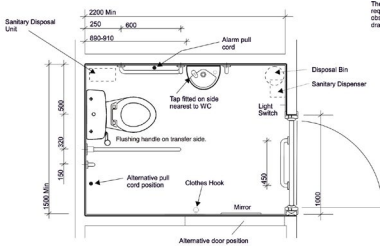
material

Vitreous china.
Grab rails in powder coated steel.

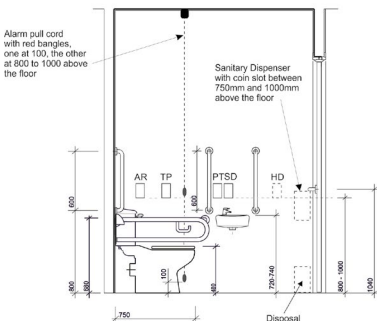
colours

Vitreous china in white only.
Rails and seat in white.

White WH (White RAL 9003, Luminance Value 76)



The area shown is the minimum required. It must be clear of all obstructions (eg plumbing and drainage fittings).



AR: Alarm Reset Button
TP: Toilet Paper Dispenser
PT: Paper Towel Dispenser
SD: Soap Dispenser
HD: Possible position for Automatic Hand Dryer

The drawing above shows a Left Hand installation. A Right Hand installation is the mirror image of above.

All measurements shown are in millimetres.
Drawing sizes are not to scale.



Hotels



Healthcare



Education



Commercial



Less Able

Twyford

Geberit Group

202

doc.m value pack

thermostatically protected via external blending valve
available with white and blue rails and seats



Doc.M value pack with blue grab rails & seat.
Left hand installation shown.

to specify/order:

Please use the product reference shown below.

Doc.M value pack

With blue grab rails and seat

PK8185BE

comprising components

- Avalon HO pan
- Doc.M value cistern, fittings & standard lever - 6 litre flush
- Doc.M seat ring, stainless steel hinge
- Alcona 360 Handrinse basin, 2 tap
- Tap hole stopper for handrinse basin
- Sola single lever basin monobloc
- Mixing valve - thermostatic TMV3 (SF1037XX)
- 4 x 600mm grab rails exposed fixings
- 1 x 450mm grab rail exposed fixings
- 1x hinged support rail and toilet roll holder exposed fixings
- Pan fixings
- Cistern cover clip
- Grid Waste

note

Basin traps to be ordered separately.

The products included in the set and the layout details are in accordance with those laid down in the Building Regulations Approved Document M 2015

approvals

LABC certificate, ref: Pending
WRAS Approved
TMV3



material

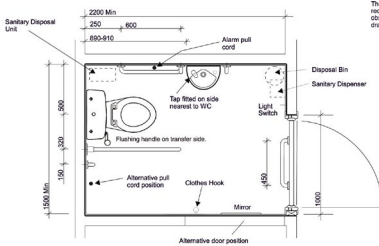
Vitreous china.
Grab rails in powder coated steel.

colours

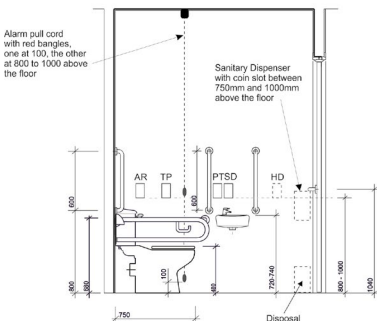
Vitreous china in white only.
Rails and seat in blue.

Blue BE

(Blue RAL 5011, Luminance Value 6)



The area shown is the minimum required. It must be clear of all obstructions (eg plumbing and drainage fittings).



AR: Alarm Reset Button
TP: Toilet Paper Dispenser
PT: Paper Towel Dispenser
SD: Soap Dispenser
HD: Possible position for Automatic Hand Dryer

The drawing above shows a Left Hand installation. A Right Hand installation is the mirror image of above.

All measurements shown are in millimetres.
Drawing sizes are not to scale.



Hotels



Healthcare



Education



Commercial



Less Able

Twyford

Geberit Group

203

doc.m value pack plus

thermostatically protected via external blending valve



Doc.M value pack plus white grab rails and seat.
Right hand installation shown.

to specify/order:

Please use the product reference shown below.

Doc.M value pack plus

Left hand with white grab rails & seat

PK8255WH

Right hand with white grab rails & seat

PK8355WH

comprising components

Avalon HO pan

Doc.M value cistern, fittings & standard lever - 6 litre flush

Avalon seat ring, stainless steel bar hinge, top fix and stability buffers

Alcona 360 Handrinse basin, 1 Tap

Sequential lever action mixer tap with flexi tails

Mixing valve - thermostatic TMV3 (SF1037XX)

4 x 600mm grab rails concealed fixings

1 x 450mm grab rail concealed fixings

1x Hinged support rail and toilet roll holder concealed fixings

Pan fixings, cistern cover clip

Grid waste

note

Basin traps to be ordered separately.

The products included in the set and the layout details are in accordance with those laid down in the Building Regulations Approved Document M 2015.

approvals

LABC certificate, ref: Pending

WRAS Approved, TMV3



material

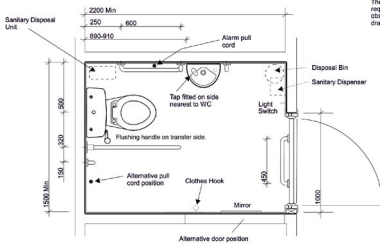
Vitreous china.

Grab rails in powder coated aluminium.

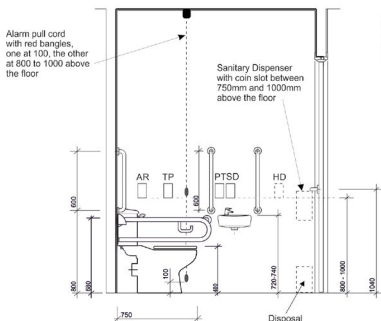
colours

Vitreous china in white only.

White WH (White RAL 9016, Luminance Value 90)



The area shown is the minimum required. It must be clear of all obstructions (eg. plumbing and drainage fittings).



AR: Alarm Reset Button
TP: Toilet Paper Dispenser
PT: Paper Towel Dispenser
SD: Soap Dispenser
HD: Possible position for Automatic Hand Dryer

The drawing above shows a Left Hand installation. A Right Hand installation is the mirror image of above.

All measurements shown are in millimetres.
Drawing sizes are not to scale.



Hotels



Healthcare



Education



Commercial



Less Able

Twyford

Geberit Group

204

doc.m value pack plus

thermostatically protected via external blending valve



Doc.M value pack plus blue grab rails and seat.
Right hand installation shown.

to specify/order:

Please use the product reference shown below.

Doc.M value pack plus

Left hand with blue grab rails & seat

PK8255BE

Right hand with blue grab rails & seat

PK8355BE

comprising components

Avalon HO pan

Doc.M value cistern, fittings & standard lever - 6 litre flush

Avalon seat ring, stainless steel bar hinge, top fix and stability buffers

Alcona 360 Handrinse basin, 1 Tap

Sequential lever action mixer tap with flexi tails

Mixing valve - thermostatic TMV3 (SF1037XX)

4 x 600mm grab rails concealed fixings

1 x 450mm grab rail concealed fixings

1 x Hinged support rail and toilet roll holder concealed fixings

Pan fixings, cistern cover clip

Grid waste

note

Basin traps to be ordered separately.

The products included in the set and the layout details are in accordance with those laid down in the Building Regulations Approved Document M 2015.

approvals

LABC certificate, ref: Pending

WRAS Approved, TMV3



material

Vitreous china.

Grab rails in powder coated aluminium.

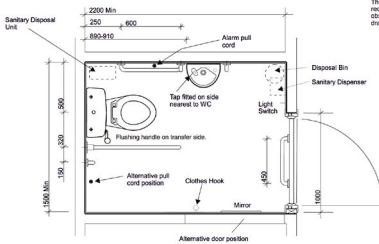
colours

Vitreous china in white only.

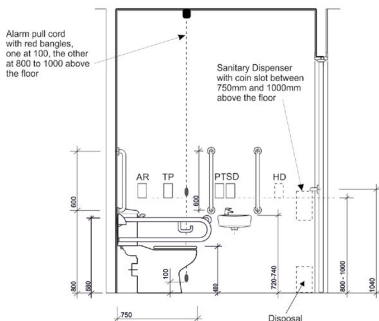
Rails and seat in blue.

Blue BE

(Blue RAL 5011, Luminance Value 6)



The area shown is the minimum required. It must be clear of all obstructions (eg plumbing and drainage fittings).



AR: Alarm Reset Button
TP: Toilet Paper Dispenser
PT: Paper Towel Dispenser
SD: Soap Dispenser
HD: Possible position for Automatic Hand Dryer

The drawing above shows a Left Hand installation. A Right Hand installation is the mirror image of above.

All measurements shown are in millimetres.
Drawing sizes are not to scale.



Hotels



Healthcare



Education



Commercial



Less Able

Twyford

Geberit Group

205

doc.m value pack plus

thermostatically protected via external blending valve



Doc.M value pack plus grey grab rails and seat.
Right hand installation shown.

to specify/order:

Please use the product reference shown below.

Doc.M value pack plus

Left hand with grey grab rails & seat

PK8255GY

Right hand with grey grab rails & seat

PK8355GY

comprising components

Avalon HO pan

Doc.M value cistern, fittings & standard lever - 6 litre flush

Avalon seat ring, stainless steel bar hinge, top fix and stability buffers

Alcona 360 Handrinse basin, 1 Tap

Sequential lever action mixer tap with flexi tails

Mixing valve - thermostatic TMV3 (SF1037XX)

4 x 600mm grab rails concealed fixings

1 x 450mm grab rail concealed fixings

1x Hinged support rail and toilet roll holder concealed fixings

Pan fixings, cistern cover clip

Grid waste

note

Basin traps to be ordered separately.

The products included in the set and the layout details are in accordance with those laid down in the Building Regulations Approved Document M 2015.

approvals

LABC certificate, ref: Pending

WRAS Approved, TMV3



material

Vitreous china.

Grab rails in powder coated aluminium.

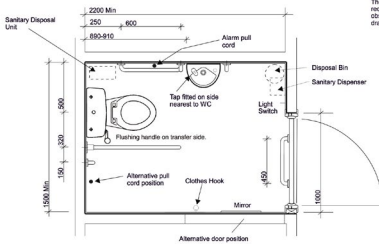
colours

Vitreous china in white only.

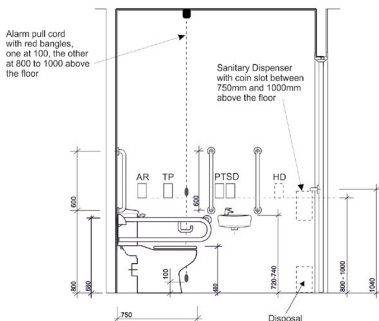
Rails and seat in grey.

Grey GY

(Grey RAL 7005, Luminance Value 20)



The area shown is the minimum required. It must be clear of all obstructions (eg plumbing and drainage fittings).



AR: Alarm Reset Button
TP: Toilet Paper Dispenser
PT: Paper Towel Dispenser
SD: Soap Dispenser
HD: Possible position for Automatic Hand Dryer

The drawing above shows a Left Hand installation. A Right Hand installation is the mirror image of above.

All measurements shown are in millimetres.
Drawing sizes are not to scale.



Hotels



Healthcare



Education



Commercial



Less Able

Twyford

Geberit Group

206

doc.m rimless super pack

modern rimless design
4 litre flush



Doc.M rimless super pack with white grab rails & seat.
Right hand installation shown.

to specify/order:

Please use the product reference shown below.

Doc.M rimless super pack

Left hand with white grab rails & seat

PK8256WH

Right hand with white grab rails & seat

PK8356WH

comprising components

Avalon Rimless HO pan and fixings

Avalon Rimless cistern, fittings and spatula lever
- 4 or 6 litre flush

Avalon seat ring, stainless steel bar hinge, top fix
and stability buffers

Sola square handrinse basin, 400, no overflow 1 tap
Sola thermostatic basin mixer with fixed spout and
copper tails (SF1140CP)

4 x 600mm grab rails concealed fixings

1 x 450mm grab rail concealed fixings

1x Hinged support rail and toilet roll holder concealed
fixings

Wall bolts (pair), Grid waste, Cistern cover clip

note

Basin traps to be ordered separately.

The products included in the set and the layout details
are in accordance with those laid down in the Building
Regulations Approved Document M 2015

approvals

LABC certificate, ref: Pending

Pending WRAS approval



material

Vitreous china.

Grab rails in powder coated aluminium.

colours

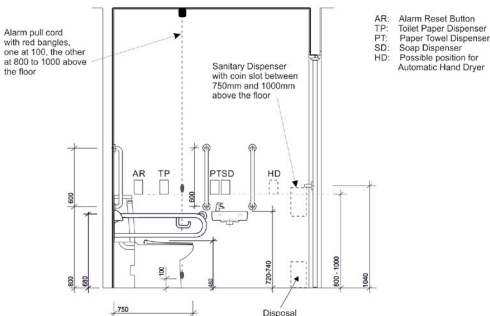
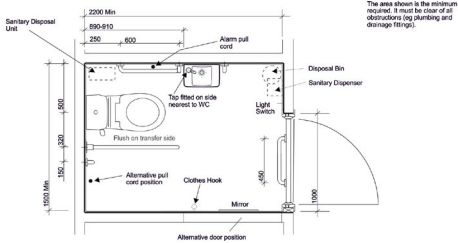
Vitreous china in white only.

Rails in white.

Seat in white.

White WH

(White RAL 9016, Luminance Value 90)



The drawing above shows a Left Hand
installation. A Right Hand installation is the
mirror image of above.

All measurements shown are in millimetres.
Drawing sizes are not to scale.



Hotels



Healthcare



Education



Commercial



Less Able

Twyford

Geberit Group

207

doc.m rimless super pack

modern rimless design
4 litre flush



Doc.M rimless super pack with blue grab rails & seat.
Right hand installation shown.

to specify/order:

Please use the product reference shown below.

Doc.M rimless super pack

Left hand with blue grab rails & seat

PK8256BE

Right hand with blue grab rails & seat

PK8356BE

comprising components

Avalon Rimless HO pan and fixings

Avalon Rimless cistern, fittings and spatula lever
- 4 or 6 litre flush

Avalon seat ring, stainless steel bar hinge, top fix
and stability buffers

Sola square handrinse basin, 400, no overflow 1 tap
Sola thermostatic basin mixer with fixed spout and
copper tails (SF1140CP)

4 x 600mm grab rails concealed fixings

1 x 450mm grab rail concealed fixings

1x Hinged support rail and toilet roll holder concealed
fixings

Wall bolts (pair), Grid waste, Cistern cover clip

note

Basin traps to be ordered separately.

The products included in the set and the layout details
are in accordance with those laid down in the Building
Regulations Approved Document M 2015

approvals

LABC certificate, ref: Pending

Pending WRAS approval, TMV3



material

Vitreous china.

Grab rails in powder coated aluminium.

colours

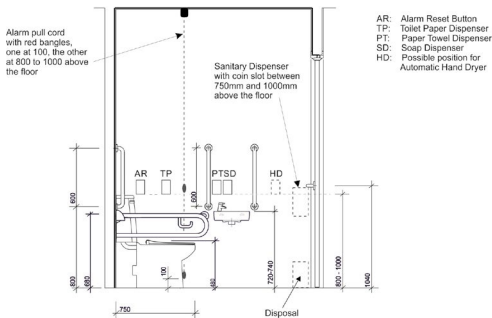
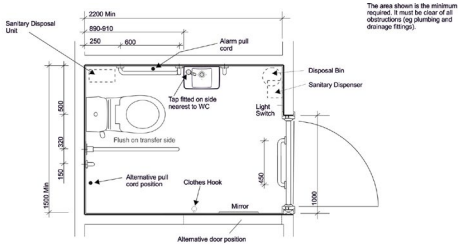
Vitreous china in white only.

Rails in blue.

Seat in blue.

Blue BE

(Blue RAL 5011, Luminance Value 6)



The drawing above shows a Left Hand
installation. A Right Hand installation is the
mirror image of above.

All measurements shown are in millimetres.
Drawing sizes are not to scale.



Hotels



Healthcare



Education



Commercial



Less Able

Twyford

Geberit Group

208

doc.m rimless super pack

modern rimless design
4 litre flush



Doc.M rimless super pack with grey grab rails & seat.
Right hand installation shown.

to specify/order:

Please use the product reference shown below.

Doc.M rimless super pack

Left hand with grey grab rails & seat

PK8256GY

Right hand with grey grab rails & seat

PK8356GY

comprising components

Avalon Rimless HO pan and fixings

Avalon Rimless cistern, fittings and spatula lever
- 4 or 6 litre flush

Avalon seat ring, stainless steel bar hinge, top fix
and stability buffers

Sola square handrinse basin, 400, no overflow 1 tap
Sola thermostatic basin mixer with fixed spout and
copper tails (SF1140CP)

4 x 600mm grab rails concealed fixings

1 x 450mm grab rail concealed fixings

1x Hinged support rail and toilet roll holder concealed
fixings

Wall bolts (pair), Grid waste, Cistern cover clip

note

Basin traps to be ordered separately.

The products included in the set and the layout details
are in accordance with those laid down in the Building
Regulations Approved Document M 2015

approvals

LABC certificate, ref: Pending

Pending WRAS approval, TMV3



material

Vitreous china.

Grab rails in powder coated aluminium.

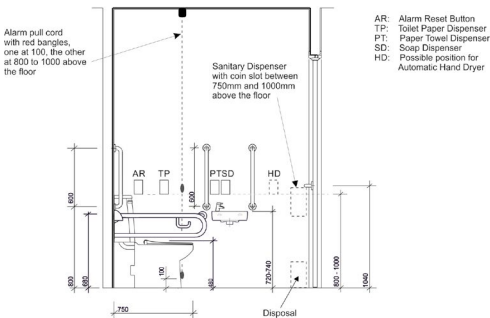
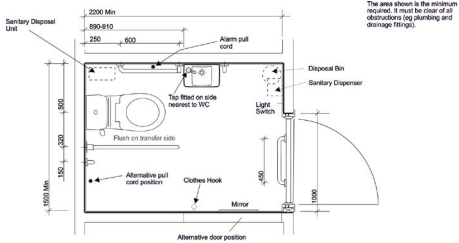
colours

Vitreous china in white only.

Rails in grey.

Seats in grey.

Grey GY (Grey RAL 7005, Luminance Value 20)



The drawing above shows a Left Hand
installation. A Right Hand installation is the
mirror image of above.

All measurements shown are in millimetres.
Drawing sizes are not to scale.



Hotels



Healthcare



Education



Commercial



Less Able

Twyford

Geberit Group

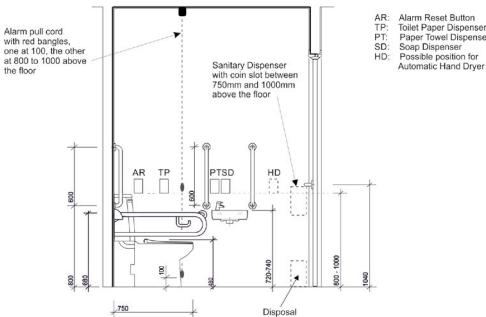
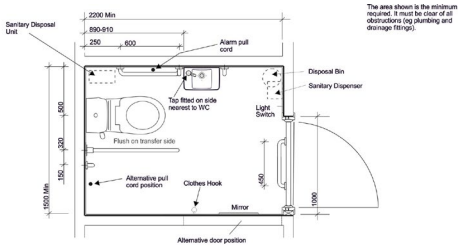
209

doc.m rimless super pack

modern rimless design
4 litre flush



Doc.M rimless super pack with stainless steel grab rails & grey seat.
Right hand installation shown.



The drawing above shows a Left Hand installation. A Right Hand installation is the mirror image of above.

to specify/order:

Please use the product reference shown below.

Doc.M rimless super pack

Left hand with stainless steel rails & grey seat **PK8256SS**
Right hand with stainless steel rails & grey seat **PK8356SS**

comprising components

- Avalon Rimless HO pan and fixings
- Avalon Rimless cistern, fittings and spatula lever - 4 or 6 litre flush
- Avalon seat ring, stainless steel bar hinge, top fix and stability buffers
- Sola square handrinse basin, 400, no overflow 1 tap
- Sola thermostatic basin mixer with fixed spout and copper tails (SF1140CP)
- 4 x 600mm grab rails concealed fixings
- 1 x 450mm grab rail concealed fixings
- 1x Hinged support rail concealed fixings
- Wall bolts (pair), Grid waste, Cistern cover clip

note

Basin traps to be ordered separately.

The products included in the set and the layout details are in accordance with those laid down in the Building Regulations Approved Document M 2015

approvals

LABC certificate, ref: Pending
Pending WRAS approval, TMV3



material

Vitreous china.
Grab rails in brushed stainless steel.

colours

Vitreous china in white only.
Rails in stainless steel.
Seat in grey.

Stainless steel (Luminance Value 42)
Grey GY (Grey RAL 7005, Luminance Value 20)

All measurements shown are in millimetres.
Drawing sizes are not to scale.



Hotels



Healthcare



Education



Commercial



Less Able

Twyford

Geberit Group

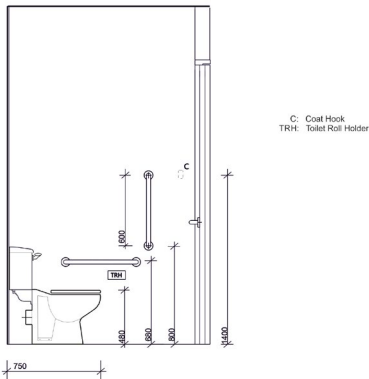
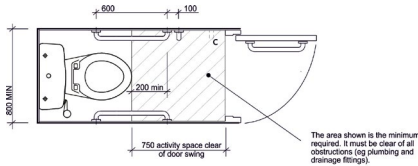
210

doc.m ambulant cc pack

thermostatically protected via external blending valve
available with white and blue rails and seats



Doc. M ambulant CC pack with white grab rails & seat



All measurements shown are in millimetres.
Drawing sizes are not to scale.

to specify/order:

Please use the product reference shown below.

Doc.M ambulant close coupled pack

With white grab rails and seat

PK8160WH

comprising components

Avalon HO pan
Doc.M value cistern, fittings & standard lever - 6 litre flush
Doc.M seat ring, stainless steel hinge
3 x 600mm grab rails exposed fixings
1 x 450mm grab rail exposed fixings
Pan fixings
Cistern cover clip

The products included in the set and the layout details are in accordance with those laid down in the Building Regulations Approved Document M 2015

approvals

LABC certificate, ref: Pending

material

Vitreous china.

Grab rails in powder coated steel.

colours

Vitreous china in white only.

Rails and seat in white.

White WH

(White RAL 9003, Luminance Value 76)



Hotels



Healthcare



Education



Commercial



Less Able

Twyford

Geberit Group

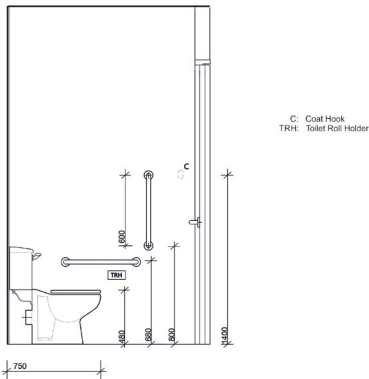
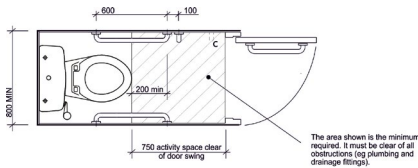
211

doc.m ambulant cc pack

thermostatically protected via external blending valve
available with white and blue rails and seats



Doc M ambulant CC pack with blue grab rails & seat



All measurements shown are in millimetres.
Drawing sizes are not to scale.

to specify/order:

Please use the product reference shown below.

Doc.M ambulant close coupled pack

With blue grab rails and seat

PK8160BE

comprising components

Avalon HO pan
Doc.M value cistern, fittings & standard lever - 6 litre flush
Doc.M seat ring, stainless steel hinge
3 x 600mm grab rails exposed fixings
1 x 450mm grab rail exposed fixings
Pan fixings
Cistern cover clip

The products included in the set and the layout details are in accordance with those laid down in the Building Regulations Approved Document M 2015

approvals

LABC certificate, ref: Pending

material

Vitreous china.

Grab rails in powder coated steel.

colours

Vitreous china in white only.

Rails and seat in blue.

Blue BE

(Blue RAL 5011, Luminance Value 6)



Hotels



Healthcare



Education



Commercial



Less Able

Twyford

Geberit Group

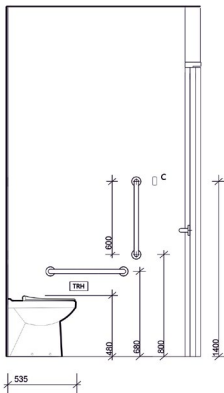
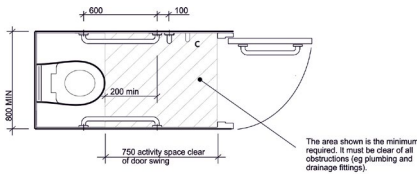
212

doc.m rimless ambulant btw pack

modern rimless design
4 litre flush



Doc.M rimless ambulant btw pack with white rails & seat



All measurements shown are in millimetres.
Drawing sizes are not to scale.

to specify/order:

Please use the product reference shown below.

Doc.M rimless ambulant btw pack

With white grab rails & seat

PK8170WH

comprising components

Avalon Rimless HO pan and fixings

Concealed cistern and standard lever, 4 or 6 litre flush

Avalon seat ring, stainless steel bar hinge, top fix and stability buffers

3 x 600mm grab rails concealed fixings

1 x 450mm grab rail concealed fixings

note

The products included in the set and the layout details are in accordance with those laid down in the Building Regulations Approved Document M 2015

approvals

LABC certificate, ref: Pending

material

Vitreous china.

Grab rails in powder coated aluminium.

colours

Vitreous china in white only.

Rails in white.

Seat in white.

White WH

(White RAL 9016, Luminance Value 90)



Hotels



Healthcare



Education



Commercial



Less Able

Twyford

Geberit Group

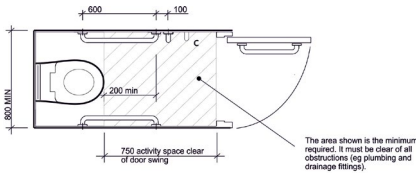
213

doc.m rimless ambulant btw pack

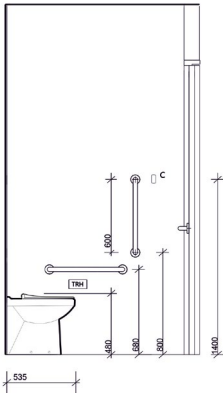
modern rimless design
4 litre flush



Doc.M rimless ambulant btw pack with blue rails & seat



C: Coat Hook
TRH: Toilet Rail Holder



All measurements shown are in millimetres.
Drawing sizes are not to scale.

to specify/order:

Please use the product reference shown below.

Doc.M rimless ambulant btw pack

With blue grab rails & seat

PK8170BE

comprising components

Avalon Rimless HO pan and fixings

Concealed cistern and standard lever, 4 or 6 litre flush

Avalon seat ring, stainless steel bar hinge, top fix and stability buffers

3 x 600mm grab rails concealed fixings

1 x 450mm grab rail concealed fixings

note

The products included in the set and the layout details are in accordance with those laid down in the Building Regulations Approved Document M 2015

approvals

LABC certificate, ref: Pending

material

Vitreous china.

Grab rails in powder coated aluminium.

colours

Vitreous china in white only.

Rails in blue.

Seat in blue.

Blue BE (Blue RAL 5011, Luminance Value 6)



Hotels



Healthcare



Education



Commercial



Less Able

Twyford

Geberit Group

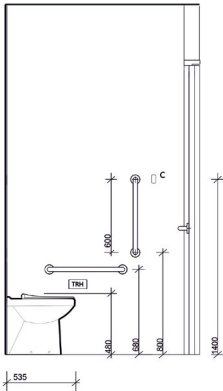
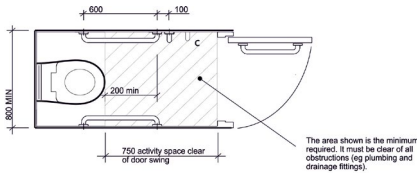
214

doc.m rimless ambulant btw pack

modern rimless design
4 litre flush



Doc.M rimless ambulant btw pack with grey rails & seat



C: Coat Hook
TRH: Toilet Rail Holder

All measurements shown are in millimetres.
Drawing sizes are not to scale.

to specify/order:

Please use the product reference shown below.

Doc.M rimless ambulant btw pack

With grey grab rails & seat

PK8170GY

comprising components

Avalon Rimless HO pan and fixings

Concealed cistern and standard lever, 4 or 6 litre flush

Avalon seat ring, stainless steel bar hinge, top fix and stability buffers

3 x 600mm grab rails concealed fixings

1 x 450mm grab rail concealed fixings

note

The products included in the set and the layout details are in accordance with those laid down in the Building Regulations Approved Document M 2015

approvals

LABC certificate, ref: Pending

material

Vitreous china.

Grab rails in powder coated aluminium.

colours

Vitreous china in white only.

Rails in grey.

Seat in grey.

Grey GY

(Grey RAL 7005, Luminance Value 20)



Hotels



Healthcare



Education



Commercial



Less Able

Twyford

Geberit Group

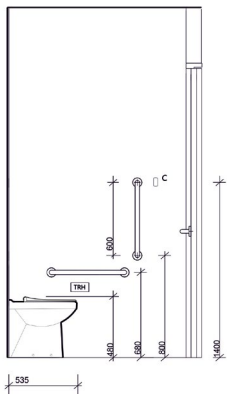
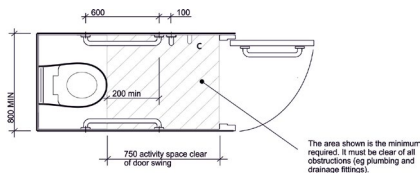
215

doc.m rimless ambulant btw pack

modern rimless design
4 litre flush



Doc.M rimless ambulant btw pack with stainless steel rails & grey seat



C: Coat Hook
TRH: Toilet Rail Holder

All measurements shown are in millimetres.
Drawing sizes are not to scale.

to specify/order:

Please use the product reference shown below.

Doc.M rimless ambulant btw pack

With stainless steel grab rails & grey seat **PK8170SS**

comprising components

Avalon Rimless HO pan and fixings
Concealed cistern and standard lever, 4 or 6 litre flush
Avalon seat ring, stainless steel bar hinge, top fix and stability buffers
3 x 600mm grab rails concealed fixings
1 x 450mm grab rail concealed fixings

note

The products included in the set and the layout details are in accordance with those laid down in the Building Regulations Approved Document M 2015

approvals

LABC certificate, ref: Pending

material

Vitreous china.
Grab rails in brushed stainless steel.

colours

Vitreous china in white only.
Rails in stainless steel.
Seat in grey.

Stainless steel (Luminance Value 42)
Grey GY (Grey RAL 7005, Luminance Value 20)



Hotels



Healthcare



Education



Commercial



Less Able

Twyford

Geberit Group

216

doc.m rimless btw pack

modern rimless design
4 litre flush



Doc.M rimless back-to-wall pack with white rails & seat
Right hand installation shown.

to specify/order:

Please use the product reference shown below.

Doc.M rimless back-to-wall pack

Left hand with white rails & seat
Right hand with white rails & seat

PK8257WH
PK8357WH

comprising components

Avalon 700mm projection BTW Rimfree pan
Concealed cistern, single flush lever, 4 litre flush
Avalon 50mm extension for WC
Avalon seat ring, stainless steel bar hinge, top fix and stability buffers
Doc.M back support with cushion
Sola square handrinse basin 400, no overflow 1 tap
Sola thermostatic basin mixer with fixed spout and copper tails (SF1140CP),
Grid waste, Wall bolts (pair),
4 x 600mm grab rails concealed fixings,
1 x 450mm grab rail concealed fixings,
1x Hinged support rail and toilet roll holder concealed fixings

note

Please note basin traps to be ordered separately.

The products included in the set and the layout details are in accordance with those laid down in the Building Regulations Approved Document M 2015

approvals

LABC certificate, ref: Pending
WRAS Approved, TMV3



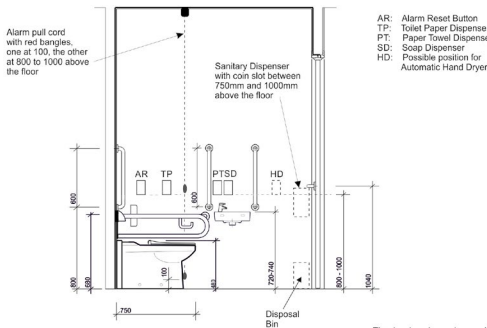
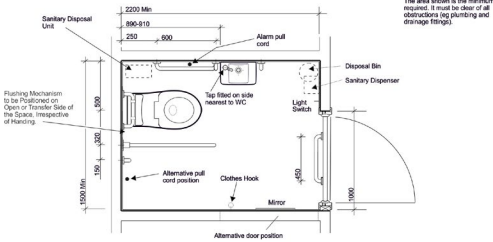
material

Vitreous china.
Grab rails in powder coated aluminium.

colours

Vitreous china in white only.
Rails in white.
Seat in white.

White WH (White RAL 9016, Luminance Value 90)



All measurements shown are in millimetres.
Drawing sizes are not to scale.



Hotels



Healthcare



Education



Commercial



Less Able

Twyford
Geberit Group

217

doc.m rimless btw pack

modern rimless design
4 litre flush



Doc.M rimless back-to-wall pack with blue rails & seat
Right hand installation shown.

to specify/order:

Please use the product reference shown below.

Doc.M rimless back-to-wall pack

Left hand with blue rails & seat
Right hand with blue rails & seat

PK8257BE
PK8357BE

comprising components

Avalon 700mm projection BTW Rimfree pan
Concealed cistern, single flush lever, 4 litre flush
Avalon 50mm extension for WC
Avalon seat ring, stainless steel bar hinge, top fix
and stability buffers
Doc.M back support with cushion
Sola square handrinse basin 400, no overflow 1 tap
Sola thermostatic basin mixer with fixed spout and copper
tails (SF1140CP),
Grid waste, Wall bolts (pair),
4 x 600mm grab rails concealed fixings,
1 x 450mm grab rail concealed fixings,
1x Hinged support rail and toilet roll holder concealed
fixings

note

Please note basin traps to be ordered separately.

The products included in the set and the layout details
are in accordance with those laid down in the Building
Regulations Approved Document M 2015

approvals

LABC certificate, ref: Pending
WRAS Approved, TMV3



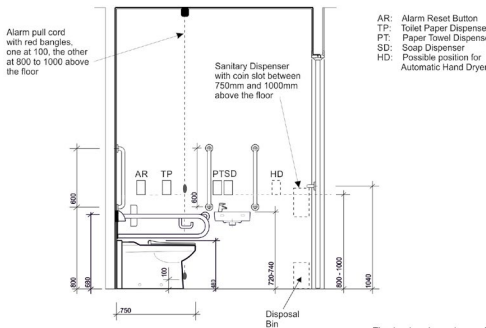
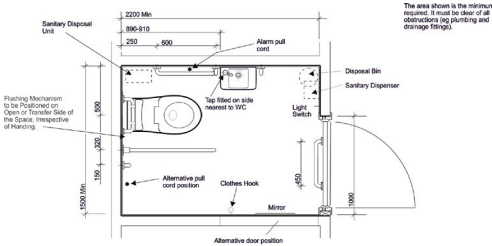
material

Vitreous china.
Grab rails in powder coated aluminium.

colours

Vitreous china in white only.
Rails in blue.
Seat in blue.

Blue BE (Blue RAL 5011, Luminance Value 6)



The drawing above shows a Left Hand installation. A Right Hand installation is the mirror image of above.

All measurements shown are in millimetres.
Drawing sizes are not to scale.



Hotels



Healthcare



Education



Commercial



Less Able

Twyford

Geberit Group

218

doc.m rimless btw pack

modern rimless design
4 litre flush



Doc.M rimless back-to-wall pack with grey rails & seat
Right hand installation shown.

to specify/order:

Please use the product reference shown below.

Doc.M rimless back-to-wall pack

Left hand with grey rails & seat
Right hand with grey rails & seat

PK8257GY
PK8357GY

comprising components

Avalon 700mm projection BTW Rimfree pan
Concealed cistern, single flush lever, 4 litre flush
Avalon 50mm extension for WC
Avalon seat ring, stainless steel bar hinge, top fix and stability buffers
Doc.M back support with cushion
Sola square handrinse basin 400, no overflow 1 tap
Sola thermostatic basin mixer with fixed spout and copper tails (SF1140CP),
Grid waste, Wall bolts (pair),
4 x 600mm grab rails concealed fixings,
1 x 450mm grab rail concealed fixings,
1x Hinged support rail and toilet roll holder concealed fixings

note

Please note basin traps to be ordered separately.

The products included in the set and the layout details are in accordance with those laid down in the Building Regulations Approved Document M 2015

approvals

LABC certificate, ref: Pending
WRAS Approved, TMV3



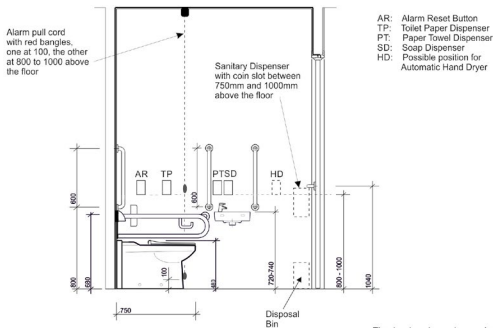
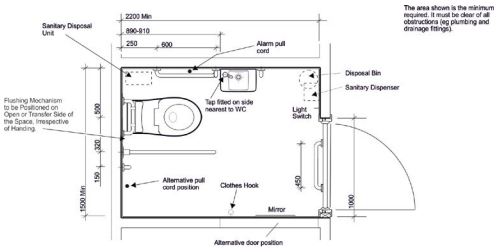
material

Vitreous china.
Grab rails in powder coated aluminium.

colours

Vitreous china in white only.
Rails in grey.
Seat in grey.

Grey GY (Grey RAL 7005, Luminance Value 20)



All measurements shown are in millimetres.
Drawing sizes are not to scale.



Hotels



Healthcare



Education



Commercial



Less Able

Twyford

Geberit Group

219

doc.m rimless btw pack

modern rimless design
4 litre flush



Doc.M rimless back-to-wall pack with stainless steel rails & grey seat
Right hand installation shown.

to specify/order:

Please use the product reference shown below.

Doc.M rimless back-to-wall pack

Left hand with stainless steel rails & grey seat **PK8257SS**

Right hand with stainless steel rails & grey seat **PK8357SS**

comprising components

- Avalon 700mm projection BTW Rimfree pan
- Concealed cistern, single flush lever, 4 litre flush
- Avalon 50mm extension for WC
- Avalon seat ring, stainless steel bar hinge, top fix and stability buffers
- Doc.M back support with cushion
- Sola square handrinse basin 400, no overflow 1 tap
- Sola thermostatic basin mixer with fixed spout and copper tails (SF1140CP),
- Grid waste, Wall bolts (pair),
- 4 x 600mm grab rails concealed fixings,
- 1 x 450mm grab rail concealed fixings,
- 1x Hinged support rail and toilet roll holder concealed fixings

note

Please note basin traps to be ordered separately.

The products included in the set and the layout details are in accordance with those laid down in the Building Regulations Approved Document M 2015

approvals

LABC certificate, ref: Pending
WRAS Approved, TMV3



material

Vitreous china. Grab rails in brushed stainless steel.

colours

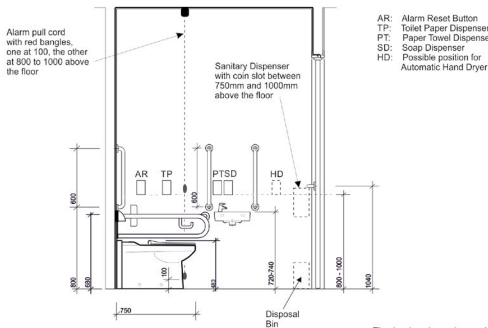
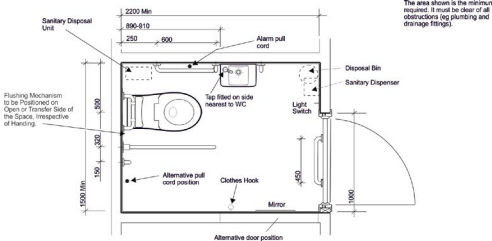
Vitreous china in white only.

Rails in stainless steel.

Seats in grey.

Stainless steel (Luminance Value 42)

Grey GY (Grey RAL 7005, Luminance Value 20)



All measurements shown are in millimetres.
Drawing sizes are not to scale.



Hotels



Healthcare



Education



Commercial



Less Able

Twyford

Geberit Group

220

doc.m concealed shower pack

TMV3 approved thermostatic shower valve
 fixed and moveable shower head
 BS8300 compliant shower kit



Doc.M shower packs white rails

to specify/order:

Please use the product reference shown below.

Doc.M concealed shower pack

With white grab rails

PK7010WH

comprising components

- Shower rail 1200 x 1200mm
- Shower curtain 1800 x 2000mm x 2
- Concealed shower valve (SF1137CP)
- Shower rail, hose and head
- Shower vandal resistant fixed head
- Shower diverter
- 3 x 600mm support rail concealed fixings
- 2 x hinged support rail concealed fixings
- Pressalit seat and back rest

note

The products included in the set and the layout details are in accordance with those laid down in the Building Regulations Approved Document M 2015

approvals

LABC certificate, ref: Pending
 WRAS Approved
 TMV3



installation

Minimum operating pressure 0.2 bar
 Maximum operating pressure 10 bar

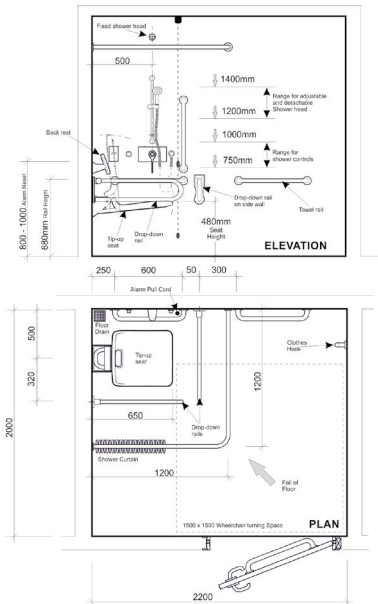
material

Grab rails in powder coated aluminium.

colours

Grab rails in white.
 Shower rail and curtain white only. Grey Seat

White WH (White RAL 90163, Luminance Value 90)
 Grey GY (Grey RAL 7005, Luminance Value 20)



Typical Doc.M shower room layout

All measurements shown are in millimetres.
 Drawing sizes are not to scale.



Fixed Shower Head and Handset PK7010 - -

Flow Rate (Litre's per minute)	0.5 Bar	1 Bar	2 Bar	3 Bar	4 Bar	5 Bar
Through Fixed Head (Flow Regulator Fitted)	3.4	4.9	6.3	7.4	8.0	8.3
Through Handset (Flow Regulator Fitted)	3.9	5.3	8.0	8.5	9.0	9.0



Hotels



Healthcare



Education



Commercial



Less Able

Twyford
 Geberit Group

221

doc.m concealed shower pack

TMV3 approved thermostatic shower valve
fixed and moveable shower head
BS8300 compliant shower kit



Doc.M shower packs blue rails

to specify/order:

Please use the product reference shown below.

Doc.M concealed shower pack

With blue grab rails

PK7010BE

comprising components

- Shower rail 1200 x 1200mm
- Shower curtain 1800 x 2000mm x 2
- Concealed shower valve (SF1137CP)
- Shower rail, hose and head
- Shower vandal resistant fixed head
- Shower diverter
- 3 x 600mm support rail concealed fixings
- 2 x hinged support rail concealed fixings
- Pressalit seat and back rest

note

The products included in the set and the layout details are in accordance with those laid down in the Building Regulations Approved Document M 2015

approvals

LABC certificate, ref: Pending
WRAS Approved
TMV3



installation

Minimum operating pressure 0.2 bar
Maximum operating pressure 10 bar

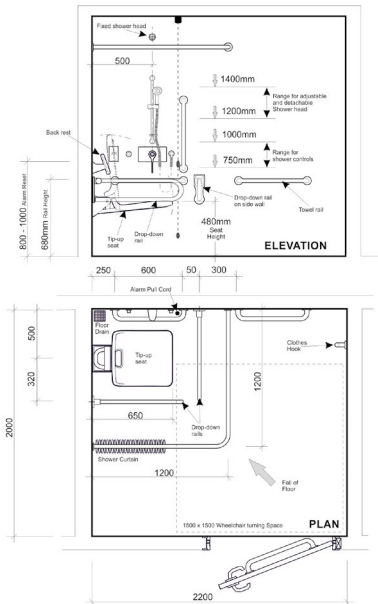
material

Grab rails in powder coated aluminium.

colours

Grab rails in blue.
Shower rail and curtain white only. Grey Seat

Blue BE (Blue RAL 5011, Luminance Value 6)
Grey GY (Grey RAL 7005, Luminance Value 20)



Typical Doc.M shower room layout

All measurements shown are in millimetres.
Drawing sizes are not to scale.



Fixed Shower Head and Handset PK7010 - -

Flow Rate (Litre per minute)	0.5 Bar	1 Bar	2 Bar	3 Bar	4 Bar	5 Bar
Through Fixed Head (Flow Regulator Fitted)	3.4	4.9	6.3	7.4	8.0	8.3
Through Handset (Flow Regulator Fitted)	3.9	5.3	8.0	8.5	9.0	9.0



Hotels



Healthcare



Education



Commercial



Less Able

Twyford
Geberit Group

222

doc.m concealed shower pack

TMV3 approved thermostatic shower valve
fixed and moveable shower head
BS8300 compliant shower kit



Doc.M shower packs grey rails

to specify/order:

Please use the product reference shown below.

Doc.M concealed shower pack

With grey grab rails

PK7010GY

comprising components

- Shower rail 1200 x 1200mm
- Shower curtain 1800 x 2000mm x 2
- Concealed shower valve (SF1137CP)
- Shower rail, hose and head
- Shower vandal resistant fixed head
- Shower diverter
- 3 x 600mm support rail concealed fixings
- 2 x hinged support rail concealed fixings
- Pressalit seat and back rest

note

The products included in the set and the layout details are in accordance with those laid down in the Building Regulations Approved Document M 2015

approvals

LABC certificate, ref: Pending
WRAS Approved
TMV3



installation

Minimum operating pressure 0.2 bar
Maximum operating pressure 10 bar

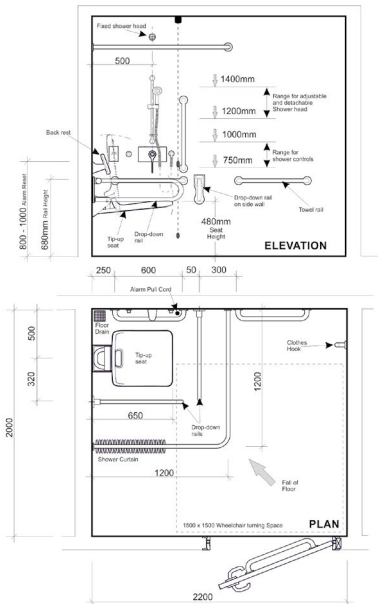
material

Grab rails in powder coated aluminium.

colours

Grab rails in grey.
Shower rail and curtain white only. Grey Seat

Grey GY (Grey RAL 7005, Luminance Value 20)



Typical Doc.M shower room layout

All measurements shown are in millimetres.
Drawing sizes are not to scale.



Hotels



Healthcare



Education



Commercial



Less Able

Twyford
Geberit Group

223

doc.m concealed shower pack

TMV3 approved thermostatic shower valve
fixed and moveable shower head
BS8300 compliant shower kit



Doc.M shower packs stainless steel rails

to specify/order:

Please use the product reference shown below.

Doc.M concealed shower pack

With stainless steel grab rails

PK7010SS

comprising components

Shower rail 1200 x 1200mm
Shower curtain 1800 x 2000mm x 2
Concealed shower valve (SF1137CP)
Shower rail, hose and head
Shower vandal resistant fixed head
Shower diverter
3 x 600mm support rail concealed fixings
2 x hinged support rail concealed fixings
Pressalit seat and back rest

note

The products included in the set and the layout details are in accordance with those laid down in the Building Regulations Approved Document M 2015

approvals

LABC certificate, ref: Pending
WRAS Approved
TMV3



installation

Minimum operating pressure 0.2 bar
Maximum operating pressure 10 bar

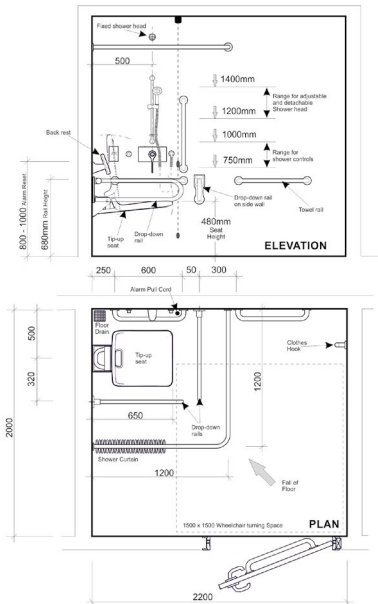
material

Grab rails in brushed stainless steel.

colours

Grab rails in brushed stainless steel.
Shower rail and curtain white only. Grey Seat

Stainless steel (Luminance Value 42)
Grey GY (Grey RAL 7005, Luminance Value 20)



Typical Doc.M shower room layout

All measurements shown are in millimetres.
Drawing sizes are not to scale.



Fixed Shower Head and Handset PK7010 - -

Flow Rate (Litre's per minute)	0.5 Bar	1 Bar	2 Bar	3 Bar	4 Bar	5 Bar
Through Fixed Head (Flow Regulator Fitted)	3.4	4.9	6.3	7.4	8.0	8.3
Through Handset (Flow Regulator Fitted)	3.9	5.3	8.0	8.5	9.0	9.0



Hotels



Healthcare



Education



Commercial



Less Able

Twyford
Geberit Group

224

doc.m exposed shower pack

TMV3 approved thermostatic shower valve
fixed and moveable shower head
BS8300 compliant shower kit



Doc.M shower packs white rails

to specify/order:

Please use the product reference shown below.

Doc.M exposed shower pack

With white grab rails

PK7020WH

comprising components

- Shower rail 1200 x 1200mm
- Shower curtain 1800 x 2000mm x 2
- Exposed shower valve (SF1135CP)
- Shower rail, hose and head
- 1 metre of chromed pipe
- Shower fixed head
- Shower diverter
- 3 x 600mm support rail concealed fixings
- 2 x Hinged support rail concealed fixings
- Pressalit seat and back rest

note

The products included in the set and the layout details are in accordance with those laid down in the Building Regulations Approved Document M 2015

approvals

LABC certificate, ref: Pending
WRAS Approved
TMV3



installation

Minimum operating pressure 0.2 bar
Maximum operating pressure 10 bar

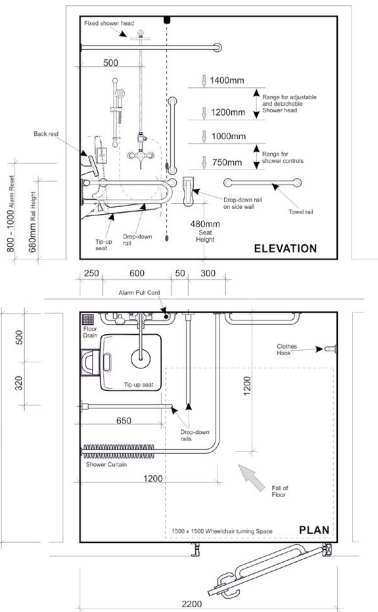
material

Grab rails in powder coated aluminium.

colours

Grab rails in white.
Shower rail and curtain white only. Grey seat.

White WH (White RAL 9016, Luminance Value 90)
Grey GY (Grey RAL 7005, Luminance Value 20)



Typical Doc.M shower room layout

All measurements shown are in millimetres.
Drawing sizes are not to scale.



Hotels



Healthcare



Education



Commercial



Less Able

Twyford

Gerberit Group

225

doc.m exposed shower pack

TMV3 approved thermostatic shower valve
fixed and moveable shower head
BS8300 compliant shower kit



Doc.M shower packs blue rails

to specify/order:

Please use the product reference shown below.

Doc.M exposed shower pack

With blue grab rails

PK7020BE

comprising components

- Shower rail 1200 x 1200mm
- Shower curtain 1800 x 2000mm x 2
- Exposed shower valve (SF1135CP)
- Shower rail, hose and head
- 1 metre of chromed pipe
- Shower fixed head
- Shower diverter
- 3 x 600mm support rail concealed fixings
- 2 x Hinged support rail concealed fixings
- Pressalit seat and back rest

note

The products included in the set and the layout details are in accordance with those laid down in the Building Regulations Approved Document M 2015

approvals

LABC certificate, ref: Pending

WRAS Approved

TMV3



installation

Minimum operating pressure 0.2 bar

Maximum operating pressure 10 bar

material

Grab rails in powder coated aluminium.

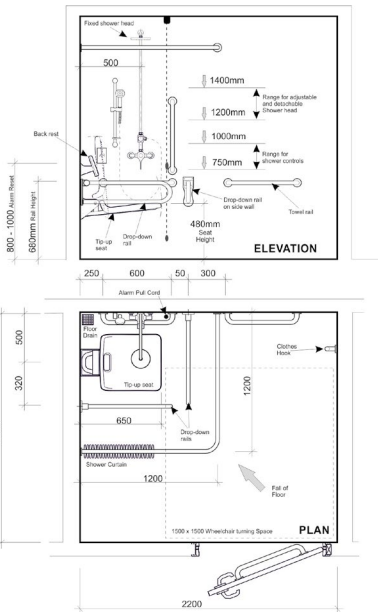
colours

Grab rails in blue

Shower rail and curtain white only. Grey seat.

Blue BE (Blue RAL 5011, Luminance Value 6)

Grey GY (Grey RAL 7005, Luminance Value 20)



Typical Doc.M shower room layout

All measurements shown are in millimetres.
Drawing sizes are not to scale.



Hotels



Healthcare



Education



Commercial



Less Able

Twyford

Gerberit Group

226

doc.m exposed shower pack

TMV3 approved thermostatic shower valve
fixed and moveable shower head
BS8300 compliant shower kit



Doc.M shower packs grey rails

to specify/order:

Please use the product reference shown below.

Doc.M exposed shower pack

With grey grab rails

PK7020GY

comprising components

- Shower rail 1200 x 1200mm
- Shower curtain 1800 x 2000mm x 2
- Exposed shower valve (SF1135CP)
- Shower rail, hose and head
- 1 metre of chromed pipe
- Shower fixed head
- Shower diverter
- 3 x 600mm support rail concealed fixings
- 2 x Hinged support rail concealed fixings
- Pressalit seat and back rest

note

The products included in the set and the layout details are in accordance with those laid down in the Building Regulations Approved Document M 2015

approvals

LABC certificate, ref: Pending

WRAS Approved

TMV3



installation

Minimum operating pressure 0.2 bar

Maximum operating pressure 10 bar

material

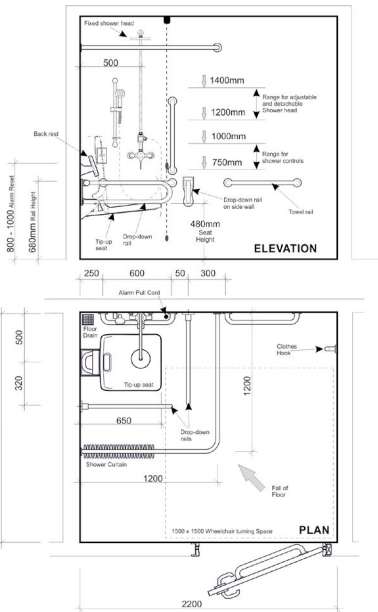
Grab rails in powder coated aluminium.

colours

Grab rails in grey.

Shower rail and curtain white only. Grey seat.

Grey GY (Grey RAL 7005, Luminance Value 20)



Typical Doc.M shower room layout

All measurements shown are in millimetres.
Drawing sizes are not to scale.

Fixed Shower Head and Handset PK7020 - -

Flow Rate (Litres per minute)	0.5 Bar	1 Bar	2 Bar	3 Bar	4 Bar	5 Bar
Through Fixed Head (Flow regulator Fitted)	5.5	7.8	8.8	8.9	8.9	9.0
Through Handset (Flow Regulator Fitted)	3.9	5.3	8.0	8.5	9.0	9.0



Hotels



Healthcare



Education



Commercial



Less Able

Twyford

Gerberit Group

227

doc.m exposed shower pack

TMV3 approved thermostatic shower valve
fixed and moveable shower head
BS8300 compliant shower kit



Doc.M shower packs stainless steel rails

to specify/order:

Please use the product reference shown below.

Doc.M exposed shower pack

With stainless steel grab rails

PK7020SS

comprising components

Shower rail 1200 x 1200mm
Shower curtain 1800 x 2000mm x 2
Exposed shower valve (SF1135CP)
Shower rail, hose and head
1 metre of chromed pipe
Shower fixed head
Shower diverter
3 x 600mm support rail concealed fixings
2 x Hinged support rail concealed fixings
Pressalit seat and back rest

note

The products included in the set and the layout details are in accordance with those laid down in the Building Regulations Approved Document M 2015

approvals

LABC certificate, ref: Pending

WRAS Approved

TMV3



installation

Minimum operating pressure 0.2 bar

Maximum operating pressure 10 bar

material

Grab rails in Brushed stainless steel.

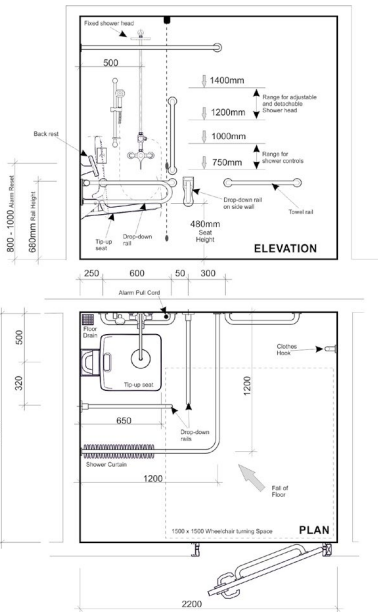
colours

Grab rails in stainless steel.

Shower rail and curtain white only. Grey seat.

Stainless steel (Luminance Value 42)

Grey GY (Grey RAL 7005, Luminance Value 20)



Typical Doc.M shower room layout

All measurements shown are in millimetres.
Drawing sizes are not to scale.



Hotels



Healthcare



Education



Commercial



Less Able

Twyford

Gerberit Group

228

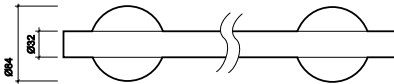
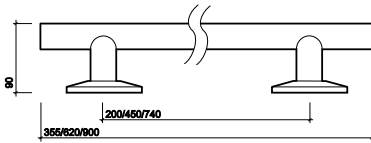
	Ambulant CC	Ambulant BTW Rimless	CC Value	CC Value Plus	CC Rimless Super	BTW Rimless	Shower - Concealed	Shower - Exposed
Colour Options	White/Blue	White/Blue/ Grey/ Stainless Steel	White/Blue	White/Blue/ Grey	White/Blue/ Grey/ Stainless Steel	White/Blue/ Grey/ Stainless Steel	White/Blue/ Grey/ Stainless Steel	White/Blue/ Grey/ Stainless Steel
Grab Rails	Exposed Fixings	Concealed Fixings	Exposed Fixings	Concealed Fixings	Concealed Fixings	Concealed Fixings	Concealed Fixings	Concealed Fixings
Handedness	n/a	n/a	2TH with blanking plug	LH/RH	LH/RH	LH/RH	LH/RH	LH/RH
Pan Type	CC	BTW	CC	CC	CC	BTW	n/a	n/a
Rimless	No	Yes	No	No	Yes	Yes	n/a	n/a
Basin Size	n/a	n/a	355mm x 250mm	355mm x 250mm	250mm x 400mm	250mm x 400mm	n/a	n/a
Tap	n/a	n/a	Domestic tap and External Blending Valve	Spray Mixer and External Blending Valve	Thermostatic Mixer	Thermostatic Mixer	n/a	n/a
Shower Type	n/a	n/a	n/a	n/a	n/a	n/a	Concealed valve, riser rail kit and commercial fixed head	Exposed valve, riser rail kit and domestic fixed head

support items

smart and practical rails in
stainless steel available in 3 sizes



Grab rails 355, 620 & 900mm



grab rail

Grab rail 355mm long
Grab rail 620mm long
Grab rail 900mm long

SR6935SS
SR6962SS
SR6990SS

material

Stainless steel.

fixings

Secure rail to wall using suitable fixings for wall structure. Concealed fittings.

All measurements shown are in millimetres.
Drawing sizes are not to scale.



Hotels



Healthcare



Education



Commercial



Residential



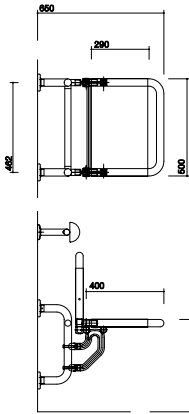
Less Able

Twyford

Geberit Group

230

avalon shower support items



folding shower seat

folding shower seat white
folding shower seat blue
folding shower seat grey

AV8800WH
AV8800BE
AV8800GY

note

Folding shower seat with back support, for Doc.M compliant showering.

material

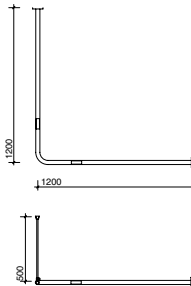
Powder coated aluminium frame with vinyl seat.

colours

White WH, blue BE or grey GY.
 (Blue RAL 501 1, Luminance Values 6)
 (Grey RAL 7005, Luminance Values 20)
 (White RAL 9016, Luminance Values 90)

fixings

This seat must be securely fixed to a solid wall using appropriate fixings (not supplied). Fixing into unstable or soft block walls is not recommended. The wall must be flat.



shower rail curtain

shower curtain rail

1200 x 1200mm

AV6814WH

note

Suitable for Doc.M compliant shower rooms.

material

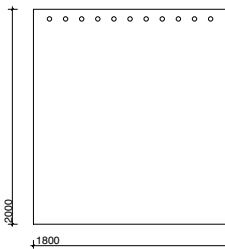
Powder coated aluminium.

colours

White WH.
 (White RAL 9016, Luminance Values 90)

fixings

This rail must be securely fixed to a solid wall using appropriate fixings (not supplied). Fixing into unstable or soft block walls is not recommended. The wall must be flat.



shower curtain

shower curtain

1800 x 2000mm

AV6817WH

note

Suitable for use with Avalon shower curtain rail in Doc.M compliant shower rooms.

material

Polyester.

colours

White WH.

fixings

Secure to Avalon shower curtain rail using rings supplied with rail.

All measurements shown are in millimetres.
 Drawing sizes are not to scale.



Hotels



Healthcare



Education



Commercial



Residential



Less Able

Twyford

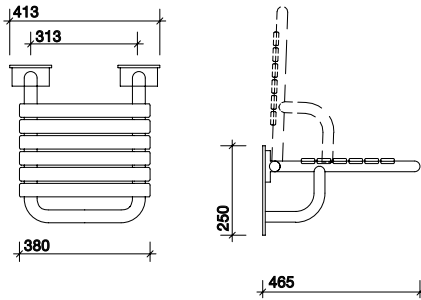
Geberit Group

231

avalon support items

to specify/order:

Please use the product reference shown below.



Shower seat

shower seat

White
Blue
Grey

AV7800WH
AV7800BE
AV7800GY

material

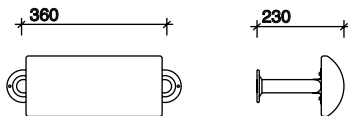
Powder coated aluminium frame
with plastic slatted seat.

colours

White WH, blue BE or grey GY.
(Blue RAL 5011, Luminance Values 6)
(Grey RAL 7005, Luminance Values 20)
(White RAL 9016, Luminance Values 90)

fixings

This seat must be securely fixed to a solid wall
using appropriate fixings (not supplied).
The wall must be flat.



Back rest

back support with cushion

White
Blue
Grey

AV4912WH
AV4912BE
AV4912GY

material

Powder coated aluminium.

colours

White WH, blue BE or grey GY.
(Blue RAL 5011, Luminance Values 6)
(Grey RAL 7005, Luminance Values 20)
(White RAL 9016, Luminance Values 90)

fixings

Secure rail to wall using suitable fixings
for wall structure. Concealed fittings.

All measurements shown are in millimetres.
Drawing sizes are not to scale.



Hotels



Healthcare



Education



Commercial



Residential



Less Able

Twyford

Geberit Group

232

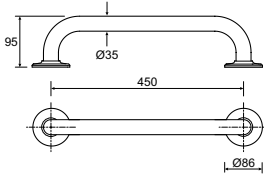
avalon support items

to specify/order:

Please use the product reference shown below.



Grab rails



450mm grab rail

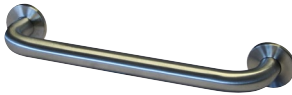
White
Blue
Grey

AV4901WH
AV4901BE
AV4901GY

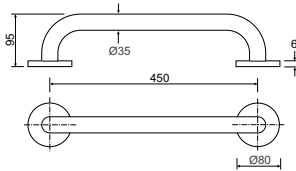
material - Powder coated aluminium.

colours - White WH, blue BE or grey GY.
(Blue RAL 5011, Luminance Value 6)
(Grey RAL 7005, Luminance Value 20)
(White RAL 9016, Luminance Value 90)

fixings Secure rail to wall using suitable fixings for wall structure. Concealed fittings.



Grab rails



450mm grab rail

Stainless Steel

AV4901SS

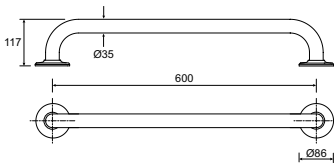
material - Stainless steel.

colours - Stainless steel (Luminance Value 42)

fixings Secure rail to wall using suitable fixings for wall structure. Concealed fittings.



Grab rails



600mm grab rail

White
Blue
Grey

AV4902WH
AV4902BE
AV4902GY

material - Powder coated aluminium.

colours - White WH, blue BE or grey GY.
(Blue RAL 5011, Luminance Value 6)
(Grey RAL 7005, Luminance Value 20)
(White RAL 9016, Luminance Value 90)

fixings Secure rail to wall using suitable fixings for wall structure. Concealed fittings.

All measurements shown are in millimetres.
Drawing sizes are not to scale.



Hotels



Healthcare



Education



Commercial



Residential



Less Able

Twyford

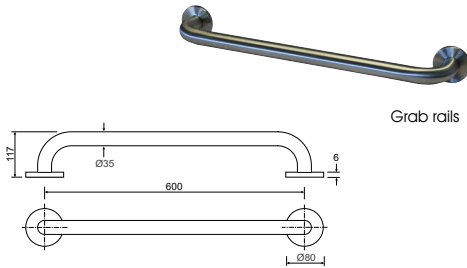
Geberit Group

233

avalon support items

to specify/order:

Please use the product reference shown below.



600mm grab rail

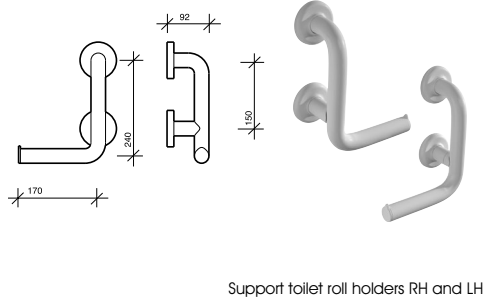
Stainless Steel

AV4902SS

material - Stainless steel.

colours - Stainless steel (Luminance Value 42)

fixings Secure rail to wall using suitable fixings for wall structure. Concealed fittings.



support toilet roll holder

Right hand vertical

AV5908WH

Left hand vertical

AV5909WH

material - Powder coated aluminium.

colours - White WH.
(White RAL 9016, Luminance Value 90)

fixings Secure rail to wall using suitable fixings for wall structure. Concealed fittings.

note It is recommended that the toilet roll holder is positioned on the side wall approx 100mm in front of the WC and 200mm above the seat. The vertical bar should be nearest the WC with the horizontal pointing away from the WC.

All measurements shown are in millimetres.
Drawing sizes are not to scale.



Hotels



Healthcare



Education



Commercial



Residential



Less Able

Twyford

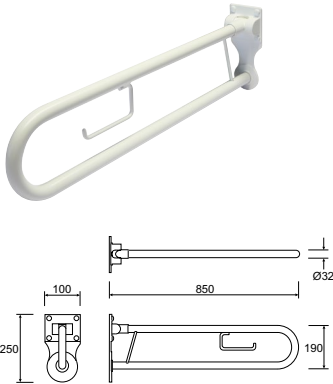
Geberit Group

234

avalon support items

to specify/order:

Please use the product reference shown below.



Hinged support rails

Hinged support rail with toilet roll holder

White
Blue
Grey

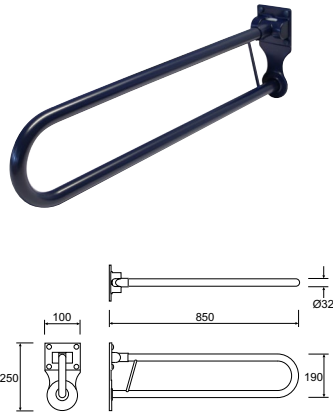
SR5906WH
SR5906BE
SR5906GY

material - Powder coated aluminium.

colours - White WH, blue BE or grey GY.
(Blue RAL 5011, Luminance Values 6)
(Grey RAL 7005, Luminance Values 20)
(White RAL 9016, Luminance Values 90)

fixings This fixture must be securely fixed to a solid wall. For all other wall types the rail must be secured to a suitable structural member. Full instructions are included in each pack. Concealed fittings.

note This item folds up against the wall to provide wheelchair access (as required by building regulations M3).



Hinged support rails

Hinged support rail without toilet Roll holder

White
Blue
Grey

AV4915WH
AV4915BE
AV4915GY

material - Powder coated aluminium.

colours - White WH, blue BE or grey GY.
(Blue RAL 5011, Luminance Values 6)
(Grey RAL 7005, Luminance Values 20)
(White RAL 9016, Luminance Values 90)

fixings This fixture must be securely fixed to a solid wall. For all other wall types the rail must be secured to a suitable structural member. Full instructions are included in each pack. Concealed fittings.

note This item folds up against the wall to provide wheelchair access (as required by building regulations M3).

All measurements shown are in millimetres.
Drawing sizes are not to scale.



Hotels



Healthcare



Education



Commercial



Residential



Less Able

Twyford

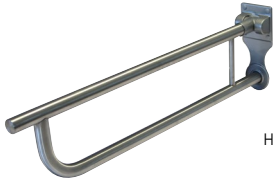
Geberit Group

235

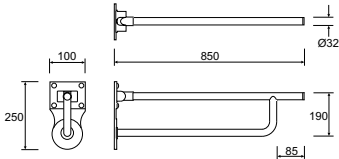
avalon support items

to specify/order:

Please use the product reference shown below.



Hinged support rails



Hinged support rail

Stainless Steel

AV4915SS

material - Stainless steel.

colours - Stainless steel (Luminance Value 42)

fixings This fixture must be securely fixed to a solid wall. For all other wall types the rail must be secured to a suitable structural member. Full instructions are included in each pack.

note This item folds up against the wall to provide wheelchair access (as required by building regulations M3).

All measurements shown are in millimetres.
Drawing sizes are not to scale.



Hotels



Healthcare



Education



Commercial



Residential



Less Able

Twyford

Geberit Group

236

avalon 50mm extension

to specify/order:

Please use the product reference shown below.



Avalon 50mm extension

avalon 50mm extension

Avalon 50mm extension

(for use with AV1498WH)

AV6900WH

note

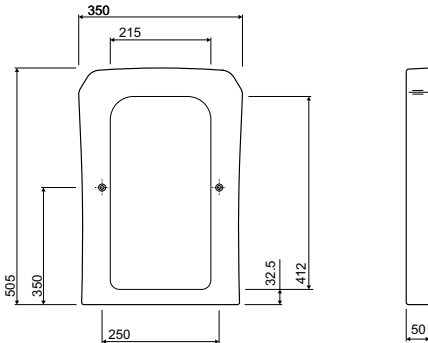
To extend WC from wall to dimensions required under building regs Part M.

material

Resin stone.

colour

White.



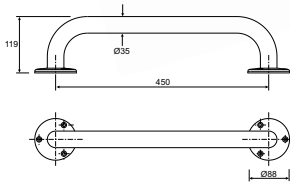
All measurements shown are in millimetres.
Drawing sizes are not to scale.

For sector applications please refer to individual product page.

doc.m support items

to specify/order:

Please use the product reference shown below.



Grab rail

grab rail 450mm long

White
Blue

SR5905WH
SR5905BE

material

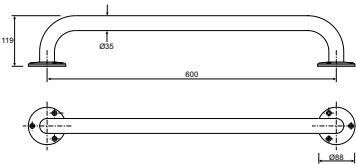
Powder coated steel.

colours

White WH (White RAL 9003, Luminance Values 76)
Blue BE (Blue RAL 5011, Luminance Values 6)

fixings

Secure rail to wall using suitable fixings for wall structure. Exposed fittings.



Grab rail

grab rail 600mm long

White
Blue
Grey

SR5902WH
SR5902BE
SR5902GY

material

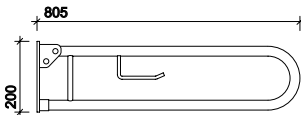
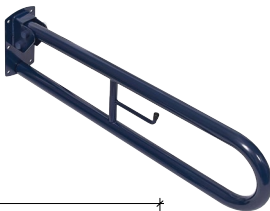
Powder coated steel.

colours

White WH (White RAL 9003, Luminance Values 76)
Blue BE (Blue RAL 5011, Luminance Values 6)
Grey GY (Grey RAL 7005, Luminance Values 20)

fixings

Secure rail to wall using suitable fixings for wall structure. Exposed fittings.



Hinged support rail with toilet roll holder

hinged support rail with toilet roll holder

White
Blue
Grey

SR5810WH
SR5810BE
SR5810GY

material

Powder coated steel.

colours

White WH (White RAL 9003, Luminance Values 76)
Blue BE (Blue RAL 5011, Luminance Values 6)
Grey GY (Grey RAL 7005, Luminance Values 20)

fixings

Secure rail to wall using suitable fixings for wall structure. Exposed fittings.

All measurements shown are in millimetres.
Drawing sizes are not to scale.



Hotels



Healthcare



Education



Commercial



Residential



Less Able

Twyford

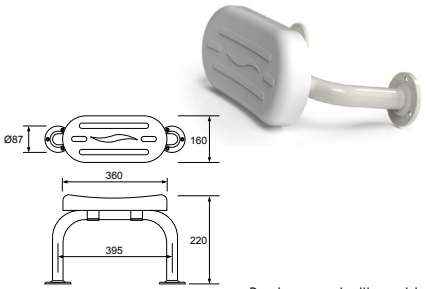
Geberit Group

238

doc.m support items

to specify/order:

Please use the product reference shown below.



back support with cushion

White
Blue
Grey

SR4922WH
SR4922BE
SR4922GY

material

Powder coated steel.

colours

White WH (White RAL 9003, Luminance Values 76)
Blue BE (Blue RAL 5011, Luminance Values 6)
Grey GY (Grey RAL 7005, Luminance Values 20)

fixings

Secure rail to wall using suitable fixings for wall structure. Exposed fittings.

All measurements shown are in millimetres.
Drawing sizes are not to scale.



Hotels



Healthcare



Education



Commercial



Residential



Less Able

Twyford

Geberit Group

239

Visit **www.twyfordbathrooms.com**



Registered office: Geberit Sales Ltd, Geberit House,
Edgehill Drive, Warwick, Warwickshire CV34 6NH
T: 01926 516800 F: 01926 400101
www.twyfordbathrooms.com Email: enquiries@geberit.co.uk

Technical helpline: T: 01926 516800 F: 01926 400101
Email: technical@geberit.co.uk

Part of the Geberit Group
Ref: TWYSM/03/2021

Whilst every care has been taken to ensure that the information included in this document was accurate at the time of printing, we reserve the right to change product specifications at any time without prior notice. The photographs reproduced in this publication are within the constraints of the printing process and are not to be used for matching purposes. All photographs are used for approximate representation only and may not show the actual products on offer. E&OE.