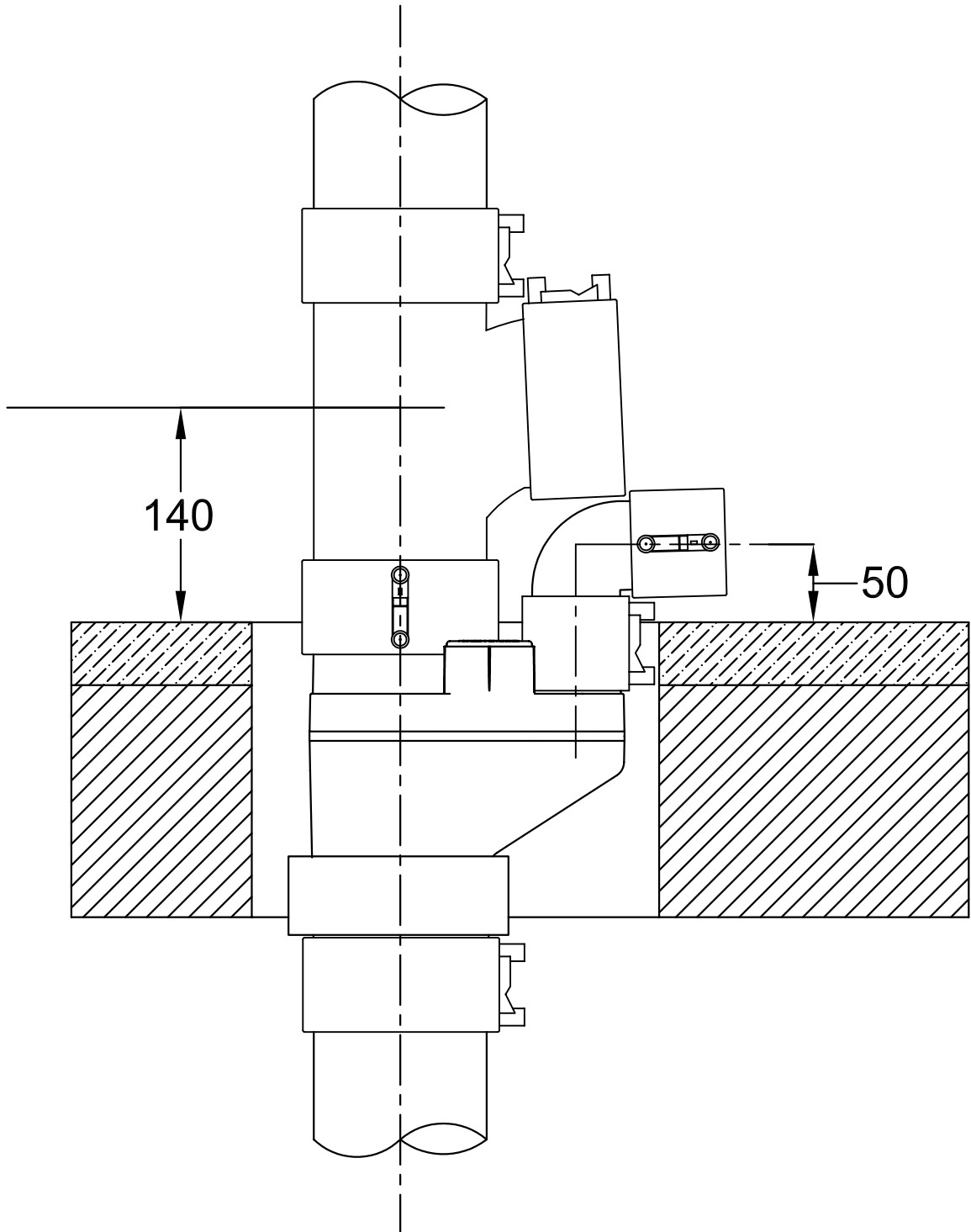


client	drawn	BS	date	01/05/2007
	scale	N.T.S.	sheet no.	
title	TRYICAL HDPE MANIFOLD INSTALLATION			
	Amendment:	Date:	Notes:	



**MANIFOLD**