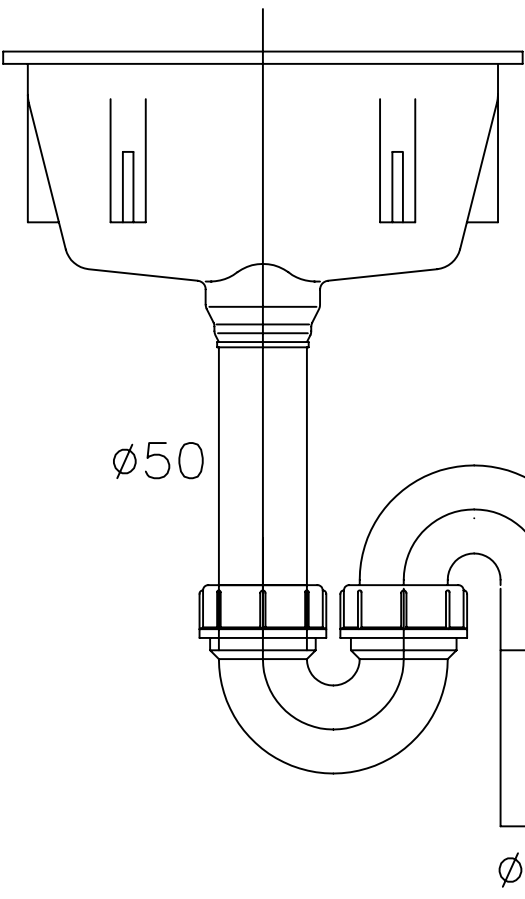
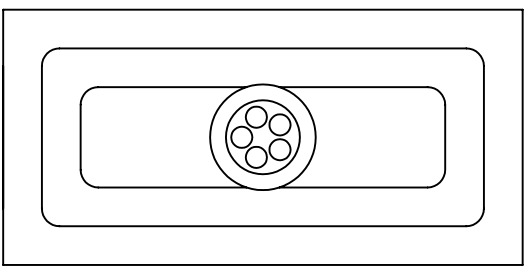


LABORATORY WASTE FUNNEL TO Ø50 'S' TRAP



352.389.08.1
LABORATORY
FUNNEL
295X145

152.038.16.1
'S' TRAP