

## Safety

**Target group and qualification**


The Geberit product is only allowed to be mounted by a trained plumber in accordance with the installation instructions and the safety regulations.

**Basic safety notes**

The following safety notes must always be complied with during the installation of the Geberit product:

- Carefully read the installation instructions prior to installation
- For reasons of reference, keep the installation instructions at hand during the installation
- Do not use any product that has visible defects
- Do not modify or convert the product yourself
- Ensure there is sufficient space and lighting available during installation

**Special safety notes**



**DANGER**  
**Danger of fatal electric shock**

▶ The electrical installation on site may only be carried out by authorised experts in accordance with the local legal regulations.

**Use**





The AquaClean 4000 shower toilet module may only be used with WC ceramic appliances with exposed or concealed cisterns.

Do not install the AquaClean 4000 in rooms where there is a risk of frost. The minimum ambient temperature is 10 °C.

Do not use rainwater with the AquaClean 4000.

Any other use or a use extending beyond this is deemed to be improper. Geberit will not accept any liability for any resulting damage.

## Explanation of symbols

Symbol	Importance
 <b>DANGER</b>	Refers to an immediately dangerous situation that will cause serious injury or death.
 <b>CAUTION</b>	Refers to a potentially dangerous situation that may cause slight or moderate injury or property damage.
	Refers to important information.
	Pay special attention to the activity step!

## Contact

For technical information or if you have any questions, please contact the responsible Geberit sales company or visit [www.geberit.com](http://www.geberit.com).

## Technical Data

Frequency	50 - 60 Hz
Nominal voltage	230 V AC
Mains connection cable length	2 m
Protection class	I
Protection degree	IP x4
Power consumption standby / with heating switched on	0.9 / 5.8 W
Power consumption	800 W
Flow pressure range	0.5 - 10 bar
Flow rate	0.9 - 1.6 l/min
Storage water heater capacity	0.9 l

## Installation

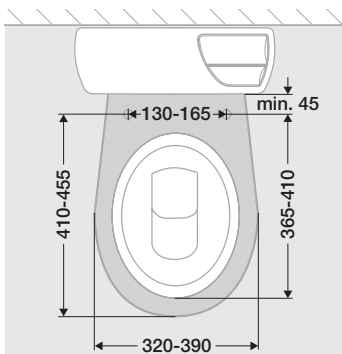
Installation consists of the following steps:

- Establishing the water supply connection
- Installing the AquaClean 4000 on the WC ceramic appliance
- Connecting the AquaClean 4000 to the water supply connection

The water supply connection of the AquaClean 4000 shower toilet can be established with an exposed or a concealed cistern.

### Prerequisites

- Earthed electrical connection is provided
- Water supply connection provided
- Dimensions of WC ceramic appliance checked in view of use with AquaClean 4000 shower toilet (sample template 998.425.00.0)



A permanent power supply must be provided for the AquaClean 4000 shower toilet. For this reason the AquaClean 4000 must be installed without an upstream mains isolating switch.

### Establishing the water supply connection with an exposed cistern

It depends on the type of water supply connection whether or not a water supply connection set is required. The following water supply connection sets are available:

- Water supply connection to the side on the left → Standard connection set included
- Water supply connection to the rear in the centre → Water supply connection set art. no. 115.438.00.1
- Water supply connection to the side on the right → Water supply connection set art. no. 240.396.00.1

1

Determine the position of the water supply connection (left side, rear centre, right side)

2

Check if the correct water supply connection set is at hand

3

Establish the water supply connection according to the supplied installation instructions

### Establishing the water supply connection with a concealed cistern

It depends on the type of cistern whether a water supply connection set is required. The following water supply connection sets are available:

- UP300 / UP320 concealed cistern with conduit pipe → Water supply connection set art. no. 249.801.00.1
- UP200 concealed cistern element height 82 cm with conduit pipe → Water supply connection set art. no. 240.634.00.1
- UP200 concealed cistern element height 98 cm with conduit pipe → Water supply connection set art. no. 240.635.00.1

For an external connection, the following water supply connection set is available:

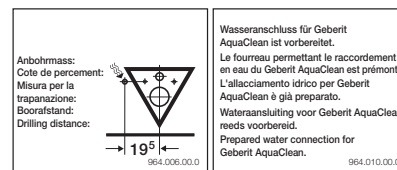
- Water supply connection set, conventional, article no. 242.553.00.1

1

Check whether the concealed cistern is already equipped with a conduit pipe



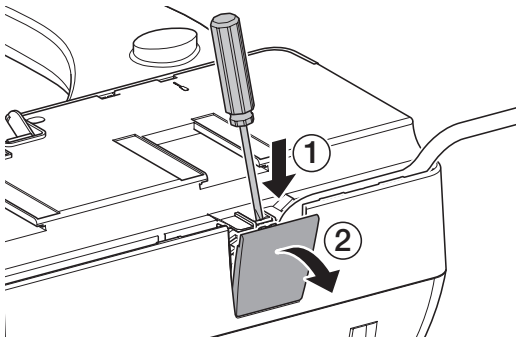
The sticker on the protection plate under the actuator plate indicates if the concealed cistern is equipped with a conduit pipe. If the cistern is not equipped with a pre-mounted conduit pipe, the water supply connection can be established visibly over tiles / plaster or through an external connection.



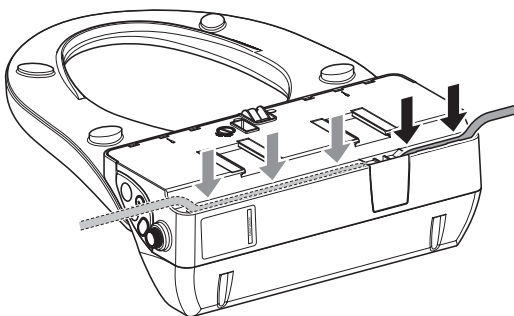
- 2** Check the type of concealed cistern and the element height
- 3** Check if the correct water supply connection set is at hand
- 4** Establish the water supply connection according to the supplied installation instructions

### Installing the AquaClean 4000 on the WC ceramic appliance

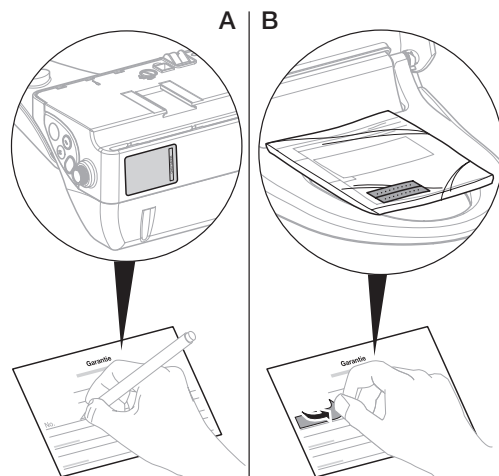
- 1** Check on which side of the WC ceramic appliance the mains connection is located
- 2** Check length of mains connection cable
- 3** If the mains connection cable must be shortened or a longer mains connection cable must be connected, remove the cover of the electrical connection



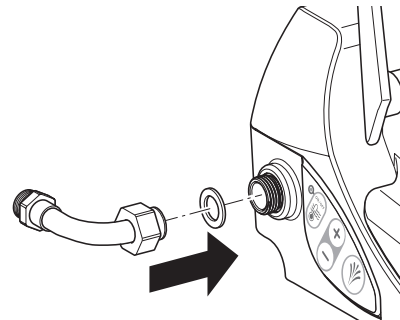
- 4** According to the position of the mains connection, install the mains cable on the underside on the left or on the right



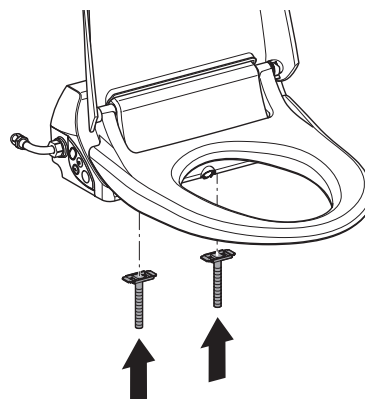
- 5** Read the serial number from the specification plate and transfer it to the guarantee card (A) or otherwise remove the sticker from the packing of the end customer documents and attach it to the guarantee card (B)



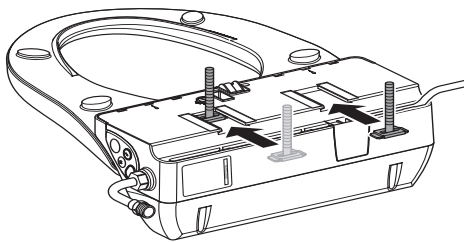
- 6** Screw the connection bend onto the valve



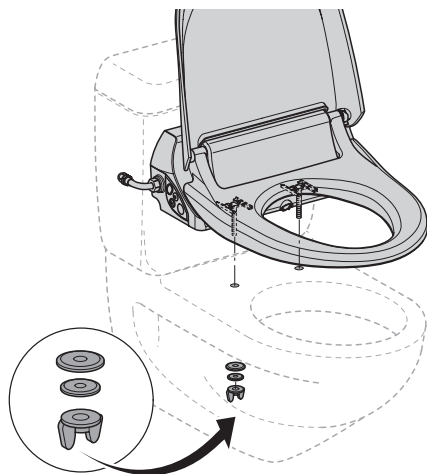
- 7** Position the fastening screws



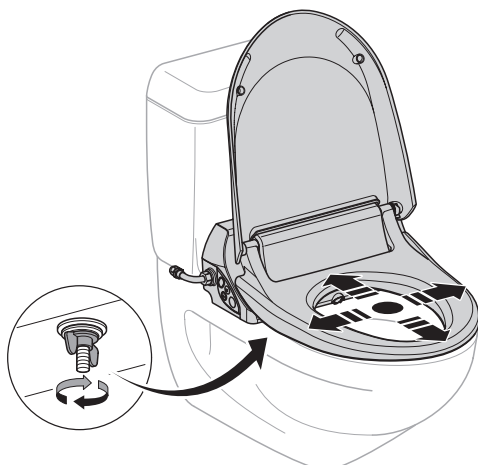
**8** Insert the fastening screws



**9** Put the AquaClean 4000 shower toilet with the fastening screws onto the WC ceramic appliance and loosely tighten the wing nuts



**10** Align the AquaClean 4000 shower toilet and tighten the wing nuts to 1.5 - 2.2 Nm



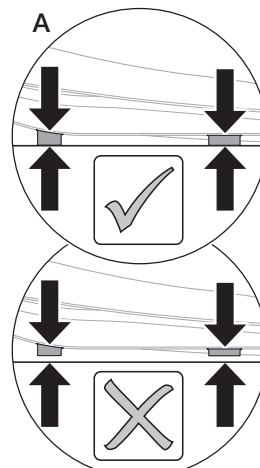
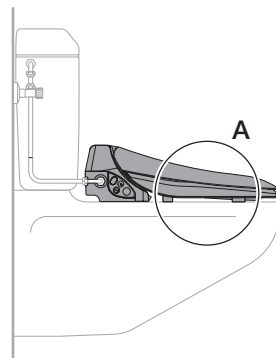
**11**



The AquaClean 4000 can be damaged if the compensation pads do not lie evenly on the WC ceramic appliance.

Check the position of the compensation pads and replace them if necessary

**Art. 242.174.00.1**  
**2 x 3 mm 2 x 7 mm**



**Result**

AquaClean 4000 is installed on the WC ceramic appliance.

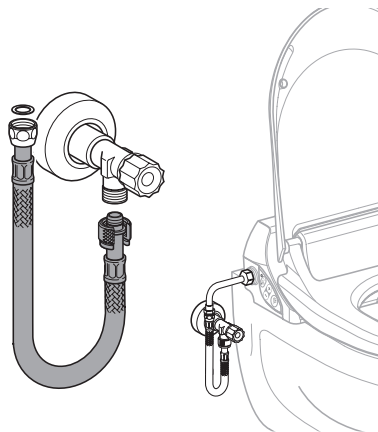
## Connecting the AquaClean 4000 to the water supply connection

The AquaClean 4000 shower toilet is connected in different ways, depending on the type of water supply connection of the concealed or exposed cistern.

### Prerequisites

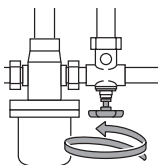
Water supply connection of concealed or exposed cistern has been established.

**i** With concealed cisterns, the AquaClean 4000 shower toilet can be connected to the angle stop valve according to the installation instructions supplied with the water supply connection set.

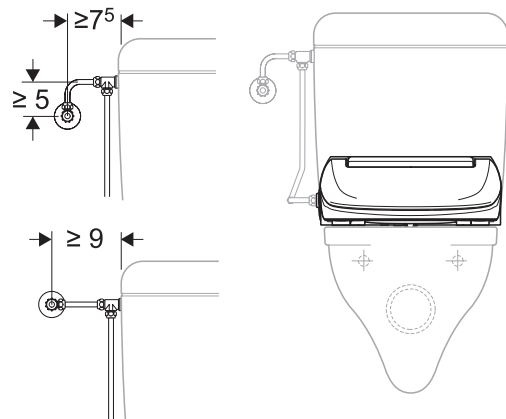


**i** With exposed cisterns, the AquaClean 4000 shower toilet can be connected to the angle stop valve according to the following steps or to the installation instructions supplied with the water supply connection set.

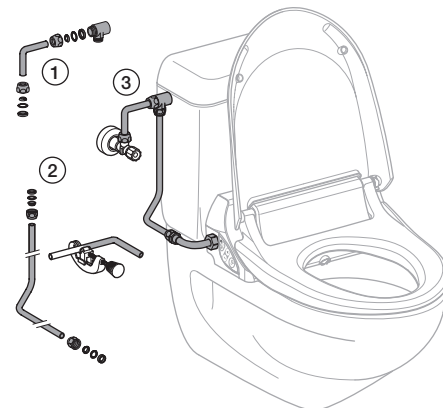
**1** Close the central water tap



**2** Measure the water supply connection



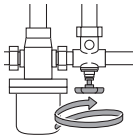
**3** Connect the water supply connection to the connector bend



**4** Loosen the connection bend of the AquaClean 4000 and turn it downwards



**5** Open the central water tap



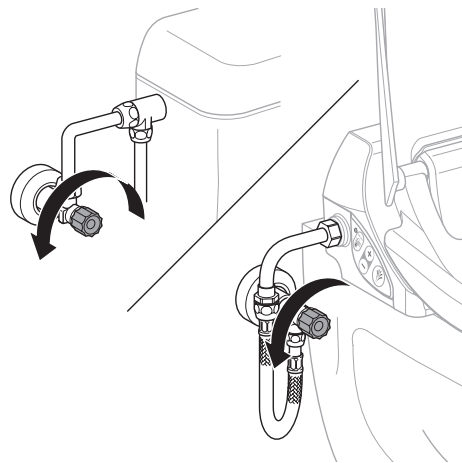
**6** Open the angle stop valve and flush the pipe



**7** Close the angle stop valve again, turn the connection bend upwards and connect it to the AquaClean 4000 shower toilet



**8** Open the angle stop valve



### Result

The AquaClean 4000 has now been connected to the water supply connection.

## Tests after installation

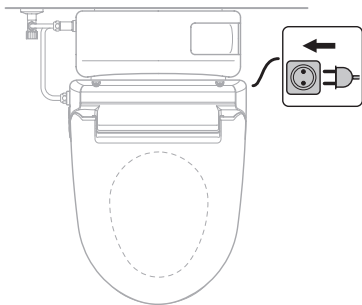
### Testing the functions

#### Prerequisites

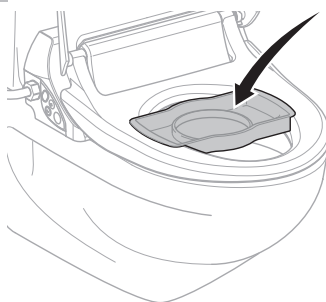
The AquaClean 4000 shower toilet is mounted on a WC ceramic appliance and connected to the water supply connection.

**i** The AquaClean 4000 does not have a mains switch and is switched when it is connected to the power supply system.

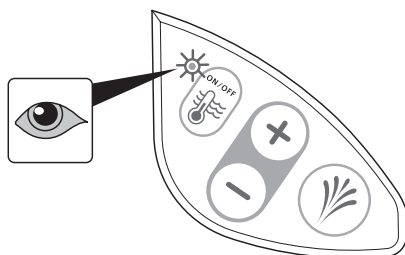
- 1** Connect the mains plug



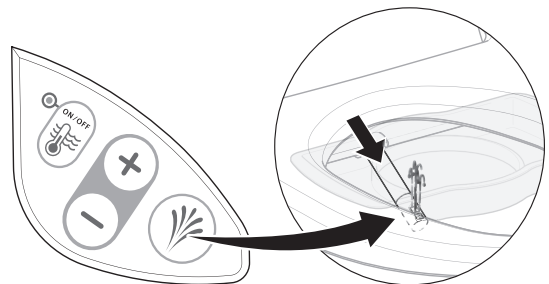
- 2** Place the spray shield on the seat



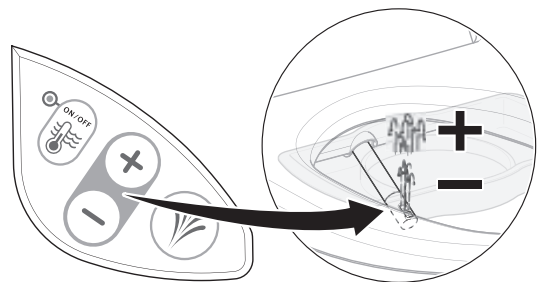
- 3** Check the status of the boiler heating: LED lights up blue, boiler heating is on (factory setting)



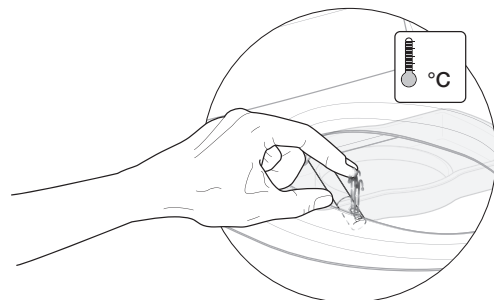
- 4** Press the <shower button>: The spray arm is extended, the shower starts



- 5** Increase or decrease the spray intensity by pressing the <+> or <-> buttons



- 6** Wait for 3 minutes, press the <shower button> again and check whether the shower water is at body temperature



#### Result

All functions successfully tested.

## Start-up operation

### Making the AquaClean 4000 ready for use

#### Prerequisites

Functions have been successfully tested.

- 1 Remove the spray shield



- 2 Clean the AquaClean 4000

#### Result

The AquaClean 4000 is ready for operation.

## Acceptance

### Handing over the AquaClean 4000 to the customer

#### Prerequisites

The AquaClean 4000 is ready for operation.

- 1 Instruct customer about operation
- 2 Explain service notes and cleaning instructions to the customer
- 3 Hand end-user documentation to the customer
- 4 Fill in the guarantee card together with the customer (end-user documentation) and send it to Geberit