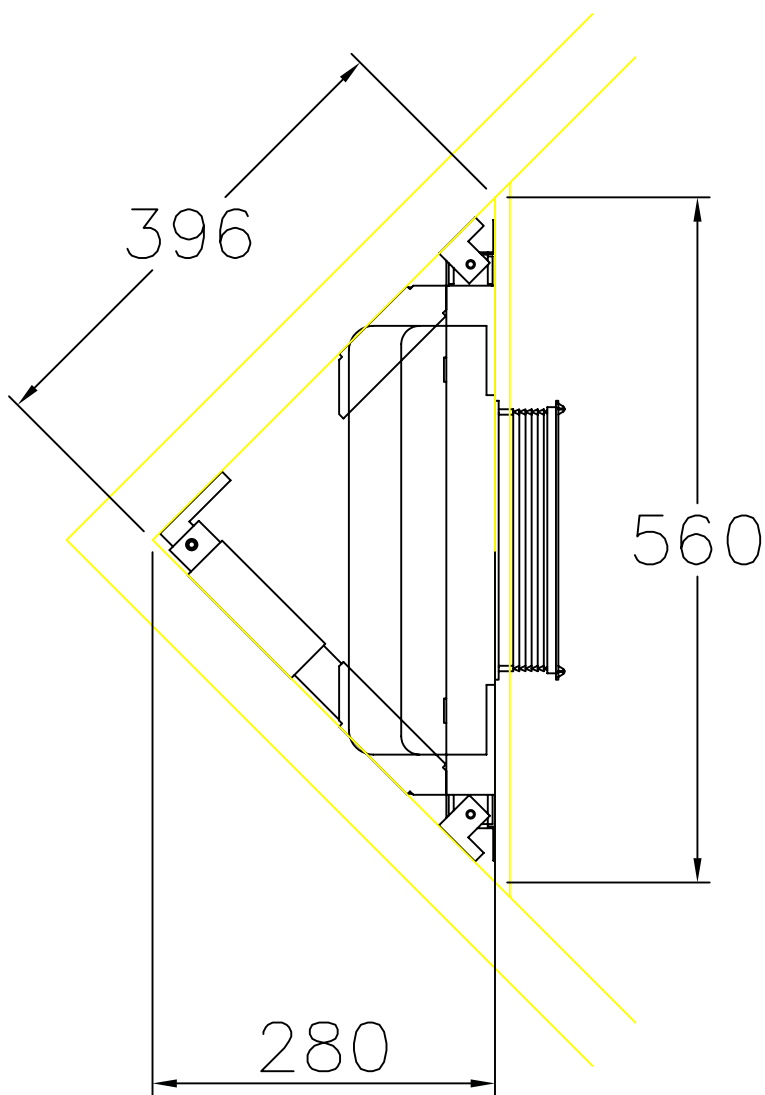


client	drawn BS	date 05.11.03
	scale NTS	sheet no.
title Corner Frame Ref: 111.390.00.1 in tightest situation with minimum dimensions.	area rep	



111.390.00.1