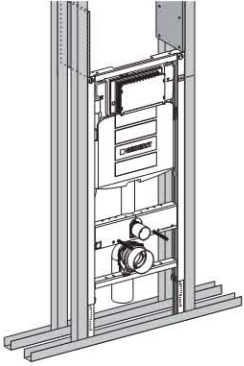


Overview

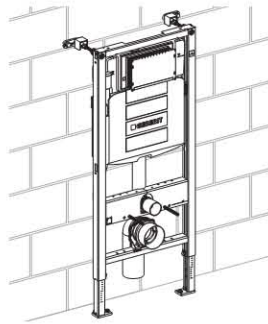
For cladding both Dry Wall and Pre Wall installations we recommend the use of 1 x 12.5 mm moisture and fire resistant plasterboard or 2 x 12.5 mm standard plasterboard.

Duofix - Dry Wall



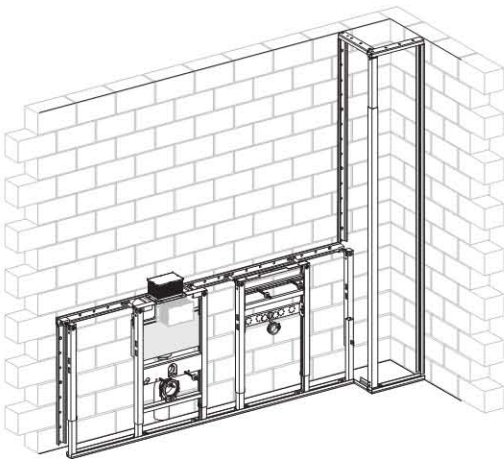
In stud wall

Duofix - PreWall



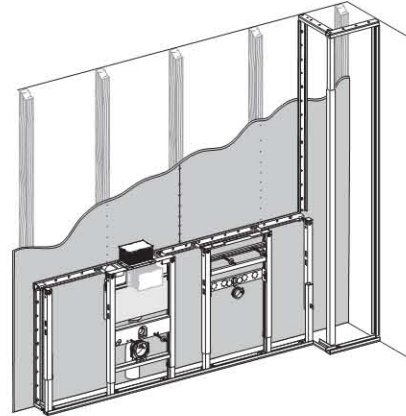
PreWall fixing offers the ability to construct a duct in front of an existing wall to hide plumbing and drainage.

Duofix - PreWall System



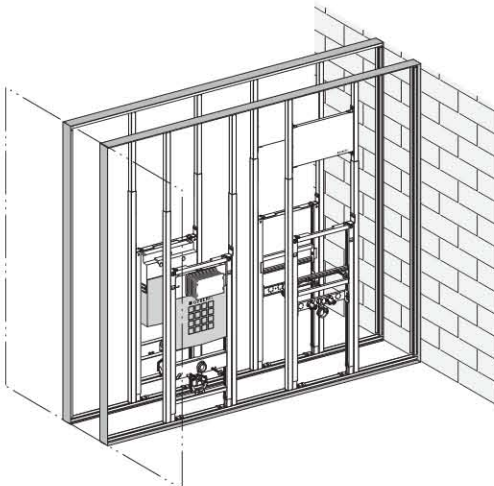
The addition of system rail offers a more integrated look and simplifies cladding and tiling.

Duofix - PreWall System - Plasterboard



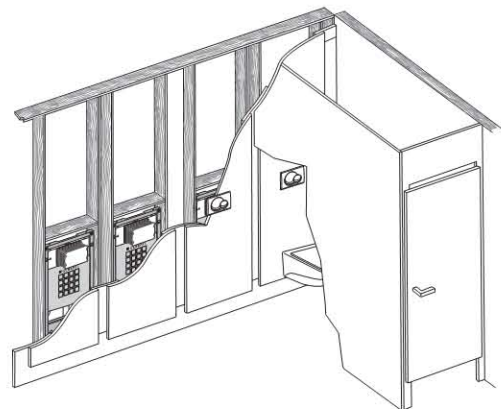
The use of system rail also offers the opportunity to install Duofix in front of plaster stud walls. NB. Plasterboard has to be at least 18 mm thick.

Duofix - Full Height System



Full height Duofix telescopic studs enable you to create a load bearing stud wall.

Duofix in Panels

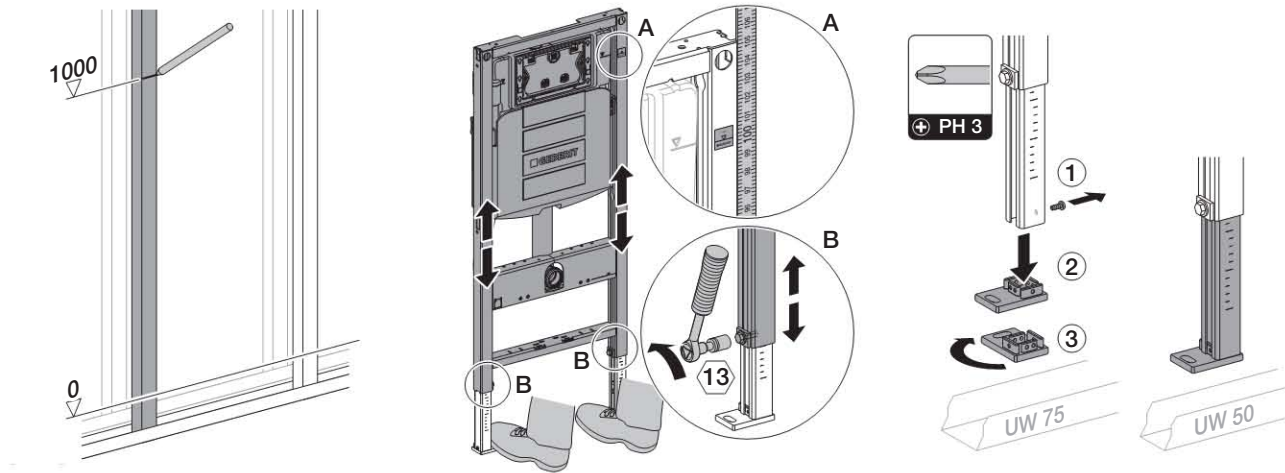


Speak to us about our partnership with panelling system manufacturers when you need access behind the wall to plumbing and services.

Note: Installation videos can be found at www.geberit.co.uk

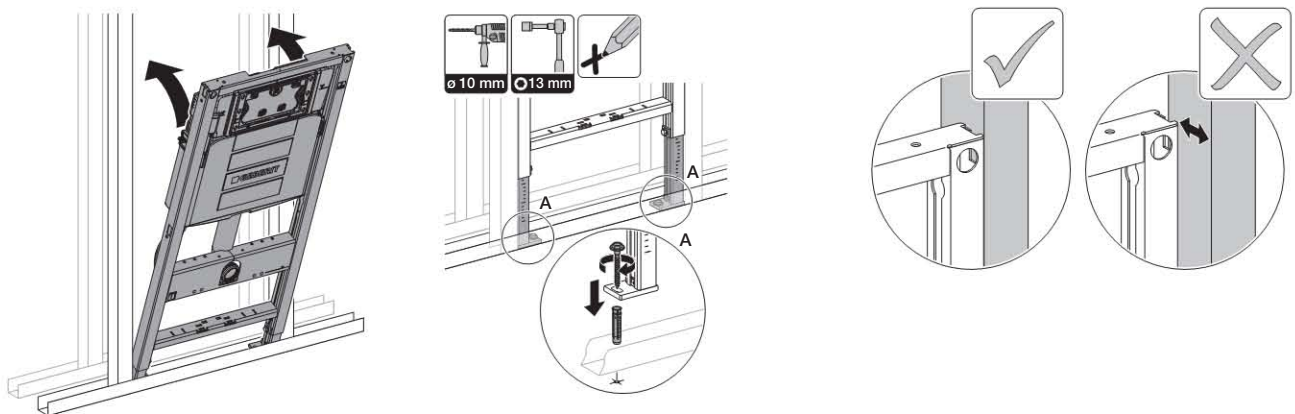
Duofix in dry wall

1.



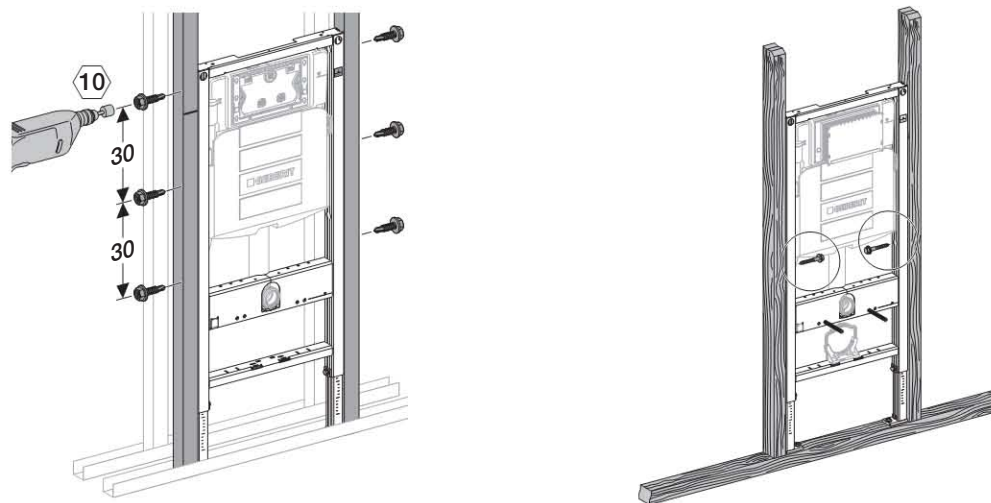
The 1.12 m high frames have a 1 metre mark on the frame to assist levelling and installation. The 0.98 m and 0.82 m high frames should be measured from the finished floor level to the top of the frames. Height measurements must be set from the finished floor level. The feet are adjustable by 200 mm and can be unscrewed and turned through 90 degrees if required.

2.



It is very important that the frame is fixed so that the front of the frame is level with the front of the studs.

3.

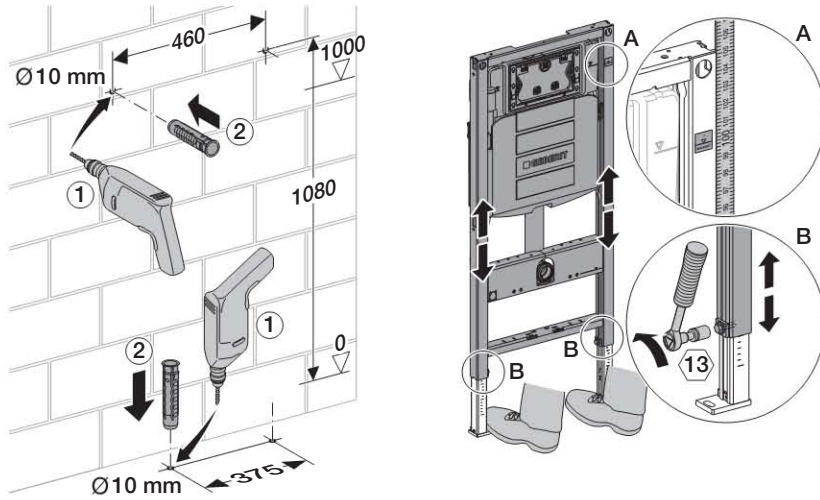


Once levelled and feet have been adjusted and secured the frame can be fixed into the studs with screws provided.

Fixing in wooden studs

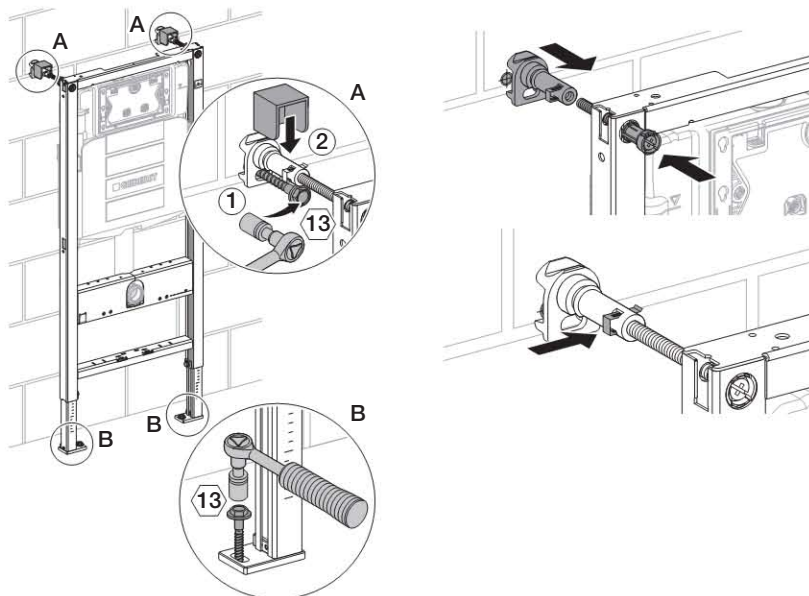
Duofix in PreWall

1.



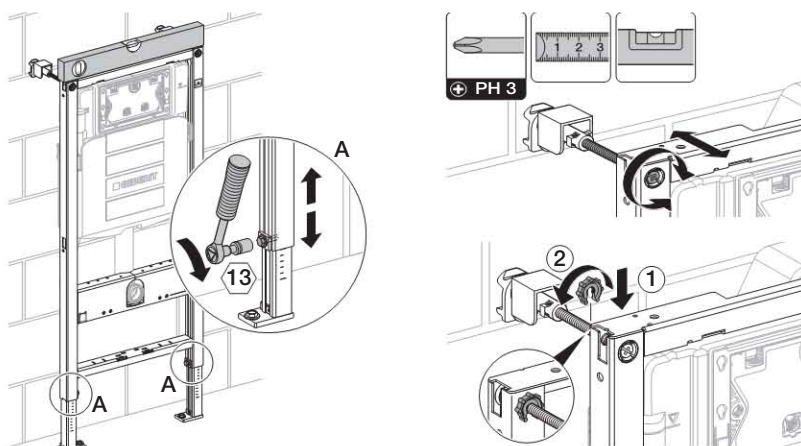
Measure and mark wall taking into account finished floor levels. Drill wall and floor fixing holes.

2.



Fit PreWall brackets to frame together with plastic packing piece. Secure and tighten wall and feet fixings.

3.

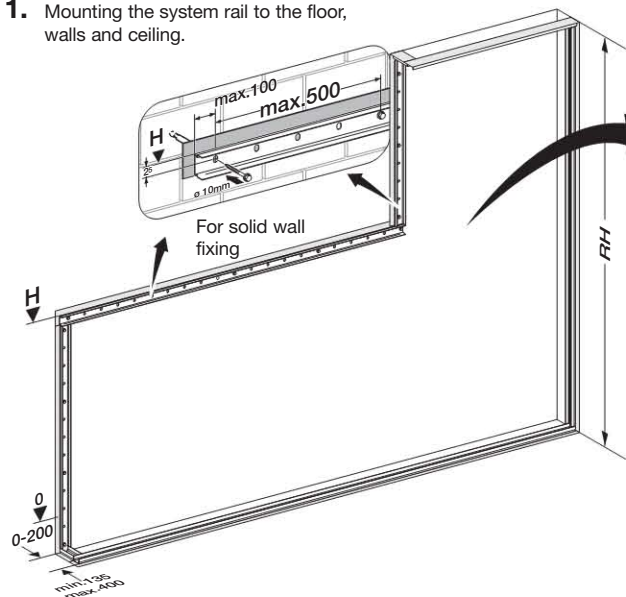


Make final adjustments to level and depth measurement before fixing plastic locking nut.

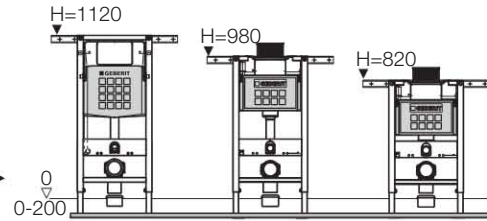
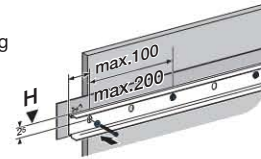
Duofix PreWall system

The use of system rail makes for a more integrated look and makes cladding and hiding drainage and supply pipework easy. It also allows for Duofix frames to be installed against plasterboard stud walls (Plasterboard must be at least 18 mm thick).

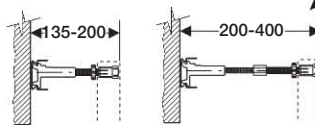
1. Mounting the system rail to the floor, walls and ceiling.



For plasterboard fixing

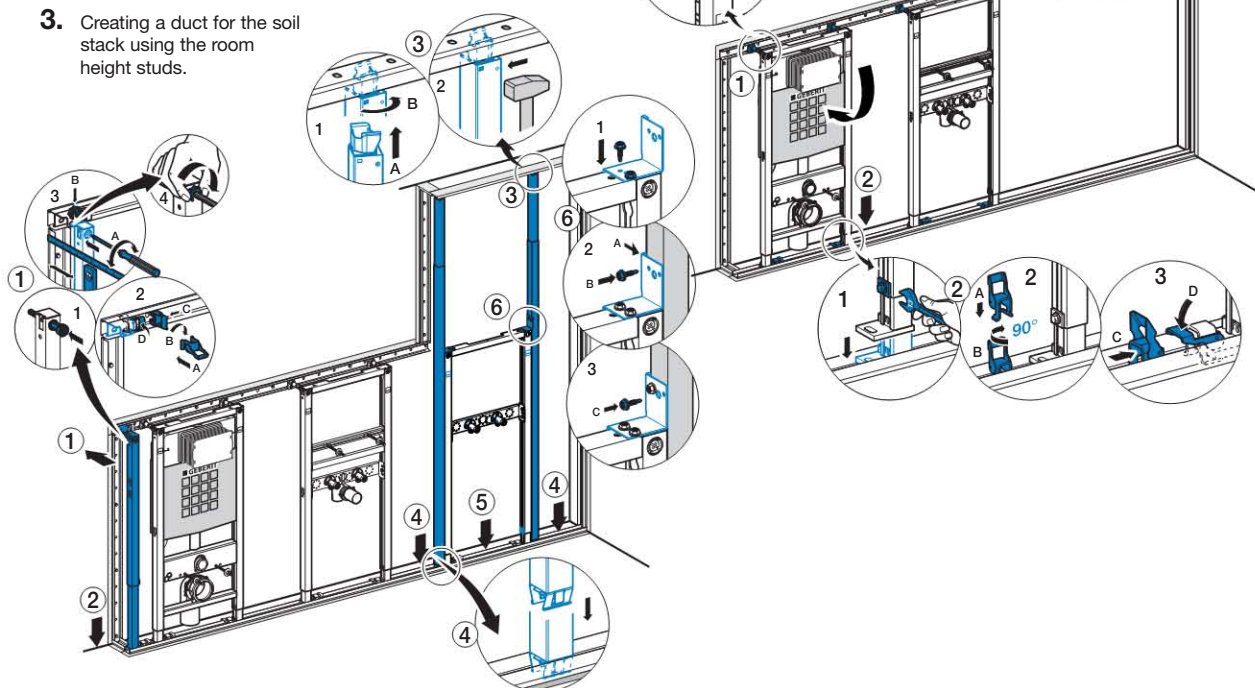


Art. Nr. 111.887.00.1



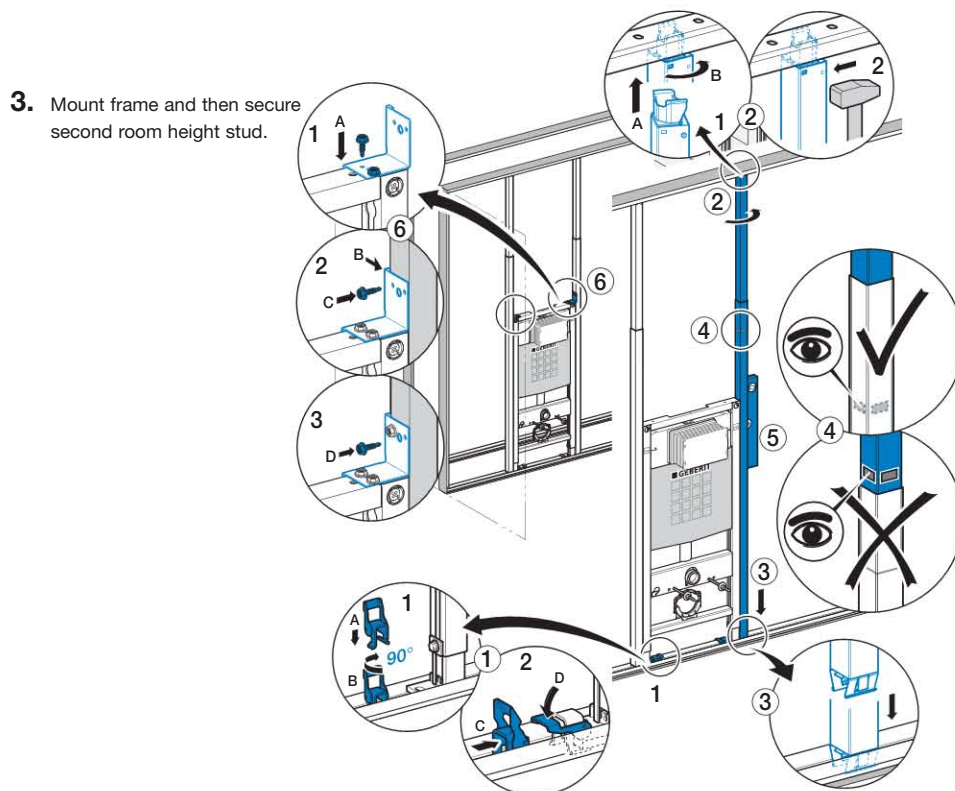
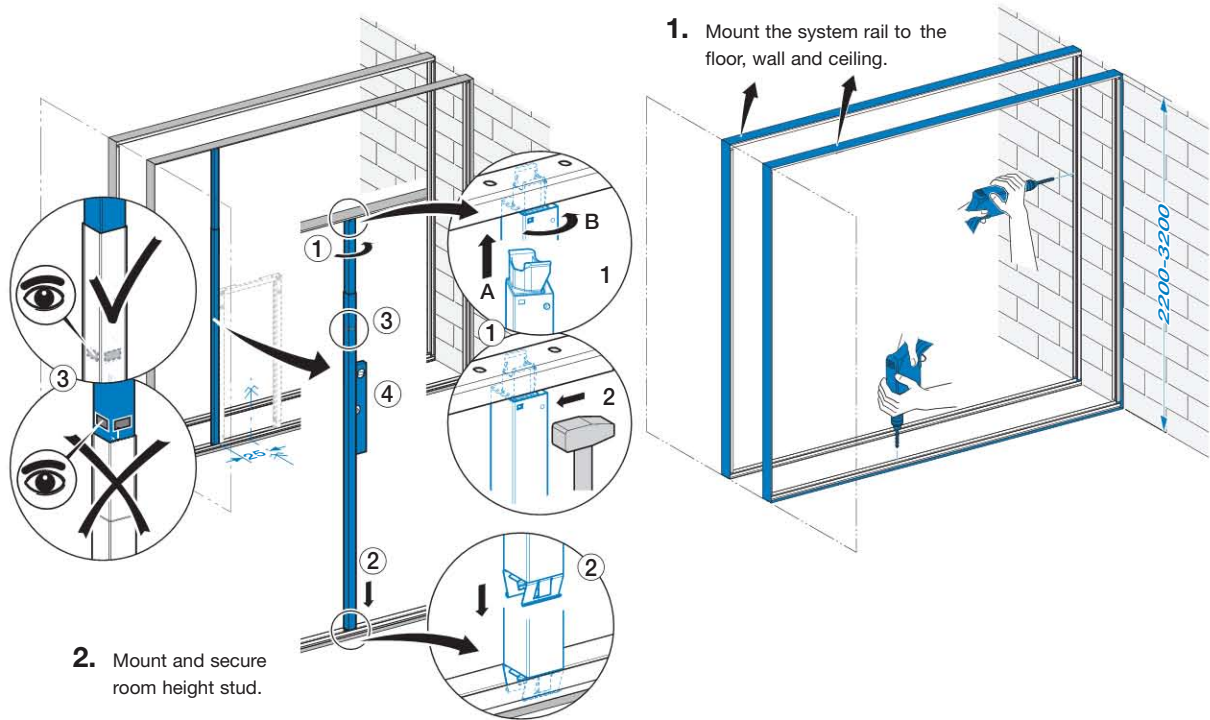
2. Mounting the frames to the rail.

3. Creating a duct for the soil stack using the room height studs.



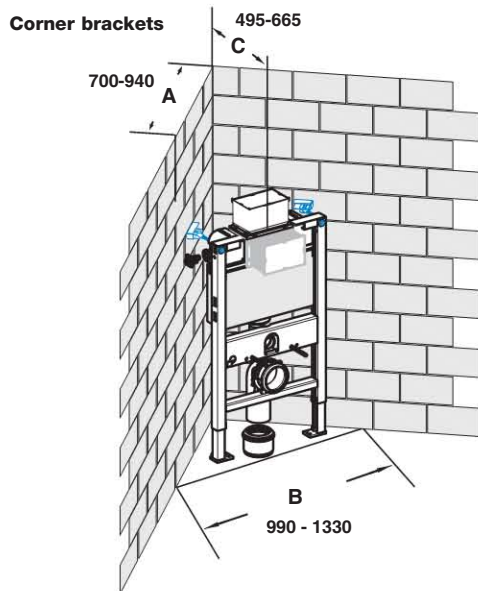
Duofix system full height

The use of new room height studs together with system rail allows you to build a self supporting internal Dry Wall or PreWall.



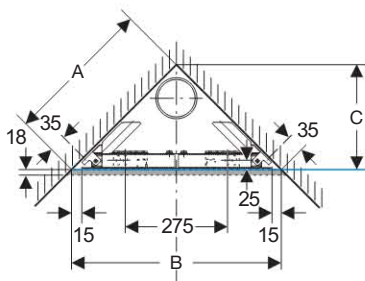
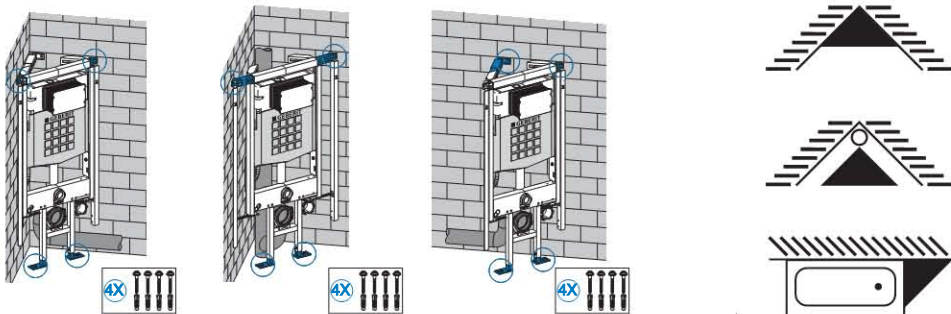
Corner applications

1.12 m Standard frame with corner brackets



Corner PreWall brackets (111.835.00.1) can be used for all Duofix frames in corner installations, enabling greater use of space.

1.12 m Corner frame universal

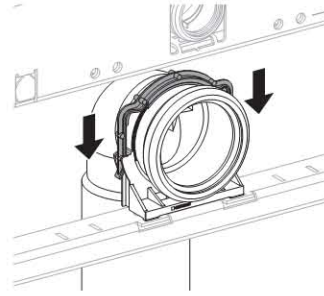


A	396	403	410	417	424	431	438	445	452	459	466	473	480	487	495	502	509	515	523	530	537
B	560	570	580	590	600	610	620	630	640	650	660	670	680	690	700	710	720	730	740	750	760
C	280	285	290	295	300	305	310	315	320	325	330	335	340	345	350	355	360	365	370	375	380

For extra space saving and different installation possibilities, this frame is completely adjustable with angle to the wall range of 30-60 degrees.

Waste and drainage connection

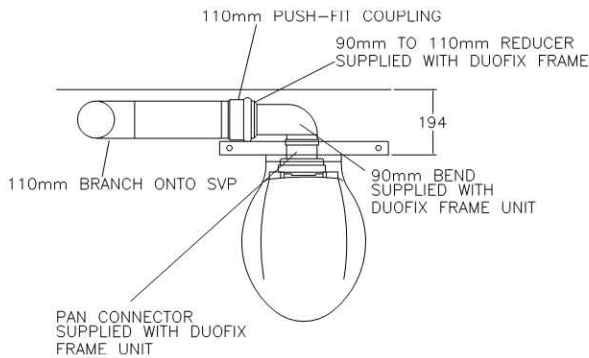
To enable you to get the maximum benefits when using Duofix installation systems it is important that the right waste and drainage connections are made. At Geberit as well as having over 100 years experience in installation systems, we are also one of the leading European manufacturers of waste and drainage products. The following pages detail the requirements for installation of WC and urinal elements. We have also included reference numbers of our Geberit HDPE ranges to make ordering easier.



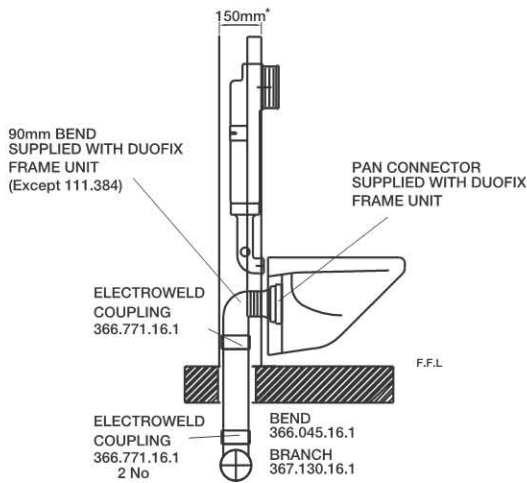
Geberit Duofix connectors are specifically designed to secure into the Geberit frame as shown in this picture.

WC

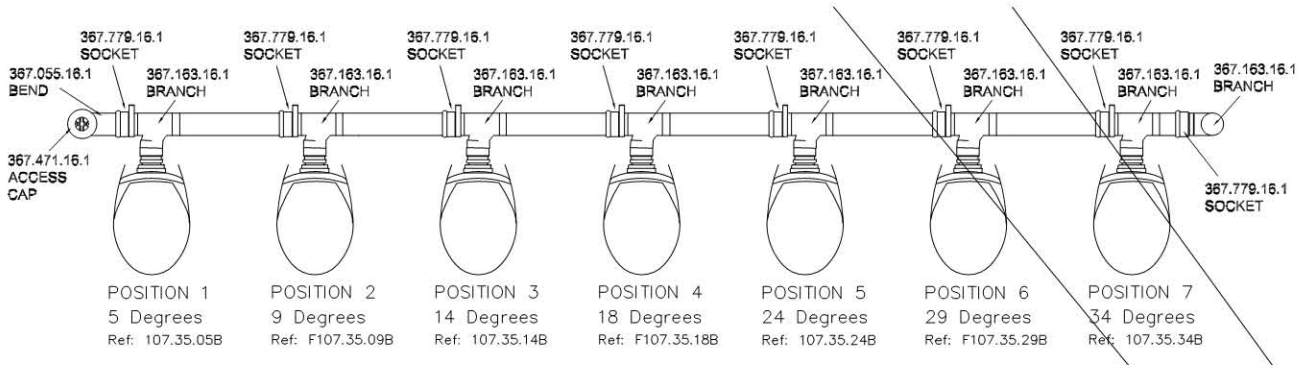
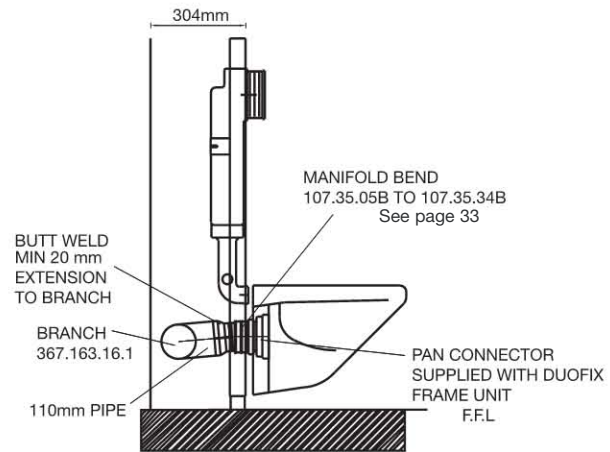
Single WC with connection above floor level



Multi or single WC with connection into float below floor level



Multi WC with connection into float above floor level

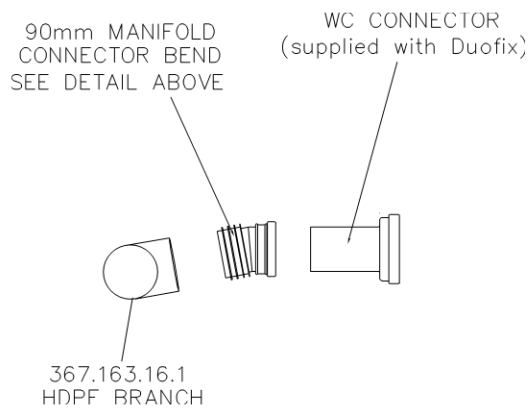


Installation Guide

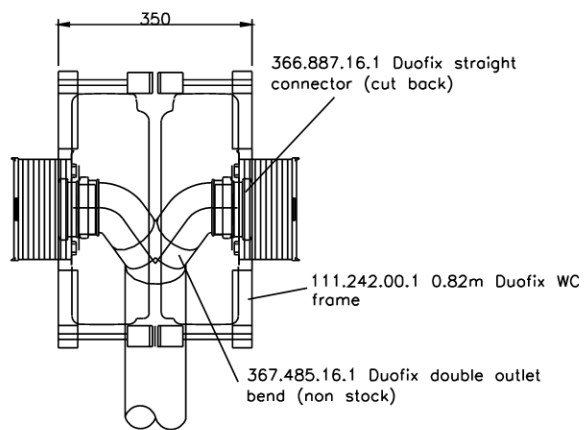
Waste and drainage connection

WC

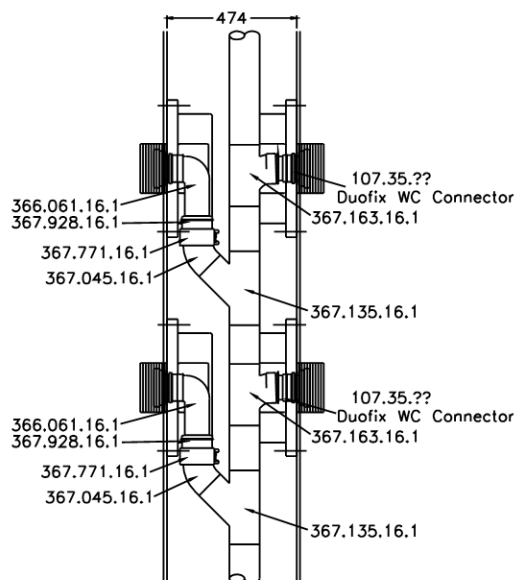
Exploded view of WC connector fittings



Back to back WC frames (single frames)



Back to back WC frames



Urinal

